

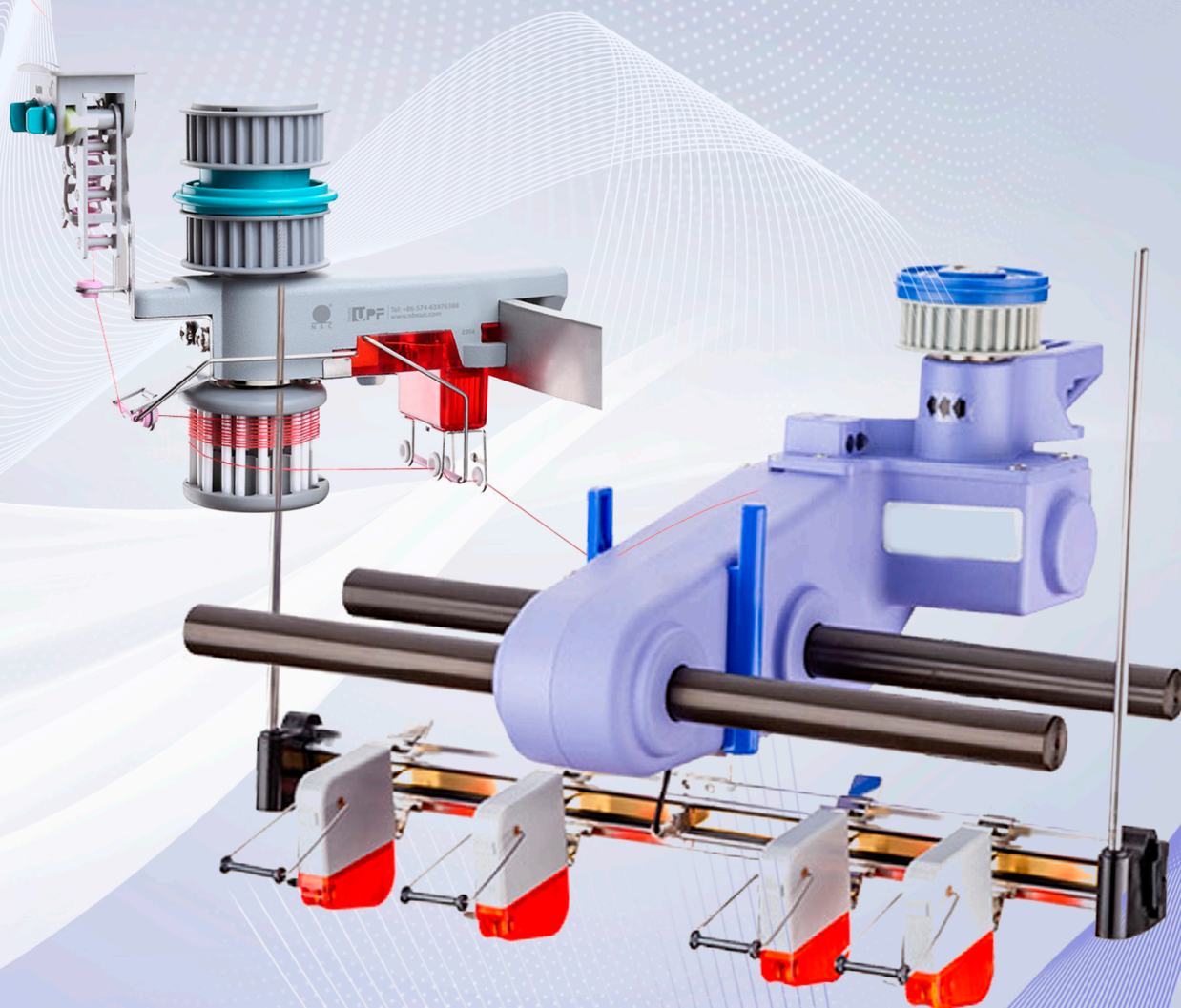
CORTEX

REPRESENTACIONES INDUSTRIALES

www.cortex-mexico.com

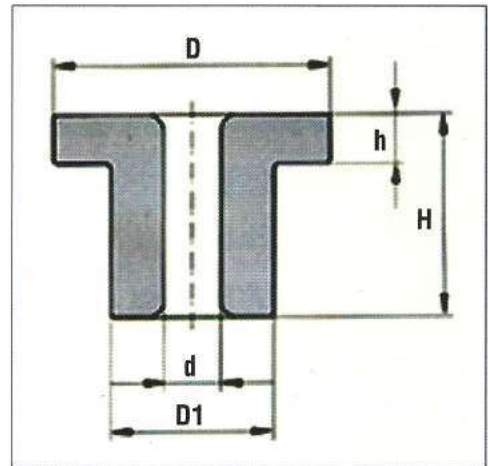
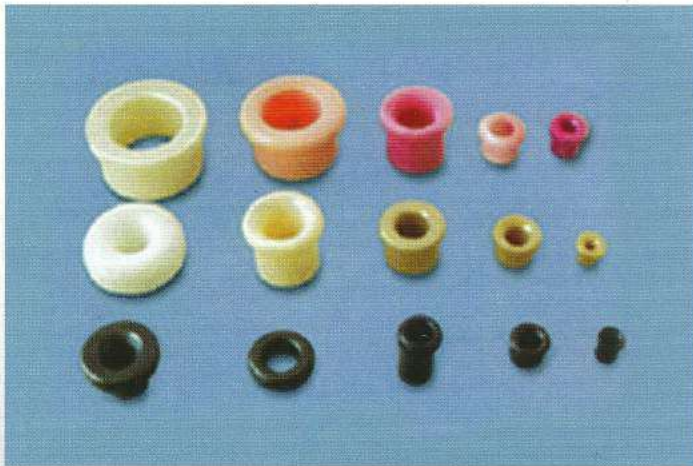
REFACCIONES

PRODUCT CATALOGUE



Ventas. Tel. 2451 9557 / 2451 9558

| ventascortex@gmail.com



| Art No. | D | D1 | d | H | h |
|---------|------|------|-----|------|-----|
| 0101 | 2.5 | 1.95 | 1.1 | 16 | 1 |
| 0102 | 2.6 | 1.8 | 0.8 | 2 | 0.4 |
| 0103 | 2.6 | 1.8 | 0.8 | 11.5 | 1 |
| 0104 | 2.6 | 1.85 | 1.3 | 8 | 1 |
| 0105 | 2.75 | 2 | 1.3 | 9.8 | 0.8 |
| 0106 | 2.8 | 2.1 | 1.3 | 9.6 | 0.8 |
| 0107 | 3 | 2 | 1 | 5 | 1 |
| 0108 | 3 | 2 | 1 | 12 | 1 |
| 0109 | 3 | 2.3 | 1.3 | 7.2 | 1.1 |
| 0110 | 3 | 2.3 | 1.3 | 10.5 | 1 |
| 0111 | 3 | 2.3 | 1.3 | 14 | 1.5 |
| 0112 | 3 | 2.5 | 1.5 | 2.5 | 1 |
| 0113 | 3.1 | 2 | 1 | 5 | 1 |
| 0114 | 3.1 | 2.3 | 1.5 | 5 | 1 |
| 0115 | 3.2 | 2.2 | 1.2 | 5.8 | 0.8 |
| 0116 | 3.3 | 2.5 | 1.6 | 11 | 1 |
| 0117 | 3.5 | 2.5 | 1.8 | 1.5 | 1 |
| 0118 | 3.5 | 2.5 | 1.5 | 2.5 | 1 |
| 0119 | 3.5 | 2.5 | 0.4 | 4 | 1 |
| 0120 | 3.5 | 2.5 | 1.6 | 11 | 1 |
| 0121 | 3.5 | 2.8 | 1.8 | 13 | 1.5 |
| 0122 | 3.6 | 2.4 | 1.6 | 2.5 | 1 |
| 0123 | 3.8 | 2.3 | 1.3 | 6.1 | 1.3 |
| 0124 | 3.8 | 2.5 | 1.5 | 3.2 | 1.2 |
| 0125 | 3.8 | 2.5 | 1.5 | 3.6 | 1 |
| 0126 | 3.8 | 2.5 | 1.5 | 4 | 1 |
| 0127 | 3.8 | 2.5 | 1.5 | 5 | 1 |
| 0128 | 3.8 | 2.5 | 1.5 | 5.2 | 1.2 |
| 0129 | 3.8 | 2.5 | 1.5 | 5.3 | 1.3 |
| 0130 | 3.8 | 2.5 | 1.5 | 5.9 | 1.2 |
| 0131 | 3.8 | 2.5 | 1.5 | 6.7 | 1.2 |
| 0132 | 3.8 | 2.5 | 1.5 | 8 | 1.3 |

| Art No. | D | D1 | d | H | h |
|---------|-----|------|-----|------|-----|
| 0133 | 3.8 | 1.95 | 1.1 | 15 | 1 |
| 0134 | 4 | 1.8 | 0.8 | 6.8 | 1.3 |
| 0135 | 4 | 1.8 | 0.8 | 4.2 | 1.2 |
| 0136 | 4 | 1.85 | 1.3 | 3 | 1 |
| 0137 | 4 | 2 | 1.3 | 4 | 1 |
| 0138 | 4 | 2.1 | 1.2 | 5.5 | 0.5 |
| 0139 | 4.2 | 2 | 1 | 4.2 | 1.2 |
| 0140 | 4.2 | 2 | 1 | 2 | 1 |
| 0141 | 4.2 | 2.3 | 1.3 | 3 | 1 |
| 0142 | 4.2 | 2.3 | 1.3 | 3 | 1 |
| 0143 | 4.2 | 2.3 | 1.3 | 4 | 1 |
| 0144 | 4.2 | 2.5 | 1.5 | 4.2 | 1.2 |
| 0145 | 4.2 | 2 | 1 | 4.2 | 1.2 |
| 0146 | 4.2 | 2.3 | 1.5 | 5 | 1 |
| 0147 | 4.3 | 2.2 | 1.2 | 4.35 | 1.2 |
| 0148 | 4.3 | 2.5 | 1.6 | 3.1 | 1 |
| 0149 | 4.3 | 2.5 | 1.8 | 2.4 | 0.4 |
| 0150 | 4.4 | 2.5 | 1.5 | 2.9 | 1 |
| 0151 | 4.5 | 2.5 | 0.4 | 3 | 1 |
| 0152 | 4.5 | 2.5 | 1.6 | 3 | 1 |
| 0153 | 4.5 | 2.8 | 1.8 | 5 | 1 |
| 0154 | 4.5 | 2.4 | 1.6 | 3 | 1 |
| 0155 | 4.5 | 2.3 | 1.3 | 3.2 | 1 |
| 0156 | 4.5 | 2.5 | 1.5 | 3.5 | 1 |
| 0157 | 4.5 | 2.5 | 1.5 | 3.8 | 1.2 |
| 0158 | 4.6 | 2.5 | 1.5 | 3 | 1 |
| 0159 | 4.7 | 2.5 | 1.5 | 6.5 | 1.2 |
| 0160 | 4.8 | 2.5 | 1.5 | 3 | 2 |
| 0161 | 4.8 | 2.5 | 1.5 | 3 | 1 |
| 0162 | 4.8 | 2.5 | 1.5 | 3.2 | 1.2 |
| 0163 | 4.8 | 2.5 | 1.5 | 4 | 1 |
| 0164 | 4.8 | 2.5 | 1.5 | 4 | 1 |

| Art No. | D | D1 | d | H | h |
|---------|-----|-----|------|-----|-----|
| 0165 | 4.8 | 2.8 | 1.2 | 4.2 | 1.2 |
| 0166 | 4.8 | 3.3 | 1.5 | 5 | 1.2 |
| 0167 | 4.9 | 2.9 | 11.6 | 3.1 | 1.1 |
| 0168 | 4.9 | 2.9 | 1.5 | 4.2 | 1.2 |
| 0169 | 5 | 2.9 | 1.5 | 7.5 | 1 |
| 0170 | 5 | 3 | 1.8 | 2.1 | 2.1 |
| 0171 | 5 | 3 | 1.5 | 4 | 1 |
| 0172 | 5 | 3.8 | 1.5 | 4 | 1 |
| 0173 | 5 | 4 | 2.5 | 4 | 1 |
| 0174 | 5 | 4 | 2.7 | 4 | 1 |
| 0175 | 5 | 4 | 2.5 | 5 | 1 |
| 0176 | 5 | 4.2 | 3 | 2.5 | 0.5 |
| 0177 | 5 | 4.2 | 2 | 5 | 1 |
| 0178 | 5.5 | 4 | 2 | 3 | 1 |
| 0179 | 5.8 | 2.9 | 1.5 | 3 | 1 |
| 0180 | 5.8 | 4.2 | 2.1 | 4 | 1 |
| 0181 | 5.9 | 4.3 | 2 | 7.1 | 1.2 |
| 0182 | 6 | 3.5 | 1.6 | 4.5 | 1 |
| 0183 | 6 | 3.6 | 1.8 | 5 | 1 |
| 0184 | 6 | 3.6 | 1.8 | 5.2 | 1.2 |
| 0185 | 6 | 3.8 | 1.8 | 3.5 | 1 |
| 0186 | 6 | 4 | 3 | 4 | 1 |
| 0187 | 6 | 4 | 2 | 5.5 | 1 |
| 0188 | 6 | 4.2 | 2.5 | 3.1 | 1.5 |
| 0189 | 6 | 4.2 | 2.5 | 3.2 | 1.2 |
| 0190 | 6 | 4.2 | 2.5 | 3.5 | 1 |
| 0191 | 6 | 4.7 | 2.5 | 5 | 1 |
| 0192 | 6.3 | 3.5 | 2 | 5 | 1 |
| 0193 | 6.5 | 4.5 | 2.5 | 3 | 1 |
| 0194 | 6.5 | 4.5 | 2.5 | 3.5 | 1 |
| 0195 | 6.5 | 4.5 | 2 | 5 | 1.5 |
| 0196 | 6.5 | 4.8 | 3.3 | 3.5 | 1.5 |
| 0197 | 6.5 | 5 | 3 | 2.5 | 1 |
| 0198 | 6.5 | 5 | 3 | 4 | 1 |
| 0199 | 6.5 | 5 | 2.5 | 7 | 2 |
| 0200 | 6.6 | 4.8 | 3.6 | 3 | 1 |
| 0201 | 6.7 | 5 | 3 | 4 | 1 |
| 0202 | 6.8 | 4.6 | 3 | 6.7 | 1.5 |
| 0203 | 7 | 3.8 | 2 | 4 | 1.5 |
| 0204 | 7 | 5 | 2.5 | 4.2 | 1.4 |
| 0205 | 7 | 5 | 2 | 7 | 2 |
| 0206 | 7 | 5.3 | 3.5 | 5.2 | 1.3 |
| 0207 | 7.2 | 5.2 | 3.1 | 7.5 | 2.5 |
| 0208 | 7.3 | 6.3 | 3.5 | 5 | 1 |
| 0209 | 7.3 | 6.3 | 3.5 | 12 | 1 |
| 0210 | 7.5 | 6 | 3.5 | 6 | 1 |
| 0211 | 7.5 | 6.5 | 4.25 | 4.5 | 1 |
| 0212 | 7.6 | 5.7 | 3.3 | 5.8 | 1.8 |

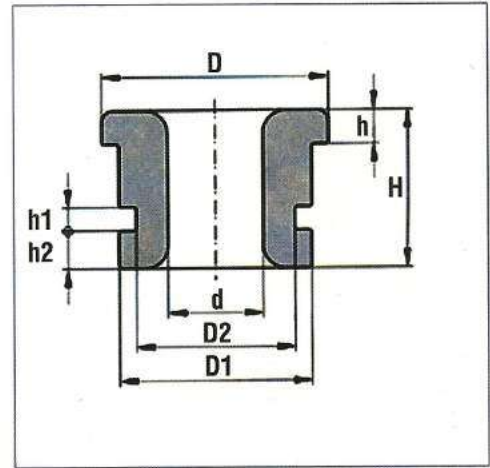
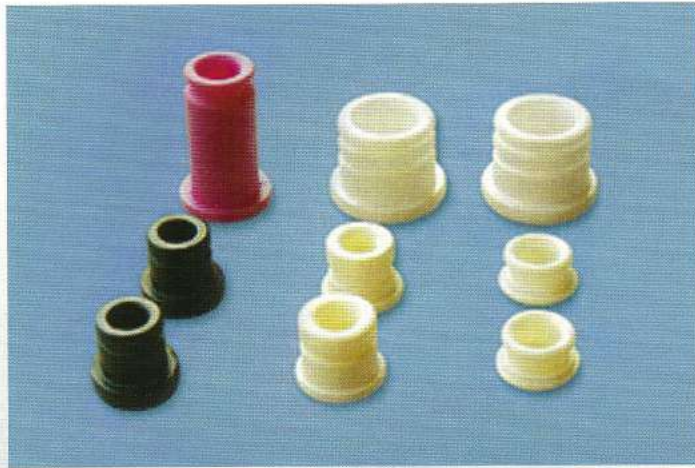
| Art No. | D | D1 | d | H | h |
|---------|-----|-----|-----|------|-----|
| 0213 | 7.7 | 6 | 3.5 | 2.7 | 1 |
| 0214 | 7.8 | 5.8 | 3.4 | 5 | 2 |
| 0215 | 7.8 | 6 | 3.6 | 11.7 | 1.6 |
| 0216 | 7.9 | 5.9 | 3.5 | 6 | 2 |
| 0217 | 8 | 4.7 | 2.5 | 21 | 3 |
| 0218 | 8 | 5 | 3.1 | 4.1 | 2.1 |
| 0219 | 8 | 5.6 | 2.5 | 5.5 | 1.5 |
| 0220 | 8 | 5.6 | 2.5 | 5.6 | 1.6 |
| 0221 | 8 | 5.8 | 3.5 | 5 | 2 |
| 0222 | 8 | 5.9 | 3 | 6.5 | 1.5 |
| 0223 | 8 | 6 | 3 | 6 | 2.5 |
| 0224 | 8 | 6 | 3 | 6 | 2 |
| 0225 | 8 | 6 | 3 | 8 | 2 |
| 0226 | 8 | 6 | 3 | 12 | 1.8 |
| 0227 | 8 | 6.2 | 3.4 | 5.5 | 2 |
| 0228 | 8 | 6.3 | 3.5 | 4.5 | 1 |
| 0229 | 8 | 7 | 5 | 3 | 1 |
| 0230 | 8 | 7 | 3 | 6 | 1.5 |
| 0231 | 8.3 | 6 | 3.2 | 8.2 | 2 |
| 0232 | 8.5 | 5.5 | 2.5 | 8 | 2.5 |
| 0233 | 8.7 | 7.2 | 3.2 | 5 | 1.8 |
| 0234 | 8.9 | 6.8 | 4 | 6.8 | 1.8 |
| 0235 | 9 | 6.4 | 3 | 8.7 | 4.2 |
| 0236 | 9 | 6.6 | 4 | 9 | 3 |
| 0237 | 9 | 6.9 | 4 | 9 | 2 |
| 0238 | 9 | 7 | 4 | 7 | 2 |
| 0239 | 9 | 7 | 4.5 | 7 | 2 |
| 0240 | 9 | 7 | 4.5 | 7 | 1.8 |
| 0241 | 9 | 7 | 4 | 8 | 2 |
| 0242 | 9 | 7 | 4 | 8.3 | 1.7 |
| 0243 | 9 | 7.5 | 4.5 | 7 | 2 |
| 0244 | 9.2 | 7 | 4.5 | 7 | 2 |
| 0245 | 9.5 | 6.6 | 3 | 8.3 | 2 |
| 0246 | 9.5 | 7.3 | 4 | 7.4 | 2 |
| 0247 | 9.6 | 7.5 | 5.5 | 10 | 2 |
| 0248 | 9.9 | 6.8 | 5 | 8 | 1.2 |
| 0249 | 10 | 6.8 | 4 | 10 | 2 |
| 0250 | 10 | 7.5 | 5 | 3 | 1 |
| 0251 | 10 | 7.5 | 5 | 5 | 2 |
| 0252 | 10 | 7.5 | 4 | 8 | 2 |
| 0253 | 10 | 7.5 | 2 | 8 | 2 |
| 0254 | 10 | 7.5 | 3 | 8 | 2 |
| 0255 | 10 | 7.5 | 5 | 8 | 2 |
| 0256 | 10 | 7.5 | 5 | 30 | 2 |
| 0257 | 10 | 7.6 | 5 | 4 | 1 |
| 0258 | 10 | 8 | 3.6 | 17 | 2 |
| 0259 | 10 | 8 | 5 | 7.6 | 2 |
| 0260 | 10 | 8 | 4.1 | 8.3 | 6.4 |

| Art No. | D | D1 | d | H | h |
|---------|------|------|-----|------|-----|
| 0261 | 10 | 8.1 | 4.1 | 8.3 | 1.9 |
| 0262 | 10 | 8.2 | 5.2 | 7 | 2 |
| 0263 | 10 | 8.25 | 5 | 5.5 | 1.5 |
| 0264 | 10.2 | 6 | 3.2 | 6.6 | 1.6 |
| 0265 | 10.2 | 6 | 4.2 | 10 | 2 |
| 0266 | 10.5 | 9 | 3.5 | 10.5 | 6 |
| 0267 | 10.6 | 8.2 | 5.2 | 8.2 | 2.3 |
| 0268 | 10.6 | 8.6 | 4 | 20 | 3 |
| 0269 | 10.7 | 6.4 | 3.7 | 19.5 | 2.5 |
| 0270 | 10.8 | 9.8 | 6.5 | 6 | 1 |
| 0271 | 11 | 4.9 | 3.8 | 8 | 1.5 |
| 0272 | 11 | 5 | 3.8 | 8 | 1 |
| 0273 | 11 | 8 | 6 | 5 | 2 |
| 0274 | 11 | 9 | 6 | 5.8 | 2.5 |
| 0275 | 11 | 9 | 6 | 6.7 | 2 |
| 0276 | 11.3 | 9.9 | 8.5 | 7 | 2 |
| 0277 | 11.5 | 9.2 | 5.5 | 8.5 | 1.5 |
| 0278 | 11.5 | 9.8 | 6.2 | 6 | 1 |
| 0279 | 11.7 | 9.5 | 5.5 | 7.9 | 2.2 |
| 0280 | 11.8 | 9.8 | 5 | 8.4 | 2 |
| 0281 | 12 | 7 | 3.5 | 5 | 2 |
| 0282 | 12 | 8.2 | 5.5 | 6.5 | 2.5 |
| 0283 | 12 | 8.5 | 4 | 10 | 2 |
| 0284 | 12 | 9 | 3.5 | 10.5 | 6 |
| 0285 | 12 | 9.5 | 6.2 | 4.4 | 2.4 |
| 0286 | 12 | 9.5 | 6.6 | 9 | 2 |
| 0287 | 12 | 9.5 | 6.2 | 9 | 2 |
| 0288 | 12 | 9.6 | 6.3 | 4.5 | 2 |
| 0289 | 12 | 9.7 | 4 | 12.5 | 5 |
| 0290 | 12 | 9.8 | 6.5 | 6 | 1 |
| 0291 | 12 | 9.8 | 7 | 6 | 2 |
| 0292 | 12 | 10 | 7.5 | 4.6 | 1.6 |
| 0293 | 12 | 10 | 7.5 | 4.6 | 3 |
| 0294 | 12 | 10 | 6 | 9 | 2 |
| 0295 | 12 | 10 | 5.5 | 10 | 3 |
| 0296 | 12 | 10 | 6 | 10 | 2 |
| 0297 | 12.2 | 7.6 | 6 | 5 | 1 |
| 0298 | 12.6 | 9.4 | 4.7 | 9.5 | 3 |
| 0299 | 13 | 9 | 4 | 7 | 2 |
| 0300 | 13 | 9.8 | 7 | 16 | 2.7 |
| 0301 | 13 | 10 | 5.3 | 9 | 3 |
| 0302 | 13 | 10 | 7.8 | 12 | 2.8 |
| 0303 | 13 | 15 | 10 | 19.8 | 5 |
| 0304 | 13.5 | 12.3 | 8.5 | 7 | 2 |
| 0305 | 13.8 | 9.8 | 6 | 7 | 2 |
| 0306 | 13.8 | 9.8 | 3.3 | 10 | 2.9 |
| 0307 | 14 | 9 | 4 | 7 | 3 |
| 0308 | 14 | 10 | 7 | 5 | 2 |

| Art No. | D | D1 | d | H | h |
|---------|------|------|------|------|-----|
| 0309 | 14 | 10 | 5.5 | 9 | 2 |
| 0310 | 14 | 10 | 5 | 20 | 4 |
| 0311 | 14 | 10.5 | 7 | 25 | 2.6 |
| 0312 | 14 | 10.7 | 7.5 | 12 | 2.8 |
| 0313 | 14.3 | 10 | 6.5 | 17 | 2 |
| 0314 | 14.7 | 7.9 | 4 | 12 | 4 |
| 0315 | 15 | 7.8 | 4 | 12 | 4 |
| 0316 | 15 | 9.4 | 6 | 20 | 3 |
| 0317 | 15 | 11.6 | 5 | 15 | 5 |
| 0318 | 15 | 12.2 | 7.5 | 13 | 2.5 |
| 0319 | 15.4 | 11.9 | 7.6 | 8.9 | 3.4 |
| 0320 | 15.4 | 11.9 | 7.6 | 8.9 | 2.3 |
| 0321 | 16 | 12 | 8 | 10.5 | 4 |
| 0322 | 16 | 12.5 | 8 | 8 | 2 |
| 0323 | 16 | 12.5 | 7.5 | 15 | 3 |
| 0324 | 16 | 14 | 10 | 6 | 2 |
| 0325 | 16 | 14 | 10 | 9.5 | 2 |
| 0326 | 16 | 15 | 10 | 20 | 5 |
| 0327 | 16.3 | 12.5 | 8 | 9 | 2.5 |
| 0328 | 18 | 11.8 | 5 | 9.2 | 4.7 |
| 0329 | 18 | 16 | 12 | 8 | 2 |
| 0330 | 20 | 15.4 | 6.4 | 45 | 5 |
| 0331 | 24 | 20 | 11 | 8 | 3 |
| 0332 | 25 | 18.8 | 10.2 | 50 | 5 |
| 0333 | 25 | 21.5 | 17.5 | 16 | 3 |
| 0334 | 25 | 22 | 15 | 13 | 3 |
| 0335 | 30 | 14 | 7 | 6 | 2 |
| 0336 | 44 | 40 | 30 | 10 | 3 |
| 0337 | 50.5 | 41 | 17.5 | 24.5 | 9 |
| 0338 | 13.8 | 9.8 | 4.6 | 14.4 | 9.4 |
| 0339 | 8 | 6.4 | 3.5 | 5 | 1.2 |
| 0340 | 23 | 15 | 10 | 19.8 | 5 |
| 0341 | 9.2 | 7.1 | 4.5 | 7 | 1.7 |
| 0342 | 7.8 | 6.15 | 3.5 | 2.8 | 1 |
| 0343 | 5.8 | 3.9 | 2 | 4.45 | 2 |
| 0344 | 15.7 | 12.3 | 7.7 | 8.9 | 2.4 |
| 0345 | 35 | 22 | 10 | 43 | 7 |
| 0346 | 19.5 | 12 | 6.7 | 9 | 1.8 |
| 0347 | 11 | 9 | 6 | 6 | 2 |
| 0348 | 7.5 | 5.9 | 3.5 | 4.5 | 1 |
| 0349 | 16 | 12 | 8.2 | 60 | 3 |
| 0350 | 23 | 17 | 10 | 14 | 3 |
| 0351 | 10 | 8.7 | 4.75 | 7.9 | 2 |
| 0352 | 11.2 | 9 | 5.8 | 5.7 | 2.2 |
| 0353 | 6.5 | 4.5 | 2.5 | 5 | 1 |
| 0354 | 16 | 12 | 8.3 | 80 | 2.5 |
| 0355 | 13 | 9.1 | 4.1 | 7 | 2 |
| 0356 | 10 | 8 | 5 | 5.5 | 1.5 |

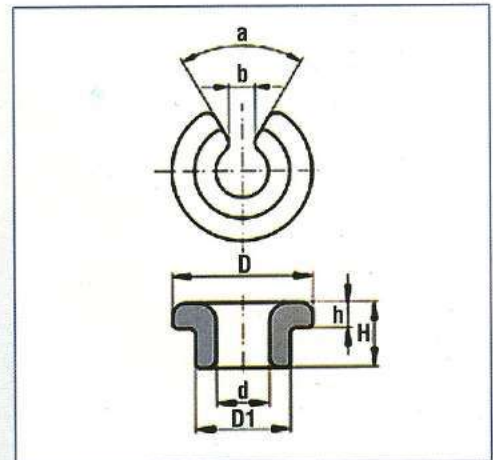
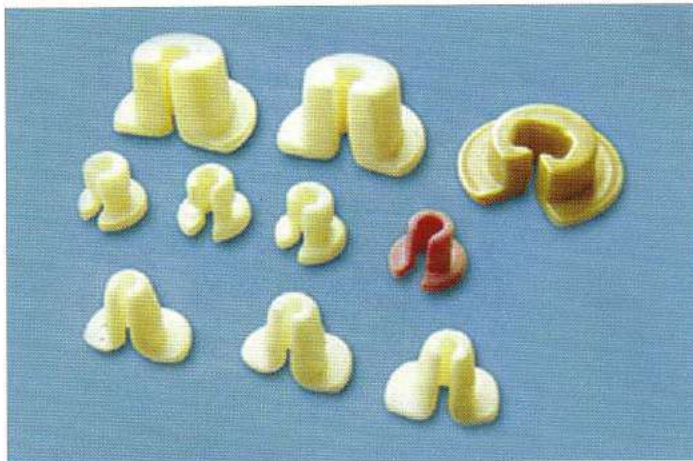
| Art No. | D | D1 | d | H | h |
|---------|------|------|-------|------|-----|
| 0357 | 7.5 | 5.8 | 3.5 | 2.3 | 0.8 |
| 0358 | 18 | 13 | 7 | 11 | 3 |
| 0359 | 12 | 8 | 4.7 | 10 | 4 |
| 0360 | 15 | 12.2 | 9.5 | 5.8 | 2 |
| 0361 | 15.4 | 11.8 | 7.6 | 10 | 2.5 |
| 0362 | 35 | 22 | 10 | 43.5 | 6.5 |
| 0363 | 17 | 12.8 | 6 | 20 | 5 |
| 0364 | 6.5 | 5 | 3.5 | 7.9 | 1.5 |
| 0365 | 13 | 9 | 4 | 9 | 4 |
| 0366 | 11.9 | 9.5 | 5.5 | 8.2 | 2.4 |
| 0367 | 16.4 | 12.3 | 7.25 | 8.7 | 3.1 |
| 0368 | 12 | 8.5 | 4.5 | 13 | 3 |
| 0369 | 28 | 22.3 | 16 | 11 | 4 |
| 0370 | 5.84 | 4 | 1 | 4 | 1 |
| 0371 | 5.84 | 4 | 0.8 | 4 | 1 |
| 0372 | 21 | 16 | 10 | 9 | 3 |
| 0373 | 12 | 9.5 | 2.5 | 13 | 3 |
| 0374 | 6.8 | 5.35 | 3.3 | 5.5 | 1.3 |
| 0375 | 10 | 8 | 4.6 | 7 | 2 |
| 0376 | 14 | 11 | 7.5 | 11 | 2.5 |
| 0377 | 18 | 15 | 8 | 13 | 3 |
| 0378 | 7.3 | 6.3 | 3.5 | 21 | 1 |
| 0379 | 10 | 7.5 | 5 | 8 | 2 |
| 0380 | 8.5 | 6.2 | 4 | 8 | 1.5 |
| 0381 | 10 | 7.4 | 3.6 | 3.7 | 1.7 |
| 0382 | 13.8 | 9.7 | 3.4 | 10 | 3 |
| 0383 | 28 | 22.2 | 16 | 14 | 2 |
| 0384 | 4.85 | 3.85 | 2.1 | 5.35 | 1.1 |
| 0385 | 9 | 7 | 5.5/3 | 5.2 | 1.6 |
| -0386 | 8.2 | 6 | 2.1 | 3 | 1 |
| -0387 | 3.7 | 2.5 | 1.4 | 5.9 | 1.2 |
| -0388 | 10 | 6 | 3 | 6.5 | 2 |
| -0389 | 15.7 | 12.2 | 6.7 | 9.1 | 2.7 |
| -0390 | 10 | 6 | 3 | 6.5 | 2 |
| -0391 | 9.3 | 7.2 | 4.6 | 7.1 | 2 |
| -0392 | 16 | 12 | 8 | 8 | 1.5 |
| -0393 | 12 | 9.8 | 4/5.5 | 12.6 | 5 |
| -0394 | 35 | 30.1 | 20 | 10 | 5 |
| -0395 | 7.6 | 6/4 | 3 | 12 | 2 |
| -0396 | 15 | 11.7 | 6 | 15 | 3 |
| -0397 | 16 | 12 | 8.3 | 60 | 3 |
| -0398 | 10 | 7 | 4.2 | 8 | 2 |
| -0399 | 16 | 12.4 | 8.75 | 9 | 2 |
| 03001 | 21.2 | 16.3 | 12 | 5.2 | 2 |
| 03002 | 28 | 24 | 17 | 12.5 | 4.5 |
| 03003 | 7 | 5.7 | 3.5 | 6 | 2 |
| 03004 | 16 | 12.5 | 8.5 | 10.2 | 3 |
| 03005 | 13.6 | 10.5 | 8.5 | 8 | 4 |

| Art No. | D | D1 | d | H | h |
|---------|------|------|-----|------|------|
| 03006 | 12 | 10 | 4 | 15 | 4 |
| 03007 | 13.8 | 9.8 | 3.2 | 10 | 3 |
| 03008 | 7.8 | 6.1 | 3.4 | 6.5 | 1.5 |
| 03009 | 10.5 | 7.7 | 4.7 | 8.7 | 1.7 |
| 03010 | 19 | 14 | 8 | 19 | 5 |
| 03011 | 12 | 10 | 6/8 | 10 | 2 |
| 03012 | 12 | 9.8 | 5 | 8.5 | 2 |
| 03013 | 15 | 9.4 | 3.2 | 17 | 2 |
| 03014 | 12 | 8 | 5 | 10 | 4 |
| 03015 | 26 | 18.5 | 11 | 22.5 | 6.5 |
| 03016 | 26 | 19.5 | 15 | 25 | 10 |
| 03017 | 2.8 | 2.4 | 1.5 | 2.6 | 1.2 |
| 03018 | 2.65 | 2 | 1 | 10 | 1.1 |
| 03019 | 35.5 | 25 | 16 | 25 | 5 |
| 03020 | 15.5 | 11.9 | 7.9 | 9.1 | 2.4 |
| 03021 | 25.4 | 19.5 | 10 | 17 | 5 |
| 03022 | 8 | 5.4 | 3 | 7 | 2 |
| 03023 | 15.4 | 12 | 7.6 | 7 | 3 |
| 03024 | 19 | 14.5 | 9.5 | 19 | 6 |
| 03025 | 18 | 15.5 | 9.5 | 15 | 3 |
| 03026 | 10 | 7 | 4.7 | 6 | 3.05 |
| 03027 | 8.8 | 6.8 | 3.8 | 7.4 | 1.4 |
| 03028 | 18 | 13 | 8 | 31 | 28 |
| 03029 | 6.3 | 4.8 | 3.2 | 10 | 1.7 |
| 03030 | 10.8 | 8.8 | 3.5 | 5.8 | 2 |
| 03031 | 12 | 8 | 2 | 13 | 2 |
| 03032 | 12 | 9.5 | 5 | 10.2 | 2.5 |
| 03033 | 15.8 | 11.7 | 6 | 5 | 2 |
| 03034 | 10 | 7 | 4.7 | 5.05 | 2.05 |

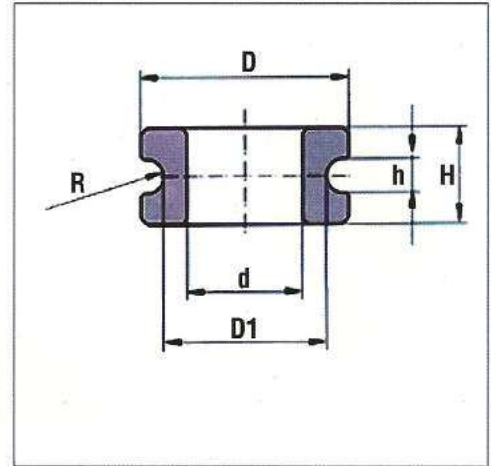
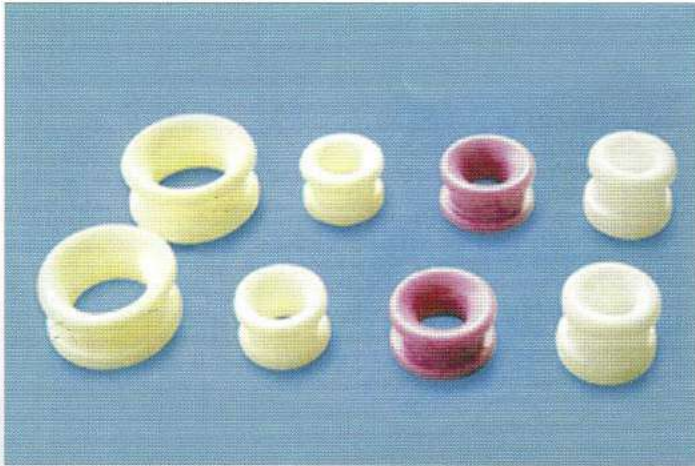


| Art No. | D | D1 | D2 | d | H | h | h1 | h2 |
|---------|------|------|------|------|------|-----|-----|-----|
| 0401 | 5.8 | 4.6 | 3.9 | 2 | 9.5 | 1 | 0.8 | 3.4 |
| 0402 | 6 | 4.8 | 3.8 | 2.8 | 3.4 | 1 | 0.8 | 0.8 |
| 0403 | 6.6 | 5 | 4.2 | 3 | 5.7 | 1.6 | 1.2 | 4.5 |
| 0404 | 7.5 | 6 | 5.5 | 3.2 | 4.5 | 1.2 | 1 | 1.1 |
| 0405 | 8.5 | 6 | 4.5 | 3 | 9 | 2 | 1.3 | 4.7 |
| 0406 | 8.5 | 6.5 | 6 | 4 | 6 | 1.7 | 1 | 1.5 |
| 0407 | 8.7 | 6.5 | 6 | 2.5 | 6.2 | 1.8 | 1.2 | 1.5 |
| 0408 | 9.5 | 7.7 | 6.8 | 4 | 7.5 | 1.5 | 1 | 1.5 |
| 0409 | 9.5 | 7.8 | 7 | 4 | 8 | 1.5 | 1 | 1 |
| 0410 | 9.5 | 8 | 7 | 4 | 8 | 2 | 1.5 | 1 |
| 0411 | 9.6 | 7.7 | 6.7 | 4.3 | 8.3 | 1.3 | 1 | 2.7 |
| 0412 | 10 | 7.5 | 6.5 | 4 | 10 | 3 | 1 | 2 |
| 0413 | 10 | 8 | 7.1 | 4 | 7.8 | 1.5 | 1.8 | 2.7 |
| 0414 | 10 | 8.2 | 7 | 4 | 8.5 | 2 | 1.6 | 1.4 |
| 0415 | 10 | 8.25 | 7 | 5 | 5.5 | 1.5 | 2 | 1.3 |
| 0416 | 10 | 8.3 | 7 | 4.2 | 7 | 1.5 | 1 | 2 |
| 0417 | 10 | 8.4 | 7 | 4.4 | 5.5 | 1.6 | 1.1 | 1.6 |
| 0418 | 10 | 8.4 | 7.8 | 5 | 5.5 | 1.5 | 1.5 | 1.6 |
| 0419 | 10 | 8.4 | 7.2 | 5 | 7 | 1.5 | 1.5 | 1.6 |
| 0420 | 10 | 8.5 | 7 | 4.2 | 7 | 1.5 | 1 | 2 |
| 0421 | 12 | 9 | 7 | 5 | 20 | 2 | 2 | 1 |
| 0422 | 12 | 9 | 7 | 5.5 | 20 | 2.1 | 2 | 1.9 |
| 0423 | 12 | 10 | 9.4 | 6 | 15 | 2 | 1.1 | 1.9 |
| 0424 | 13.6 | 10.5 | 9.5 | 6 | 7.6 | 2.6 | 2.3 | 2.7 |
| 0425 | 14 | 10 | 8 | 5 | 16 | 5 | 1.5 | 2 |
| 0426 | 14 | 11 | 9 | 6 | 5 | 1.6 | 1.7 | 1.3 |
| 0427 | 15 | 11 | 9 | 4 | 10 | 3 | 2 | 2 |
| 0428 | 18 | 14.5 | 12 | 9 | 15 | 3 | 1.5 | 3.5 |
| 0429 | 21 | 13 | 11.3 | 6.5 | 11 | 6 | 3 | 2 |
| 0430 | 22 | 14.8 | 12.8 | 7.5 | 15.2 | 5.7 | 2 | 5.5 |
| 0431 | 32 | 23 | 21 | 11.5 | 15.5 | 3 | 1.5 | 3 |
| 0432 | 35 | 30 | 28 | 20 | 16 | 4 | 2 | 4 |
| 0433 | 44 | 40 | 36 | 30 | 13 | 3 | 2.8 | 2 |

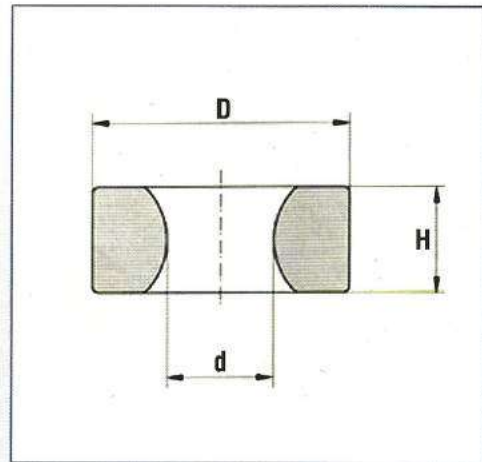
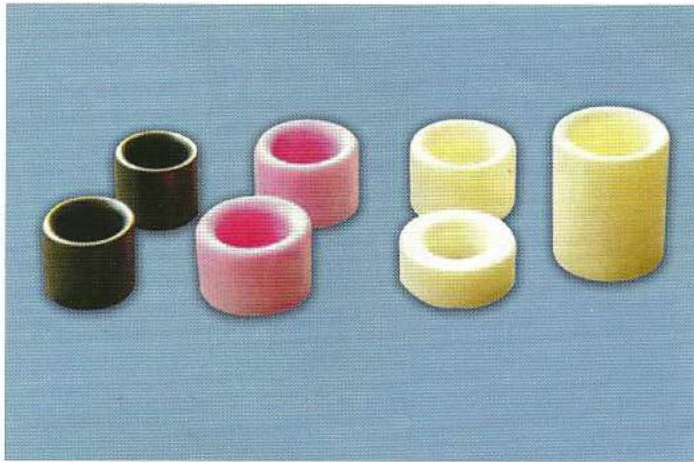
| Art No. | D | D1 | D2 | d | H | h | h1 | h2 |
|---------|------|------|------|------|------|-----|-----|------|
| 0434 | 15.2 | 11 | 8.7 | 6.5 | 10 | 2.6 | 2.3 | 2 |
| 0435 | 9 | 7.2 | 6.3 | 3.6 | 7.5 | 1.5 | 1.1 | 2 |
| 0436 | 49 | 44.3 | 42.3 | | 25 | 4.2 | 2.5 | 18.2 |
| 0437 | 21 | 15.5 | 13.9 | 12 | 8.7 | 2 | 2 | 1.5 |
| 0438 | 18 | 14 | 13 | 6 | 8 | 3 | 2.5 | 2.5 |
| 0439 | 12.9 | 9.8 | 8.5 | 6.5 | 8 | 2 | 1.4 | 1.6 |
| 0440 | 25.9 | 17.9 | 15.7 | 10.3 | 11.5 | 3 | 2 | 5 |
| 0441 | 9.4 | 7.8 | | 4 | 8 | 1.5 | 1.1 | |
| 0442 | 10 | 8 | 7 | 5 | 7.5 | 1.2 | 2 | 1 |
| 0443 | 26 | 24 | 22 | 16.5 | 14 | 2 | 5 | 3.5 |
| 0444 | 9.8 | 8 | 6.6 | 3.8 | 8.4 | 2 | 0.9 | 1.5 |
| 0445 | 5.8 | 4.45 | 3.4 | 1.5 | 4.8 | 1.3 | 0.8 | 1.1 |
| 0446 | 15.3 | 12.3 | 10.8 | 5.1 | 8.6 | 1.5 | 1.1 | 2 |



| Art No. | D | D1 | d | H | h | a | b |
|---------|------|------|-----|-----------|------|------|----|
| 0501 | 5.2 | 3 | 1.8 | 4 | 1 | 0.8 | 60 |
| 0502 | 5.3 | 3.5 | 1.5 | 4 | 1 | 0.7 | 60 |
| 0503 | 5.3 | 3.5 | 1.8 | 4 | 1 | 0.75 | 60 |
| 0504 | 5.3 | 3.6 | 2 | 2.5 | 1 | 1 | 60 |
| 0505 | 5.5 | 4 | 1.5 | 3.8 | 1 | 1 | 60 |
| 0506 | 7 | 4 | 1 | 6 | 1 | 0.5 | 30 |
| 0507 | 7 | 5 | 2 | 7 | 12 | 1.3 | 0 |
| 0508 | 10.4 | 8 | 3.2 | 5.5 | 2 | 1.4 | 60 |
| 0509 | 11 | 6.8 | 2 | 7 | 1 | 1 | 0 |
| 0510 | 11.5 | 7.5 | 3.6 | 9.5 | 2 | 1.8 | 65 |
| 0511 | 16 | 10 | 2 | 5 | 2 | 1 | |
| 0512 | | | | | | | |
| 0513 | 9.4 | 7.8 | 3 | 4.6 | 1.6 | 2.4 | |
| 0514 | 20 | 15 | 6 | 35 | 5 | 6 | |
| 0515 | 15.9 | 12.4 | 7.6 | 7 | 3 | 2.3 | |
| 0516 | 15.2 | 12.6 | 7.6 | 6 | 2 | 6.8 | |
| 0517 | 8 | 5 | 1.5 | 3.2 | 0.8 | 1.5 | |
| 0518 | 10.7 | 8 | 5 | 3 | 1.1 | 3 | |
| 0519 | 10 | 7.3 | 4 | 9 | 2 | 1.8 | |
| 0520 | 5.2 | 3.9 | 1.6 | 4.2 | 0.8 | 0.8 | |
| 0521 | | | | | | | |
| 0522 | 10 | 8 | | 4 | 1.5 | | |
| 0523 | 10.3 | 7.9 | 3.2 | 5.6 | 2.3 | 1.3 | |
| 0524 | 10.8 | 8.1 | 4.9 | 4.7 | 1.7 | 2.5 | |
| 0525 | 7.8 | 6.6 | 3 | 7.6 | 1.2 | 2.6 | |
| 0526 | 9.6 | 7.4 | 3.8 | 8.25 | 1.75 | 1 | |
| 0527 | 19 | 16 | 10 | 4.5 | 1.2 | 6 | |
| 0528 | 11 | 8.3 | 5 | 3.55/4.65 | 1.05 | 3.1 | |

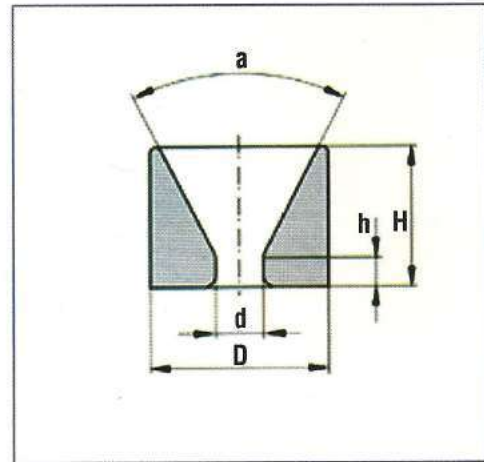
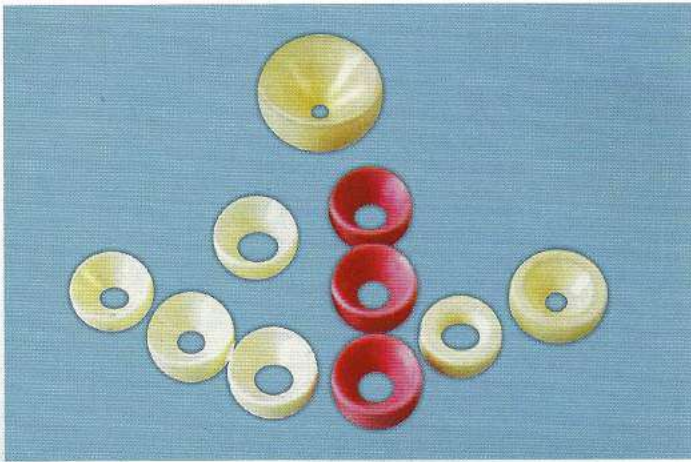


| Art No. | D | D1 | d | H | h | R |
|---------|------|------|------|-----|-----|-------|
| 0601 | 3.5 | 1.7 | 1.2 | 2.8 | 0.8 | - |
| 0602 | 7.5 | 6 | 4 | 6.5 | 3.2 | - |
| 0603 | 8 | 6.5 | 3 | 5 | 2 | - |
| 0604 | 8 | 6.5 | 4 | 5 | 2 | - |
| 0605 | 8.1 | 7 | 4 | 3.8 | 1.6 | - |
| 0606 | 8.5 | 7 | 4.2 | 7 | 3 | - |
| 0607 | 8.5 | 7 | 4.2 | 7 | 4 | - |
| 0608 | 9 | 7 | 4.2 | 4.8 | 2.5 | - |
| 0609 | 9.5 | 76.8 | 4.4 | 8.5 | 4.5 | - |
| 0610 | 9.5 | 7 | 4.4 | 8.5 | 4.5 | - |
| 0611 | 11 | 9 | 7 | 10 | 6 | - |
| 0612 | 13 | 10.5 | 7 | 6 | 2.5 | - |
| 0613 | 13.3 | 12.3 | 8.5 | 10 | 6 | - |
| 0614 | 18.2 | 12 | 7.2 | 9 | 3.5 | - |
| 0615 | 20 | 16 | 10 | 10 | 4.3 | - |
| 0616 | 6.5 | 4.5 | 2.5 | 4 | - | R1 |
| 0617 | 8 | 6 | 4 | 3.3 | - | R0.5 |
| 0618 | 8 | 6 | 4 | 3.6 | - | R0.9 |
| 0619 | 9 | 7.2 | 3.2 | 5.5 | - | R1.5 |
| 0620 | 12 | 9 | 6 | 6 | - | R0.7 |
| 0621 | 13 | 10 | 7 | 6 | - | R1.5 |
| 0622 | 13 | 10.2 | 7.2 | 5.7 | - | R1.75 |
| 0623 | 18.5 | 15 | 10 | 6. | - | R1.5 |
| 0624 | 21 | 17 | 10.5 | 7 | - | R1.75 |
| 0625 | 24.5 | 20 | 15.2 | 7 | - | R1.5 |
| 0626 | 11 | 9 | 8 | 10 | 6 | - |
| 0627 | 10 | 6.9 | 5 | 5 | 2.5 | R1.25 |
| 0628 | 8 | 6 | 4 | 3.5 | - | R0.9 |

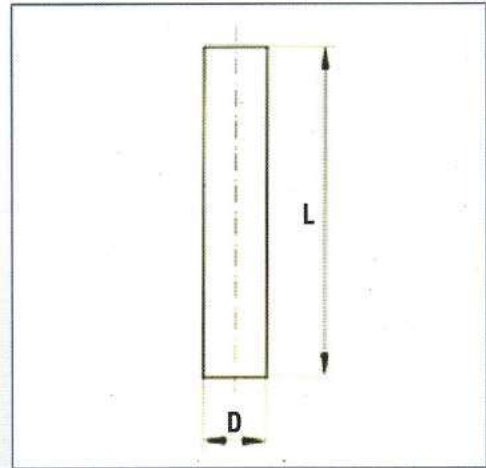
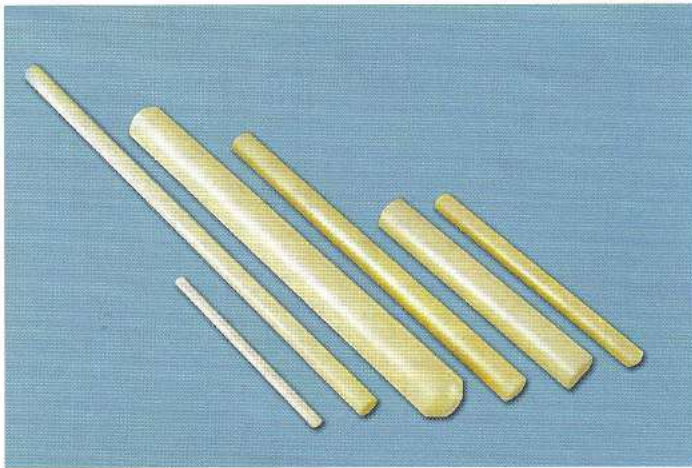


| Art No. | D | d | H |
|---------|------|-----|-----|
| 0701 | 2 | 1 | 11 |
| 0702 | 2.3 | 1.3 | 1.4 |
| 0703 | 4 | 1.5 | 4 |
| 0704 | 6 | 3.5 | 6 |
| 0705 | 7.8 | 4.5 | 20 |
| 0706 | 8 | 5 | 15 |
| 0707 | 8 | 10 | 3.5 |
| 0708 | 8.4 | 6 | 4.5 |
| 0709 | 10 | 5 | 3 |
| 0710 | 10 | 5 | 5 |
| 0711 | 10 | 5 | 14 |
| 0712 | 10 | 6 | 8 |
| 0713 | 10 | 7 | 8 |
| 0714 | 11 | 6.5 | 15 |
| 0715 | 11 | 8 | 15 |
| 0716 | 12 | 5 | 5 |
| 0717 | 12 | 7 | 8 |
| 0718 | 13 | 8 | 10 |
| 0719 | 16 | 9 | 6 |
| 0720 | 18.5 | 12 | 12 |
| 0721 | 25 | 6.5 | 10 |

| Art No. | D | d | H |
|---------|-----------|------|------|
| 0722 | 11 | 8 | 15 |
| 0723 | 5.7 | 3.2 | 2.4 |
| 0724 | 15.2/14.8 | 10 | 12.7 |
| 0725 | 25 | 15 | 15 |
| 0726 | 12.2 | 8.7 | 3.6 |
| 0727 | 13 | 9 | 8.5 |
| 0728 | 22.2 | 10.8 | 25.6 |
| 0729 | 6.3 | 3.5 | 21 |
| 0730 | 25.2/23.6 | 12.2 | 26.5 |
| 0731 | 12 | 7 | 10 |
| 0732 | 33/32 | 20 | 15 |
| 0733 | 27.4 | 16.2 | 12 |
| 0734 | 45 | 33 | 18 |
| 0735 | 18/17 | 10 | 15,8 |
| 0736 | 11.3/10.9 | 6.5 | 10 |
| 0737 | 15.5/14.5 | 8 | 19 |
| 0738 | 10.5/10 | 6.2 | 14 |
| 0739 | 14/12 | 6 | 17 |
| 0740 | 26.4/25 | 15 | 25.5 |



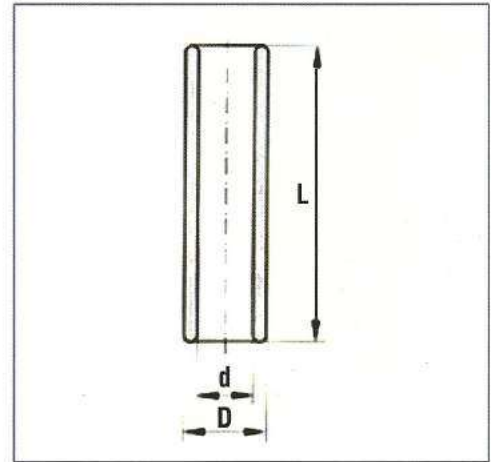
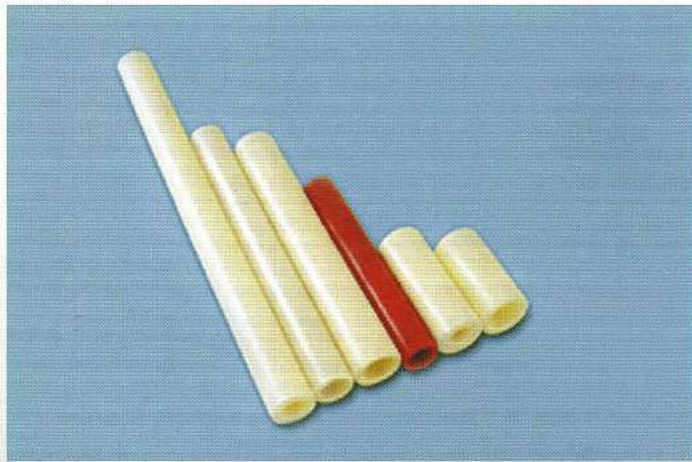
| Art No. | D | d | H | h | a |
|---------|------|-----|------|------|-----|
| 0801 | 11 | 4.5 | 4.6 | | 120 |
| 0802 | 13 | 4.5 | 6 | | 80 |
| 0803 | 13 | 5.5 | 6 | | 80 |
| 0804 | 12.7 | 3.2 | 5 | 1 | 90 |
| 0805 | 13 | 5.5 | 6 | 3 | 80 |
| 0806 | 9.25 | 3 | 9 | 6 | 80 |
| 0807 | 13.5 | 3 | 6.05 | 1.5 | 85 |
| 0808 | 13 | 3.5 | 6 | 2 | 90 |
| 0809 | 13 | 5.5 | 6 | | 90 |
| 0810 | 12.7 | 3 | 5 | 1.7 | 96 |
| 0811 | 13 | 5.5 | 6 | 3 | 90 |
| 0812 | 13 | 7 | 6 | 3 | 80 |
| 0813 | 13 | 3 | 7 | 0.8 | 74 |
| 0814 | 10 | 5 | 5 | 2.5 | 90 |
| 0815 | 5 | 0.4 | 5 | 0.7 | 60 |
| 0816 | 7 | 0.4 | 2.5 | 0.35 | 120 |
| 0817 | 20 | 12 | 4 | 1.1 | 60 |



| Art No. | D | L |
|---------|------|-----|
| 1101 | 1 | 5 |
| 1102 | 1 | 10 |
| 1103 | 1 | 15 |
| 1104 | 1.5 | 18 |
| 1105 | 1.5 | 30 |
| 1106 | 2 | 15 |
| 1107 | 2 | 35 |
| 1108 | 2.4 | 18 |
| 1109 | 2.5 | 22 |
| 1110 | 3 | 20 |
| 1111 | 3 | 24 |
| 1112 | 3 | 25 |
| 1113 | 3 | 30 |
| 1114 | 3 | 35 |
| 1115 | 3 | 40 |
| 1116 | 3 | 45 |
| 1117 | 3 | 50 |
| 1118 | 3 | 60 |
| 1119 | 3 | 100 |
| 1120 | 3 | 500 |
| 1121 | 3.1 | 90 |
| 1122 | 3.5 | 40 |
| 1123 | 3.85 | 34 |
| 1124 | 4 | 25 |
| 1125 | 4 | 30 |
| 1126 | 4 | 35 |
| 1127 | 4 | 40 |
| 1128 | 4 | 45 |
| 1129 | 4 | 50 |
| 1130 | 4 | 55 |
| 1131 | 4 | 60 |
| 1132 | 4 | 70 |
| 1133 | 4 | 75 |
| 1134 | 4 | 95 |
| 1135 | 4 | 100 |

| Art No. | D | L |
|---------|----|-----|
| 1136 | 4 | 220 |
| 1137 | 4 | 500 |
| 1138 | 5 | 30 |
| 1139 | 5 | 35 |
| 1140 | 5 | 38 |
| 1141 | 5 | 40 |
| 1142 | 5 | 45 |
| 1143 | 5 | 50 |
| 1144 | 5 | 55 |
| 1145 | 5 | 60 |
| 1146 | 5 | 70 |
| 1147 | 5 | 100 |
| 1148 | 5 | 500 |
| 1149 | 6 | 40 |
| 1150 | 6 | 45 |
| 1151 | 6 | 50 |
| 1152 | 6 | 60 |
| 1153 | 6 | 70 |
| 1154 | 6 | 75 |
| 1155 | 6 | 80 |
| 1156 | 6 | 85 |
| 1157 | 6 | 90 |
| 1158 | 6 | 100 |
| 1159 | 6 | 500 |
| 1160 | 8 | 45 |
| 1161 | 8 | 60 |
| 1162 | 8 | 80 |
| 1163 | 8 | 100 |
| 1164 | 8 | 120 |
| 1165 | 8 | 500 |
| 1166 | 10 | 100 |
| 1167 | 10 | 210 |
| 1168 | 10 | 500 |
| 1169 | 14 | 500 |
| 1170 | 16 | 500 |

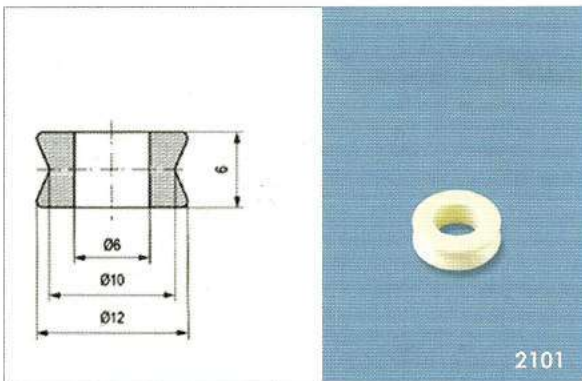
| Art No. | D | L |
|---------|-----|------|
| 1171 | 63 | 62 |
| 1172 | 2 | 18.5 |
| 1173 | 6 | 20 |
| 1174 | 5 | 100 |
| 1175 | 5 | 120 |
| 1176 | 2 | 18.5 |
| 1177 | 0 | 1800 |
| 1178 | 2.5 | 50.5 |
| 1179 | 3 | 55 |
| 1180 | 6.4 | 76 |
| 1181 | 8 | 55 |
| 1182 | 7 | 85 |
| 1183 | 1.5 | 7.2 |
| 1184 | 4 | 18 |
| 1185 | 1.3 | 8.6 |
| 1186 | 2 | 14 |



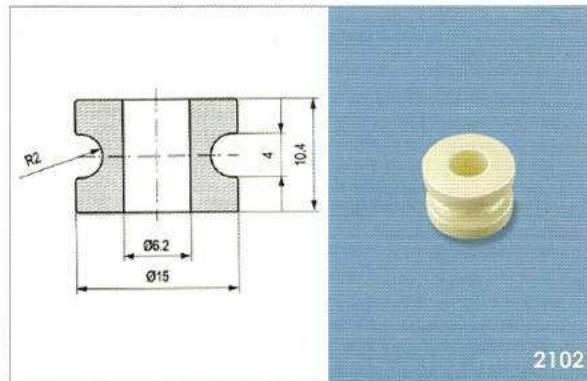
| Art No. | D | d | L |
|---------|------|-----|------|
| 1001 | 2 | 1 | 20 |
| 1002 | 2 | 1.2 | 25 |
| 1003 | 2.4 | 1.3 | 28 |
| 1004 | 3.5 | 2.5 | 50 |
| 1005 | 3.5 | 2.5 | 60 |
| 1006 | 4 | 3.2 | 50 |
| 1007 | 4 | 2 | 100 |
| 1008 | 4 | 2 | 500 |
| 1009 | 4.15 | 2.4 | 25 |
| 1010 | 5 | 3 | 10 |
| 1011 | 6 | 3.2 | 16 |
| 1012 | 6 | 3.2 | 19 |
| 1013 | 6 | 2.5 | 20 |
| 1014 | 6 | 3.2 | 25 |
| 1015 | 6 | 3 | 100 |
| 1016 | 6 | 3 | 500 |
| 1017 | 7 | 4.2 | 30 |
| 1018 | 7 | 4.2 | 90 |
| 1019 | 7.2 | 4.5 | 45 |
| 1020 | 8 | 4.5 | 10 |
| 1021 | 8 | 3.5 | 22 |
| 1022 | 8 | 5.5 | 50 |
| 1023 | 8 | 5.3 | 55 |
| 1024 | 8 | 4 | 100 |
| 1025 | 8 | 4 | 500 |
| 1026 | 8.5 | 6.1 | 16.5 |
| 1027 | 9 | 4.2 | 10 |
| 1028 | 9.5 | 5.5 | 15 |
| 1029 | 9.8 | 5.5 | 90 |
| 1030 | 10 | 5.2 | 20 |
| 1031 | 10 | 5.5 | 20 |
| 1032 | 10 | 5.5 | 28 |
| 1033 | 10 | 6.3 | 33 |
| 1034 | 10 | 5.5 | 40 |
| 1035 | 10 | 5.5 | 40 |

| Art No. | D | d | L |
|---------|------|------|------|
| 1036 | 10 | 5 | 100 |
| 1037 | 10 | 6.4 | 110 |
| 1038 | 10 | 5 | 500 |
| 1039 | 10.3 | 3.2 | 13 |
| 1040 | 10.3 | 4.5 | 20 |
| 1041 | 11 | 8 | 20 |
| 1042 | 12 | 8 | 85 |
| 1043 | 12 | 6 | 100 |
| 1044 | 12 | 6 | 500 |
| 1045 | 12.5 | 6.5 | 40 |
| 1046 | 15 | 9.5 | 50 |
| 1047 | 15 | 10 | 265 |
| 1048 | 16 | 8 | 100 |
| 1049 | 16 | 8 | 500 |
| 1050 | 20 | 12 | 60 |
| 1051 | 70 | 60 | 1000 |
| 1052 | 10 | 6 | 8 |
| 1053 | 5.2 | 2 | 5.3 |
| 1054 | 12 | 7 | 85 |
| 1055 | 12 | 8.4 | 60 |
| 1056 | 3.1 | 1.9 | 10.5 |
| 1057 | 5.3 | 3.3 | 60 |
| 1058 | 10 | 8.1 | 42.8 |
| 1059 | 5.5 | 3.5 | 30 |
| 1060 | 10 | 7 | 8 |
| 1061 | 28 | 22.5 | 25 |
| 1062 | 20 | 10 | 3 |
| 1063 | 12 | 6 | 40 |
| 1064 | 12 | 6 | 65 |
| 1065 | 8.1 | 0.7 | 16 |
| 1066 | 5 | 3.25 | 60 |
| 1067 | 9 | 6 | 57 |
| 1068 | 10 | 6.6 | 45 |
| 1069 | 10 | 6.6 | 40 |
| 1070 | 10 | 6.6 | 30 |

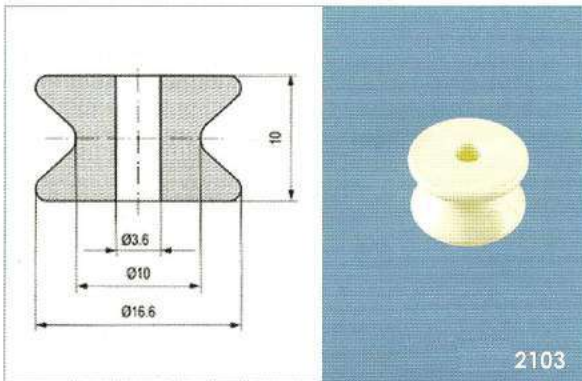
| Art No. | D | d | L |
|---------|-------|-------|---------|
| 1071 | 13.5 | 7.5 | 32 |
| 1072 | 13 | 8 | 66 |
| 1073 | 8 | 3 | 120 |
| 1074 | 7 | 4.5 | 43 |
| 1075 | 5 | 2 | 30 |
| 1076 | 19 | 8 | 32 |
| 1077 | 2.5 | 1.5 | 17.5 |
| 1078 | 7.7 | 5.9 | 10 |
| 1079 | 16 | 10 | 10 |
| 1080 | 9 | 6 | 11.5 |
| 1081 | 10 | 5 | 5 |
| 1082 | 2 | 1 | 16 |
| 1083 | 5.6 | 2/2.2 | 59.5 |
| 1084 | 4 | 2 | 47 |
| 1085 | 13 | 7 | 6 |
| 1086 | 18 | 8.8 | 25 |
| 1087 | 28 | 16 | 49 |
| 1088 | 6 | 03 | 10 |
| 1089 | 16 | 9.5 | 27/17.5 |
| 1090 | 13 | 6.5 | 140 |
| 1091 | 8 | 5 | 57 |
| 1092 | 3 | 2 | 23 |
| 1093 | 13 | 8 | 66 |
| 1094 | 4 | 2 | 15 |
| 1095 | 6.5 | 4.25 | 40 |
| 1096 | 22 | 14.2 | 65 |
| 1097 | 15 | 12/10 | 55 |
| 1098 | 15 | 8.5 | 80 |
| 1099 | 25 | 16 | 20 |
| 10100 | 8.935 | 6.56 | 12.1 |
| 10101 | 22.2 | 8.3 | 76.2 |
| 10102 | 117 | 6.7 | 3.4 |
| 10103 | 13 | 9.5 | 127 |
| 10104 | 19 | 13 | 70 |



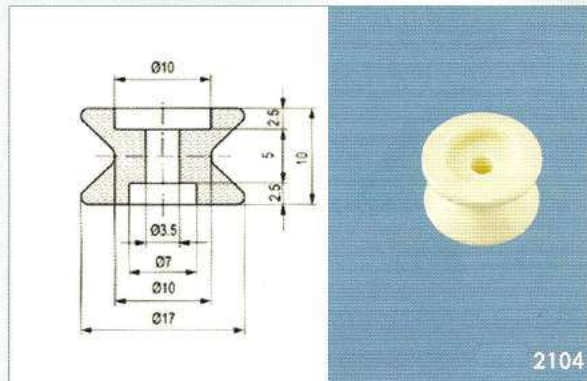
2101



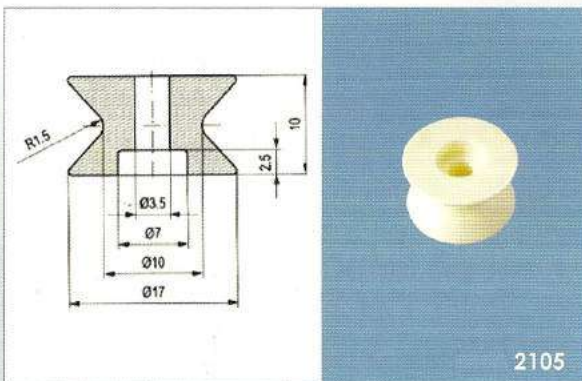
2102



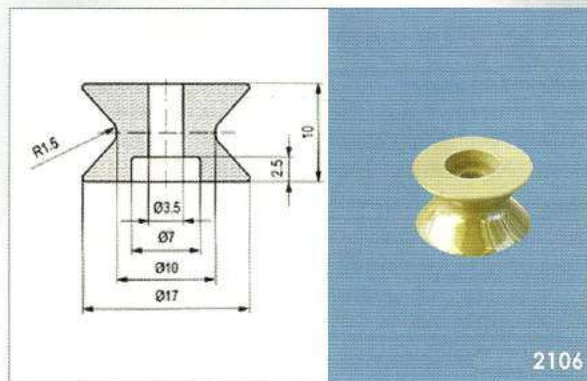
2103



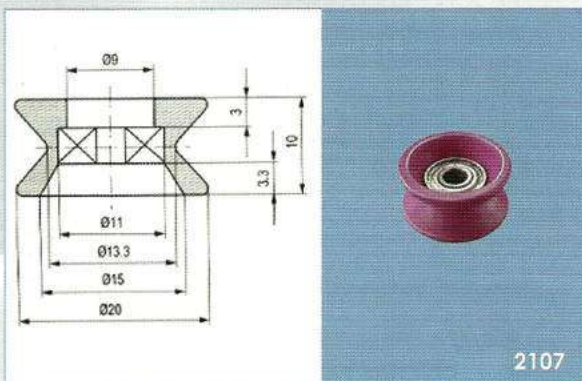
2104



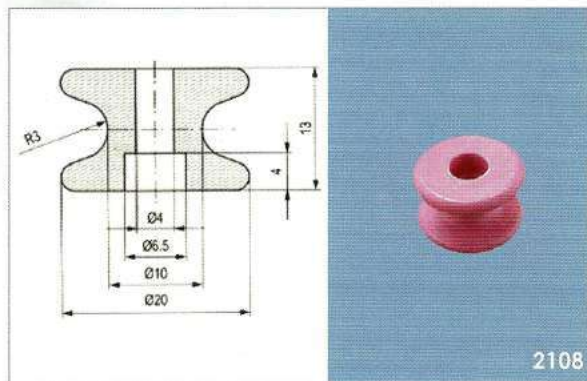
2105



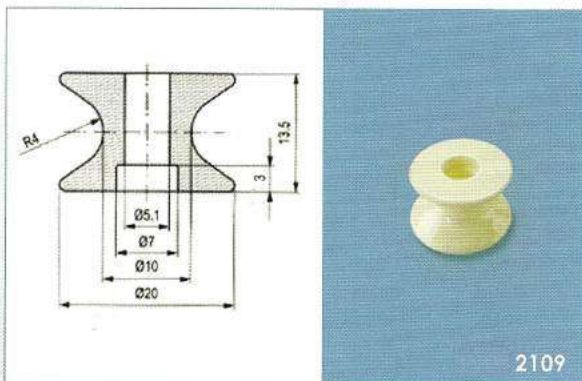
2106



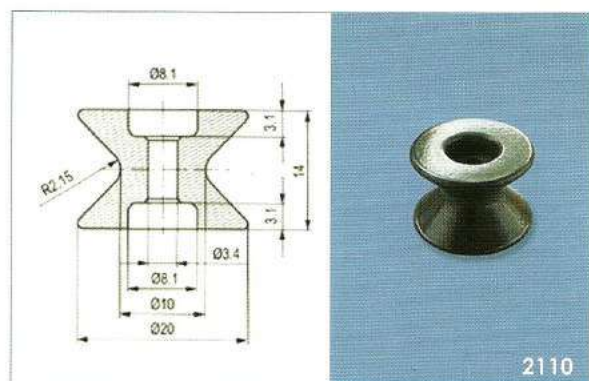
2107



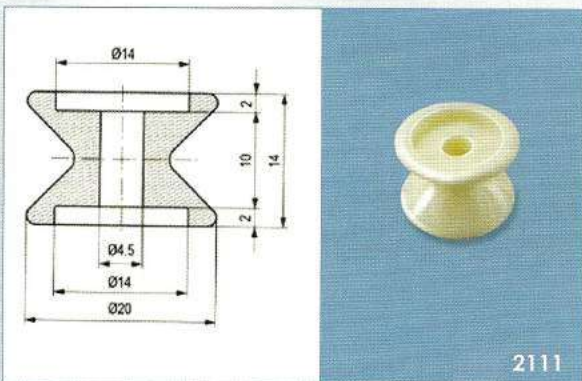
2108



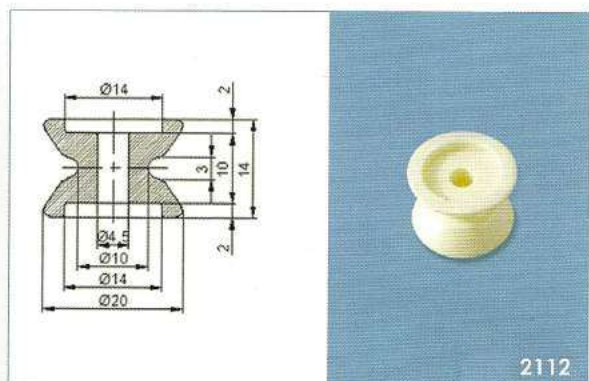
2109



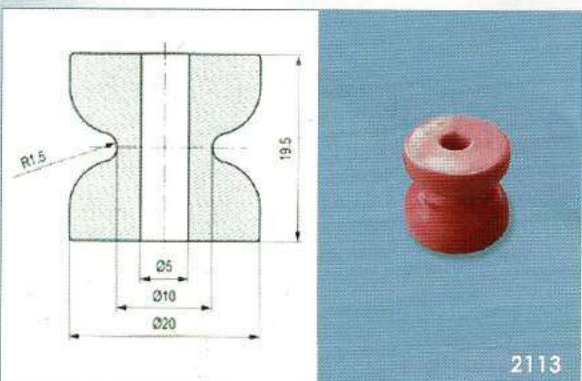
2110



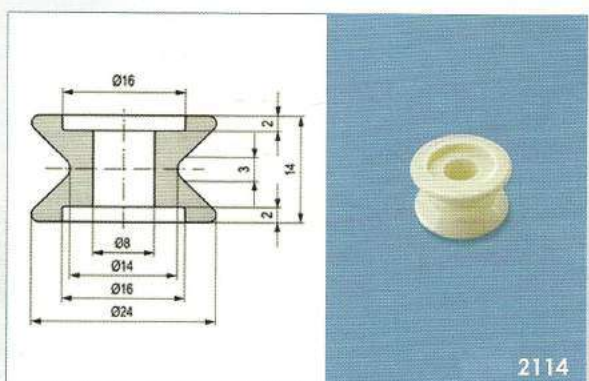
2111



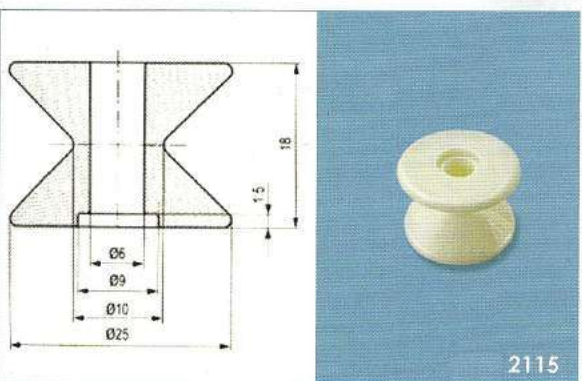
2112



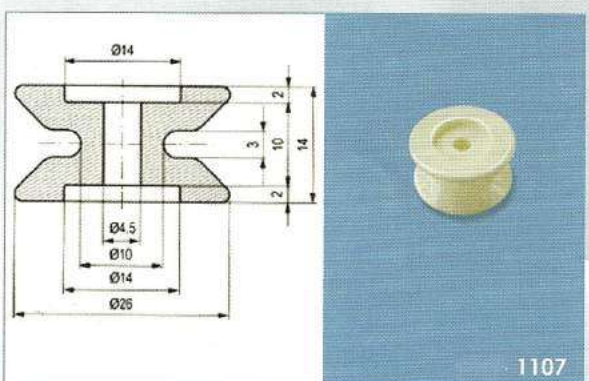
2113



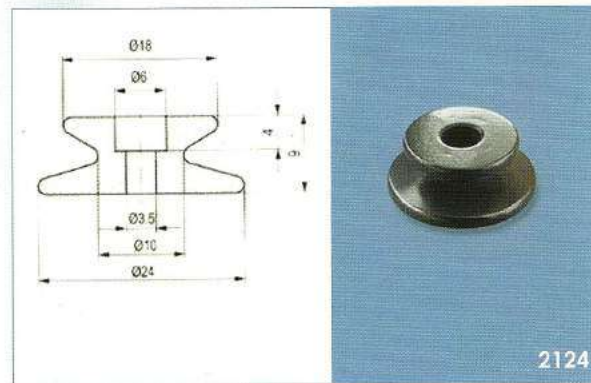
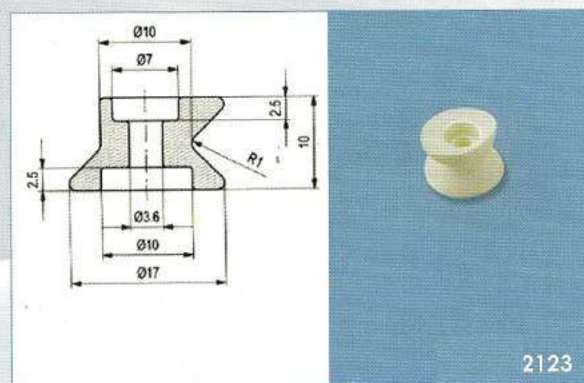
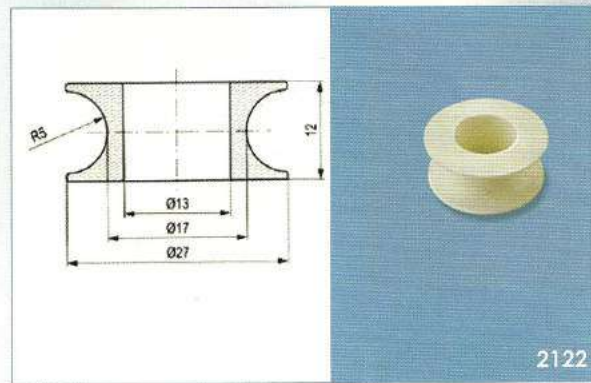
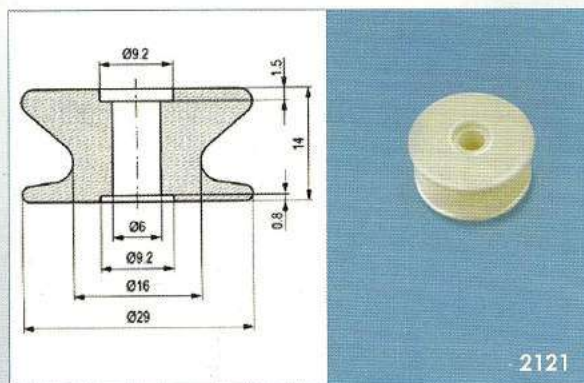
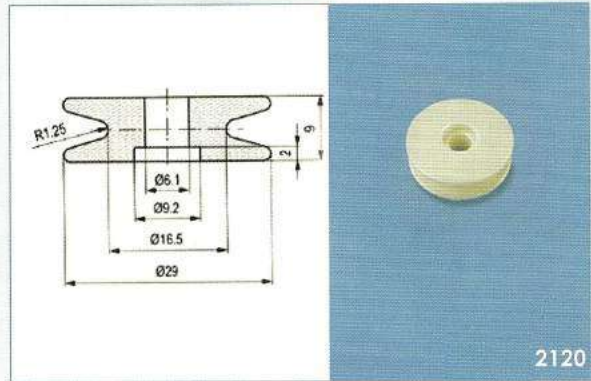
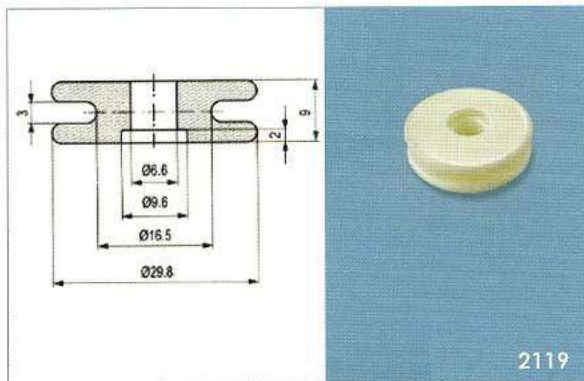
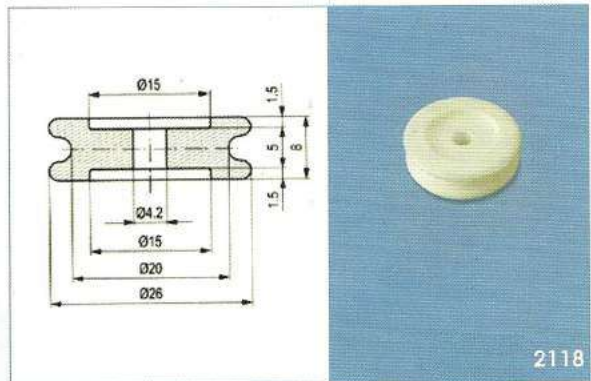
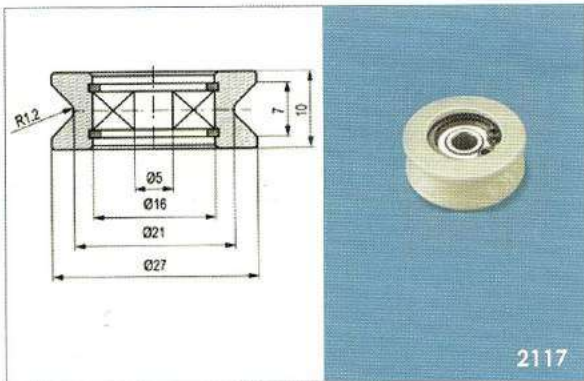
2114

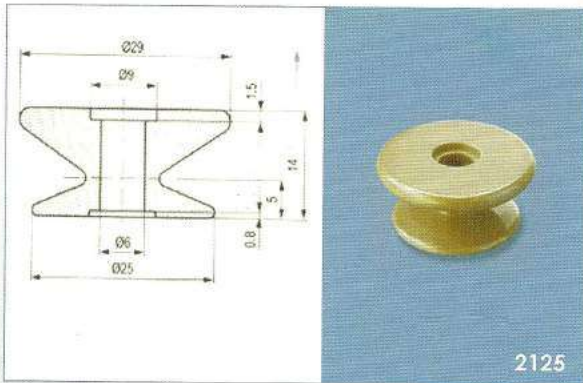


2115

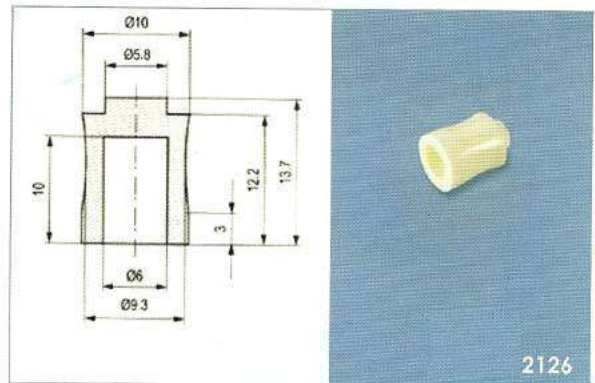


1107

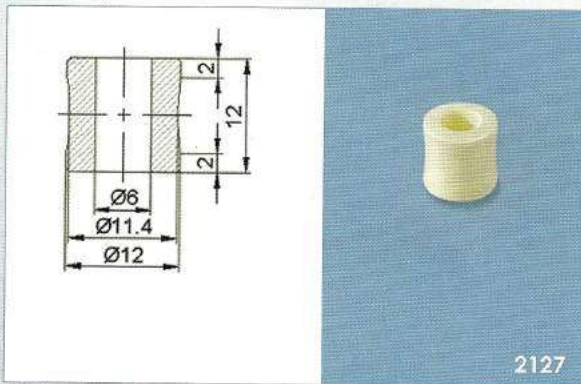




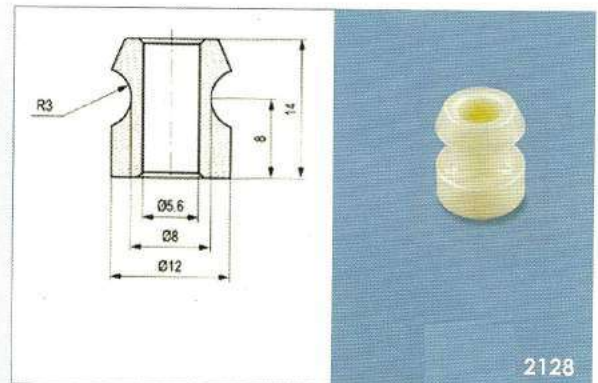
2125



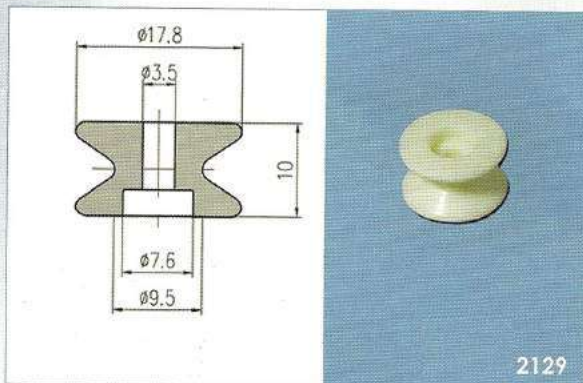
2126



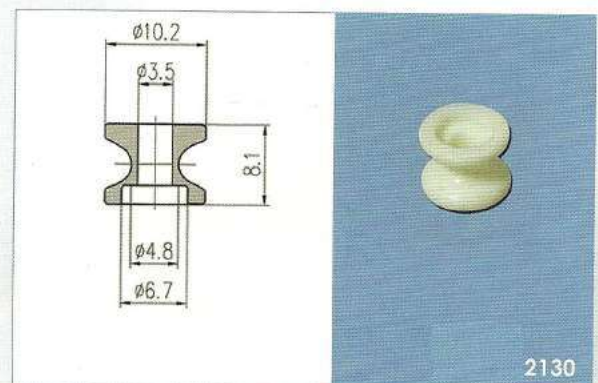
2127



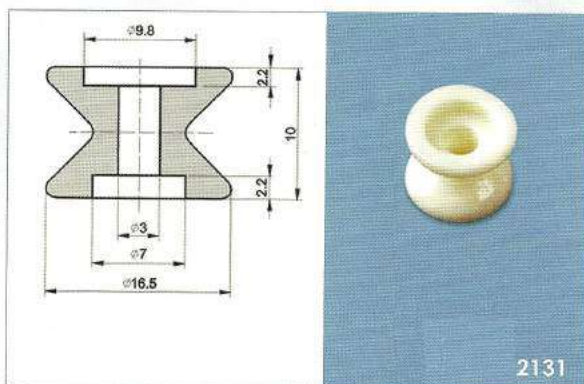
2128



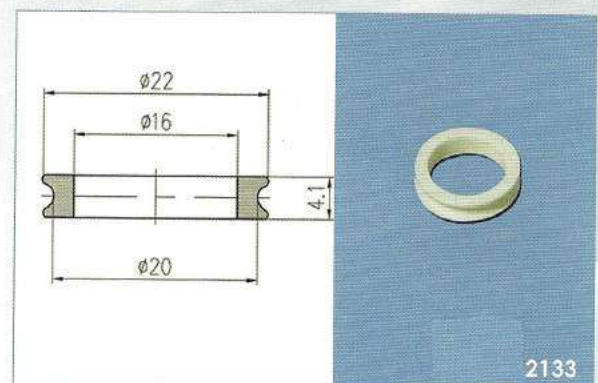
2129



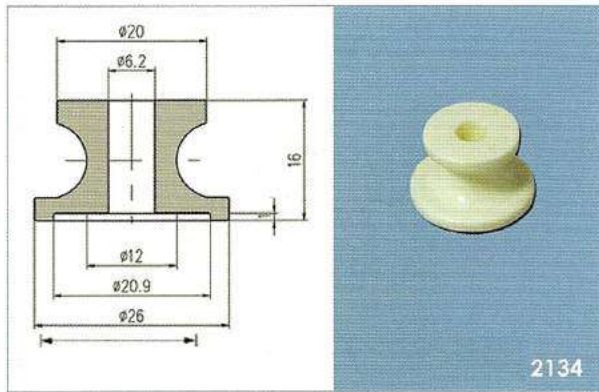
2130



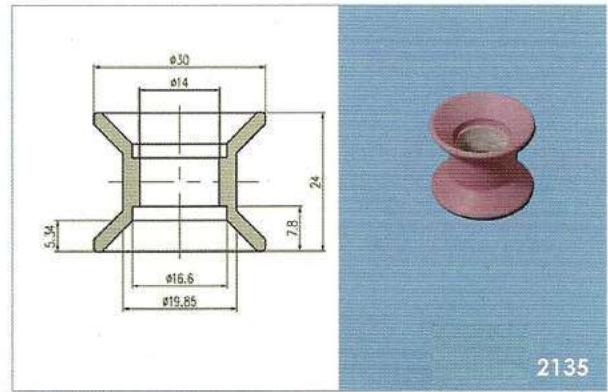
2131



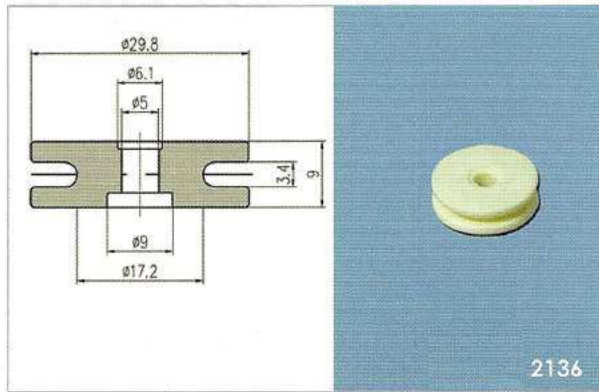
2133



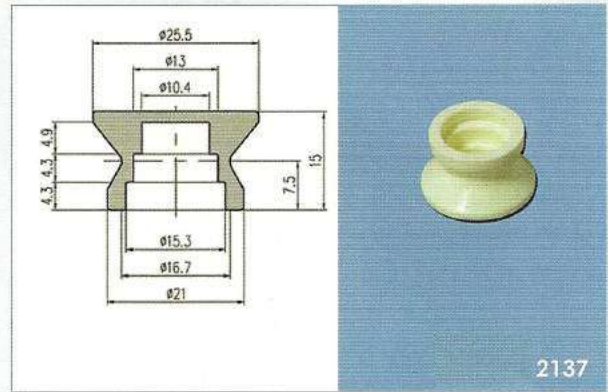
2134



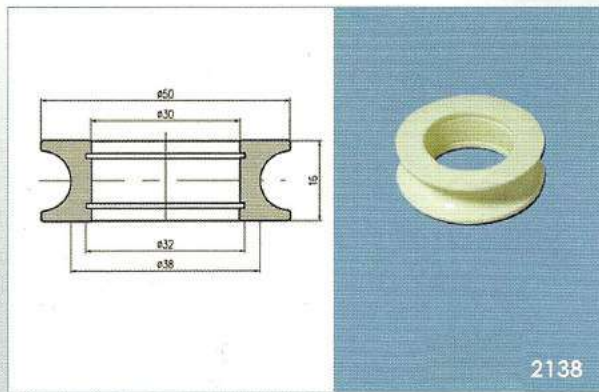
2135



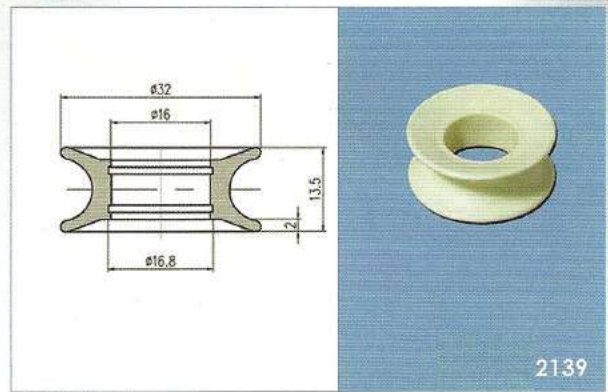
2136



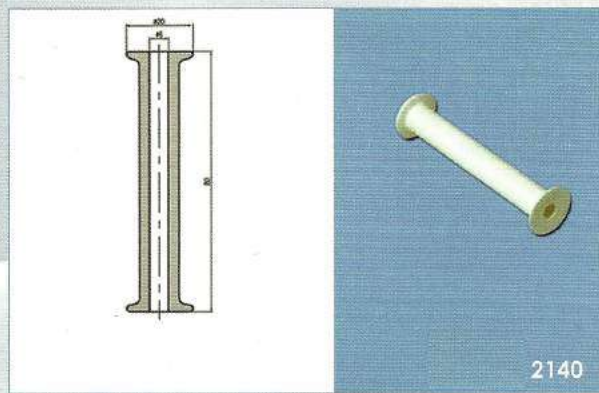
2137



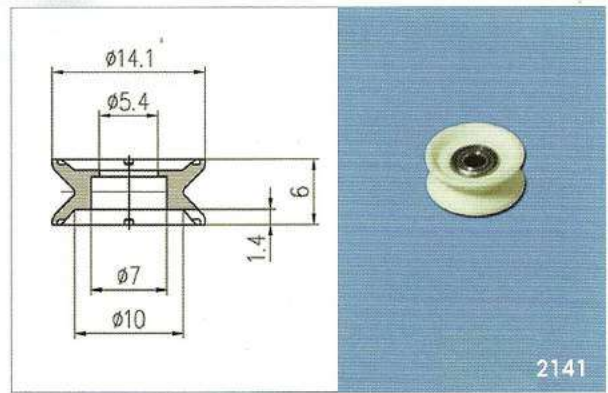
2138



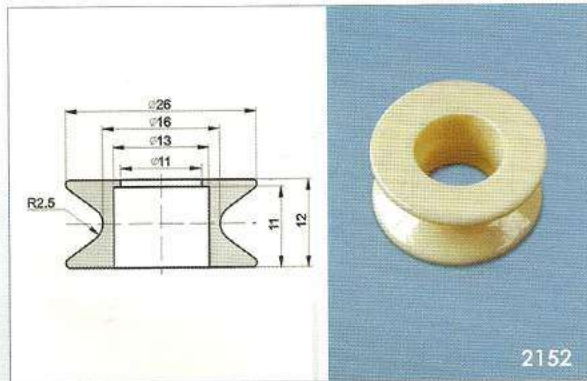
2139



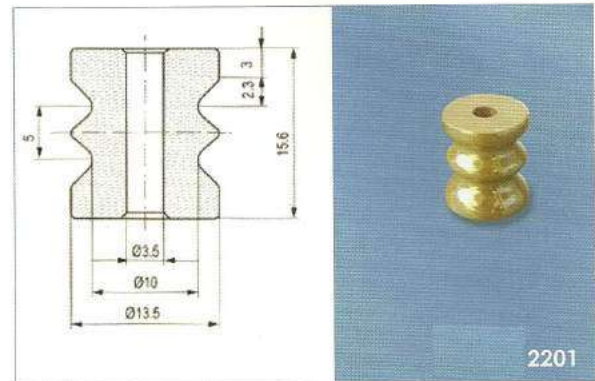
2140



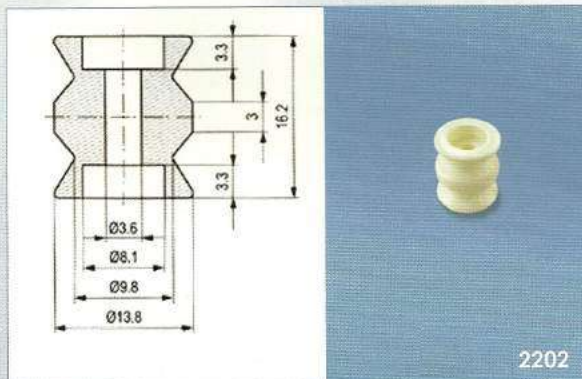
2141



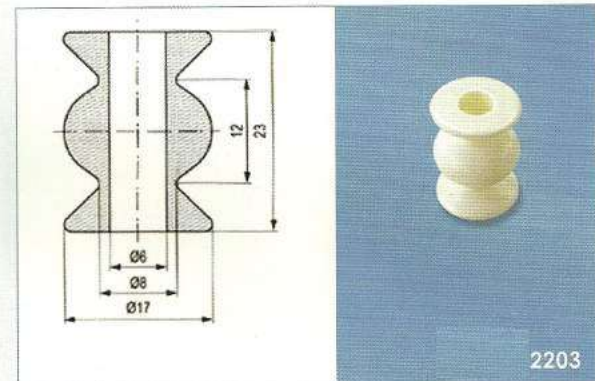
2152



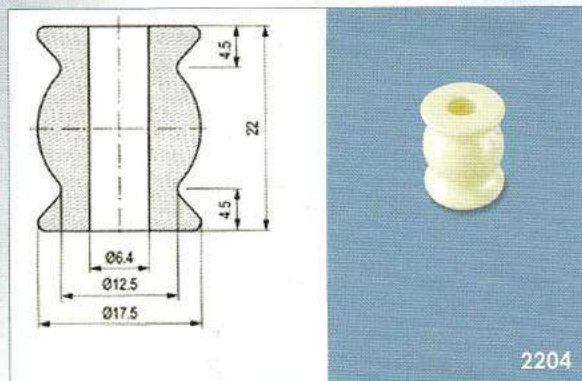
2201



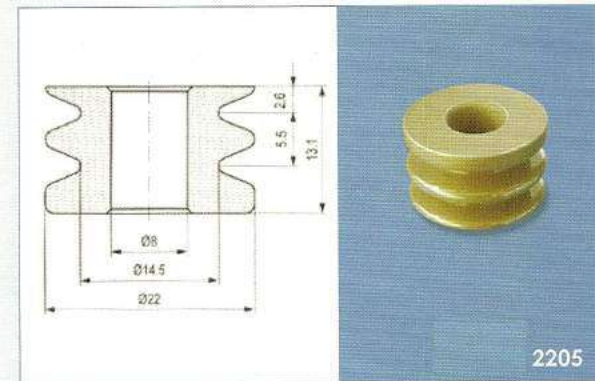
2202



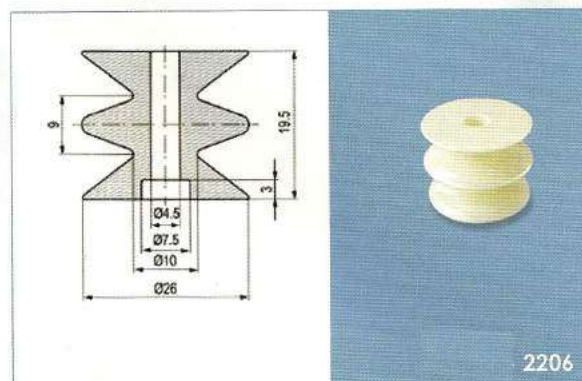
2203



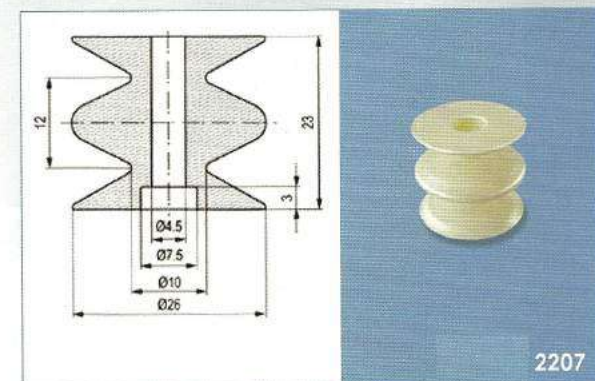
2204



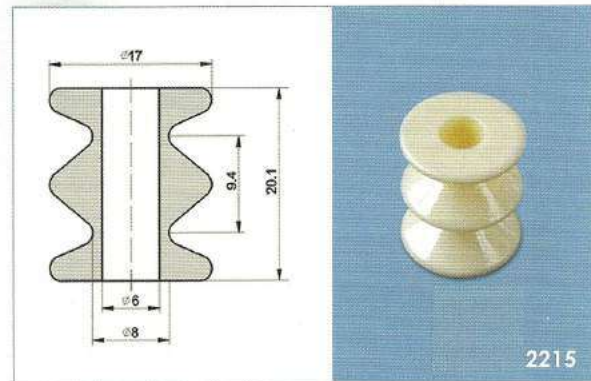
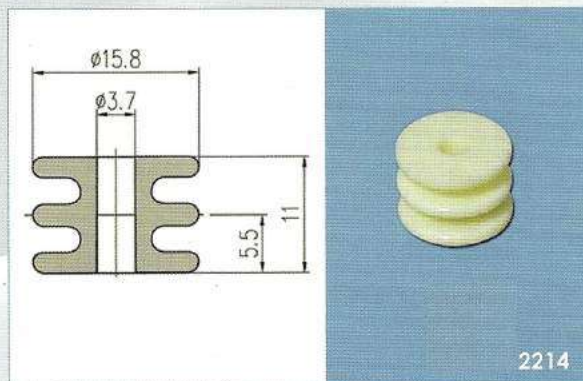
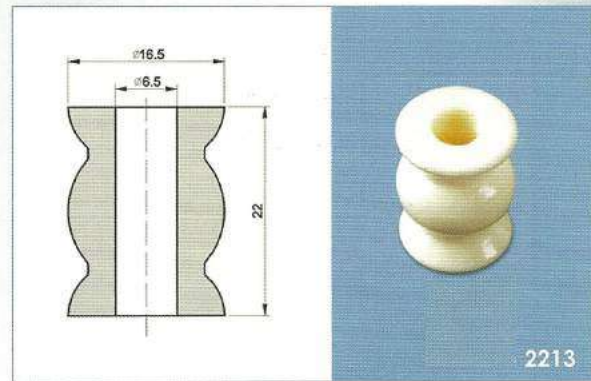
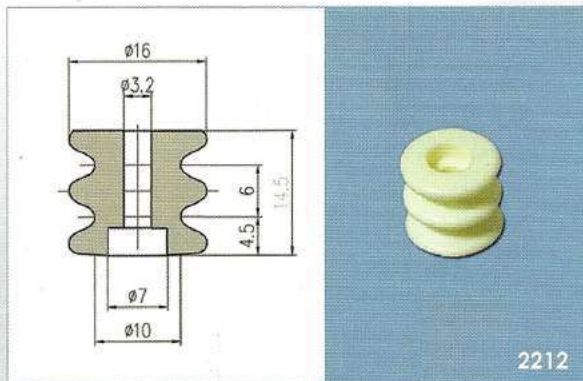
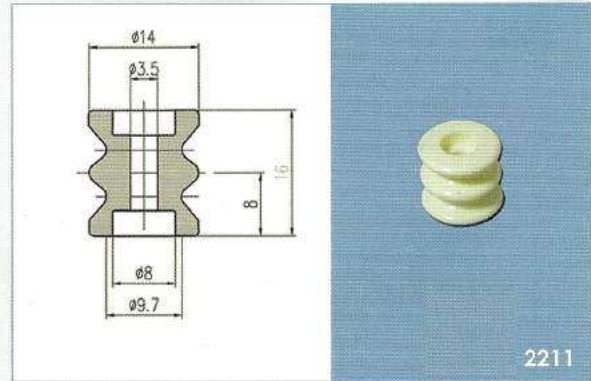
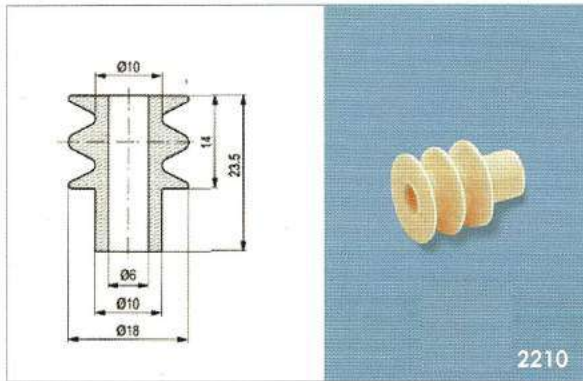
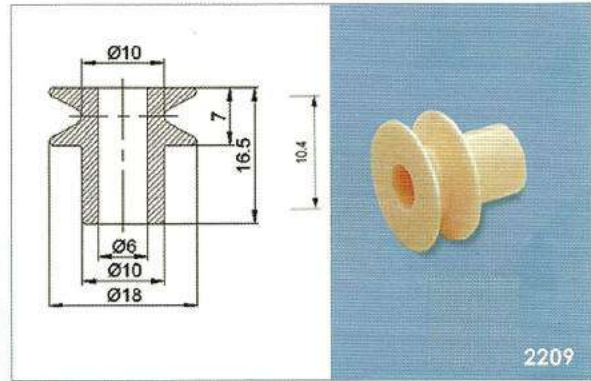
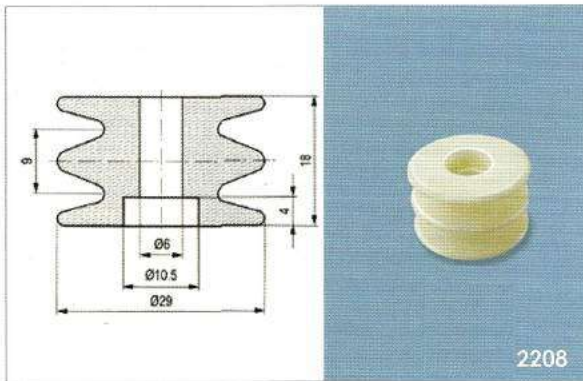
2205

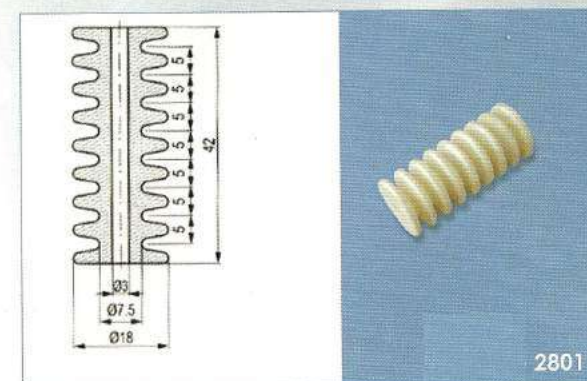
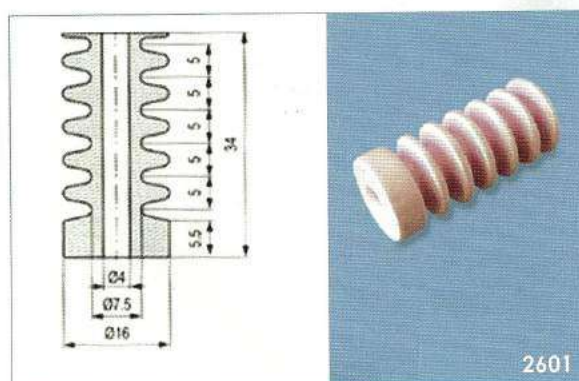
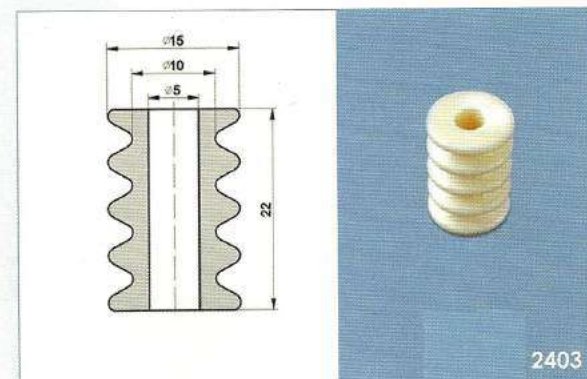
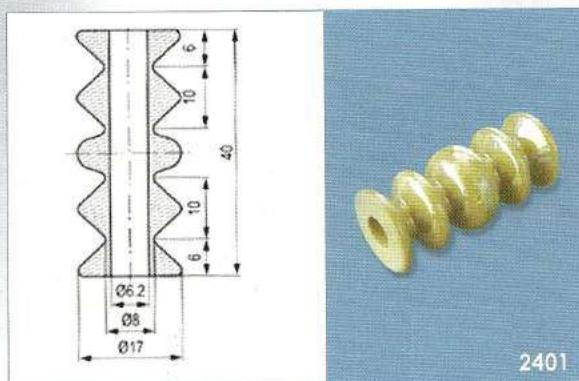
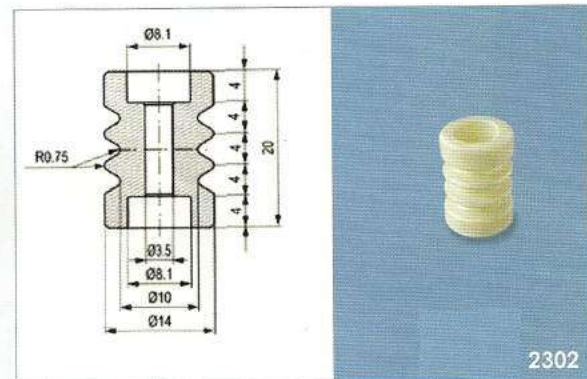
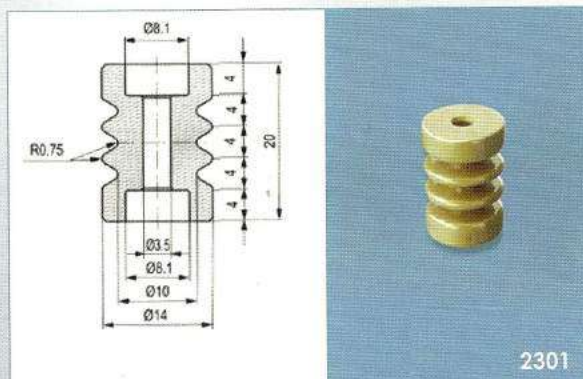
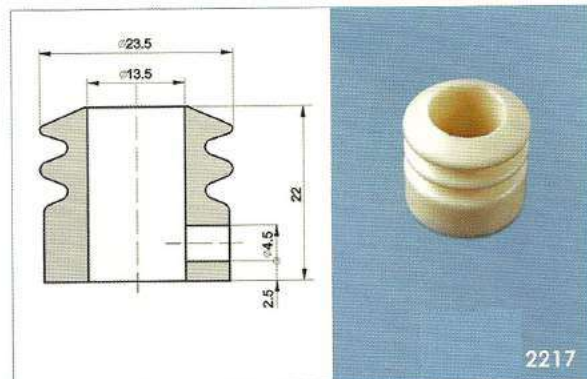
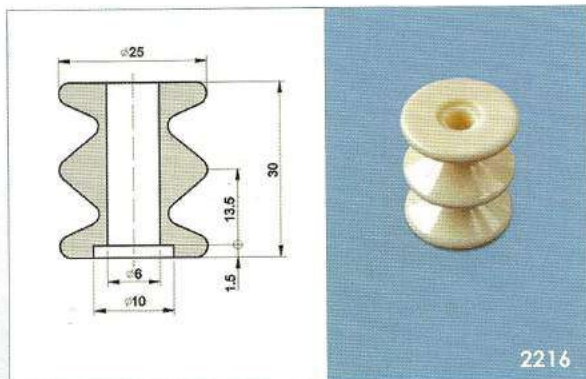


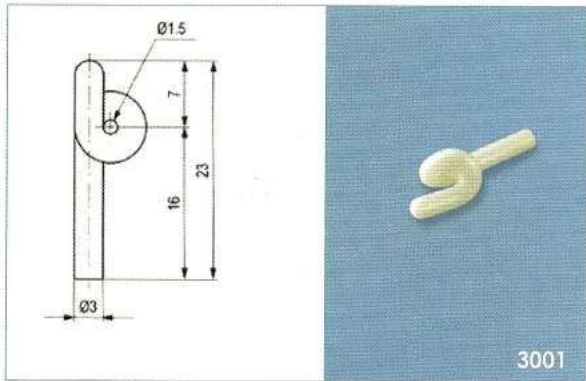
2206



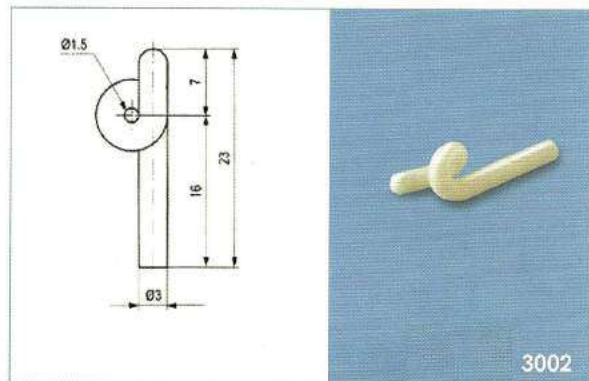
2207



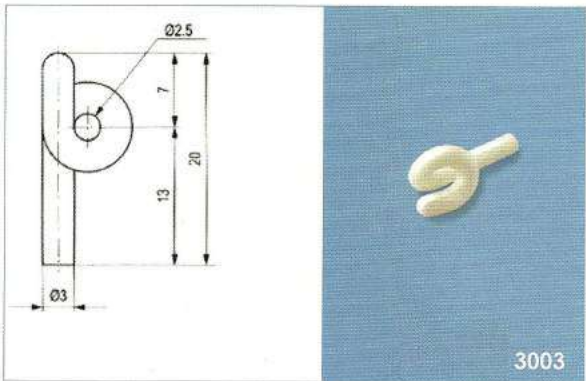




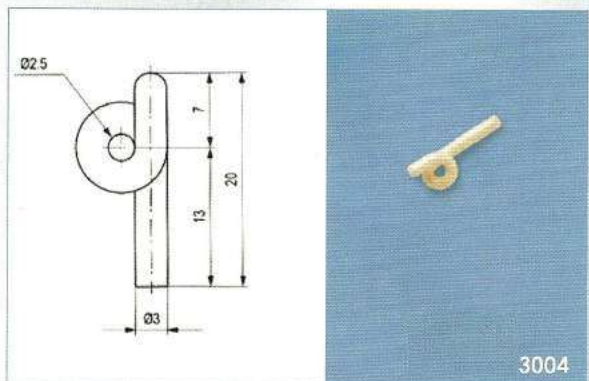
3001



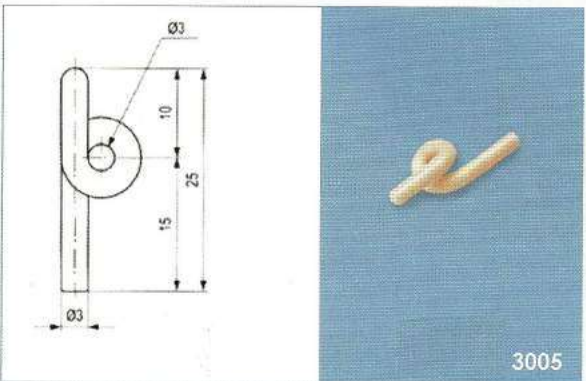
3002



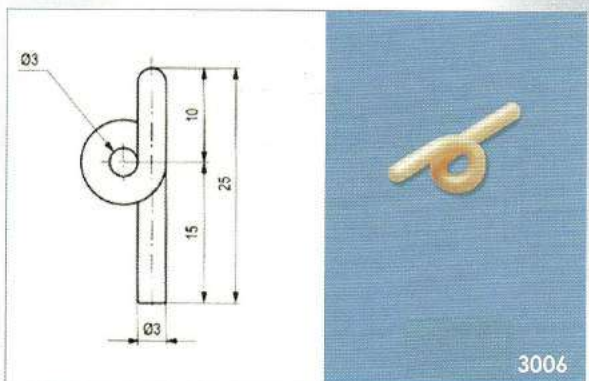
3003



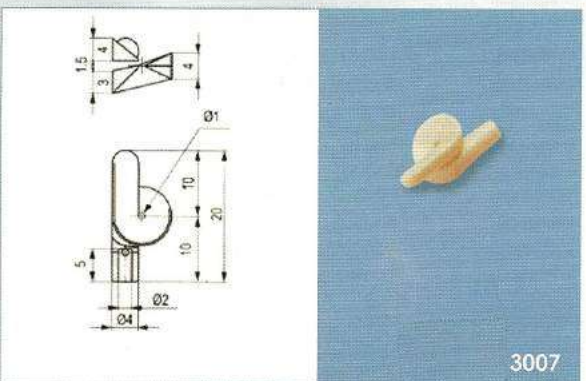
3004



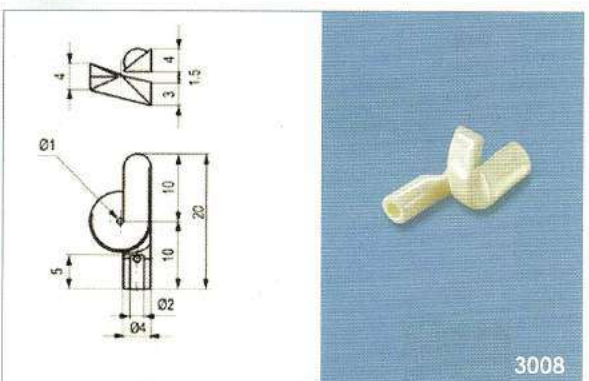
3005



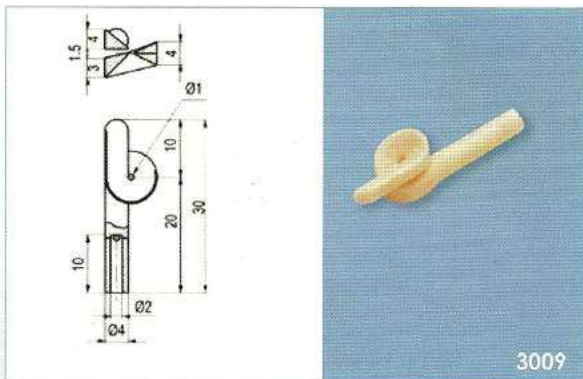
3006



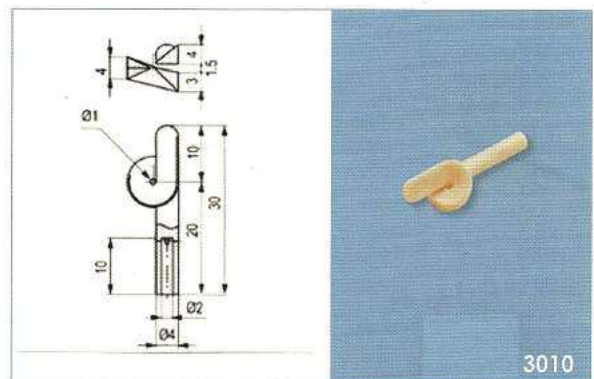
3007



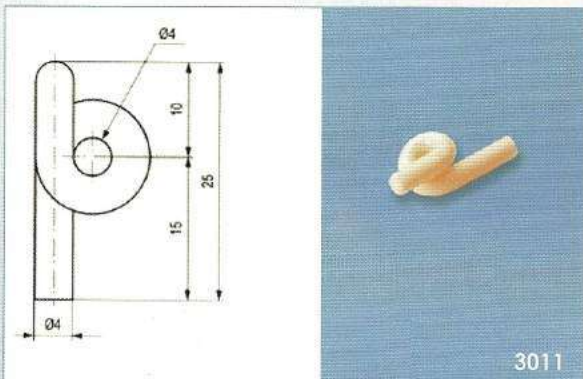
3008



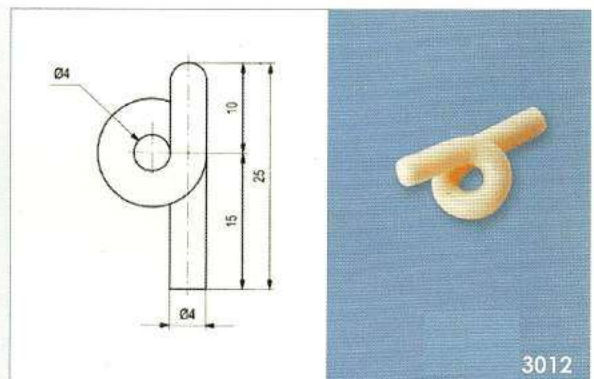
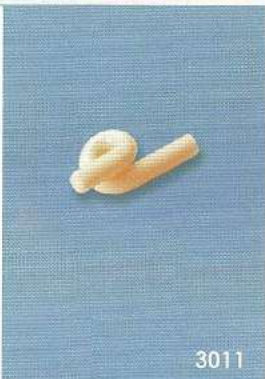
3009



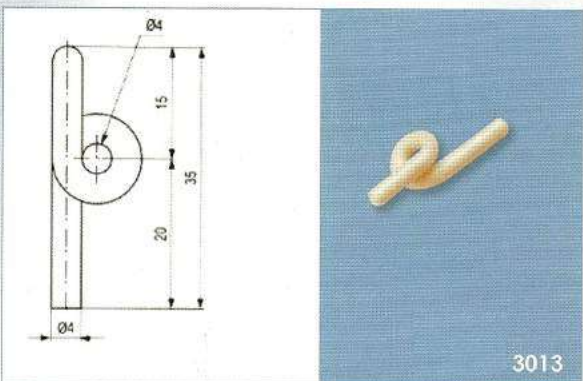
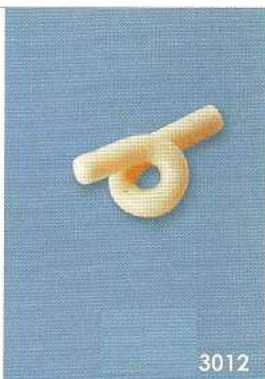
3010



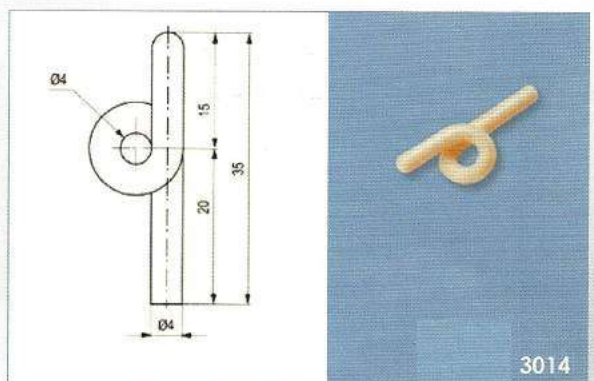
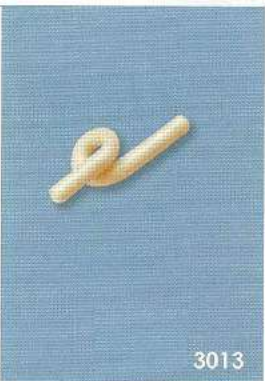
3011



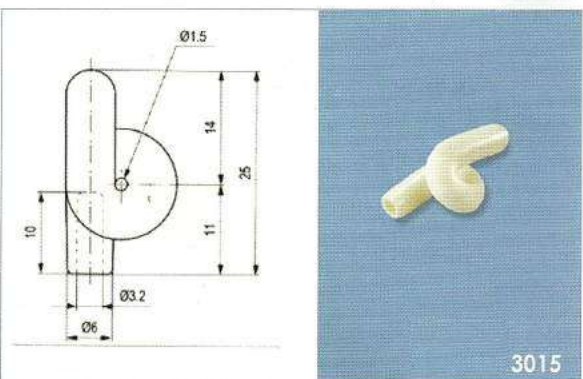
3012



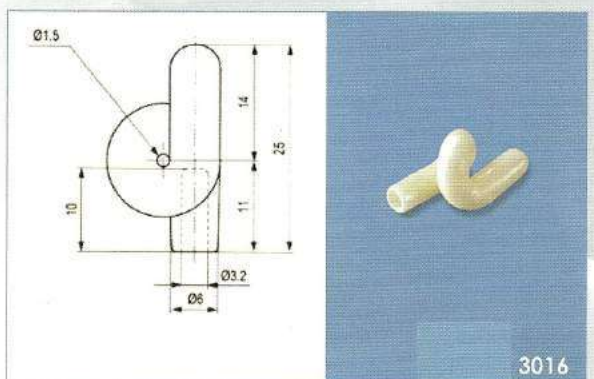
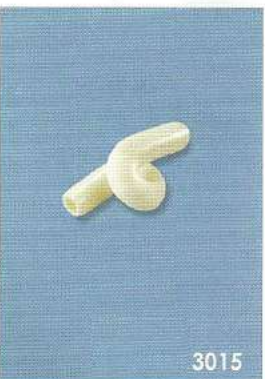
3013



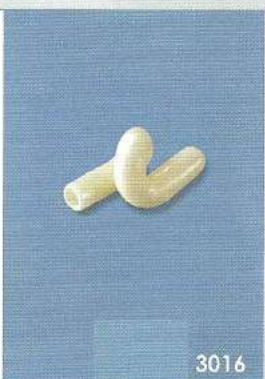
3014

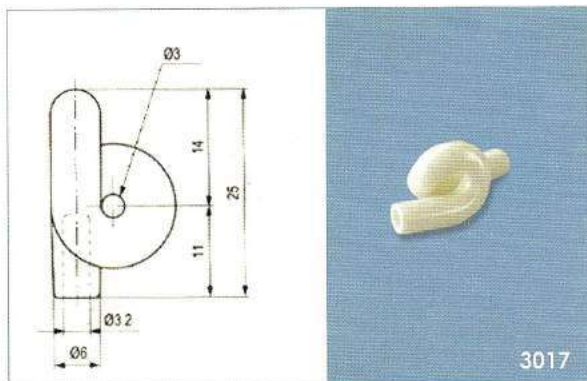


3015

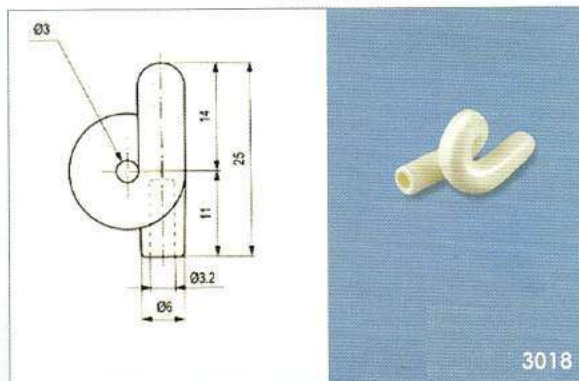


3016

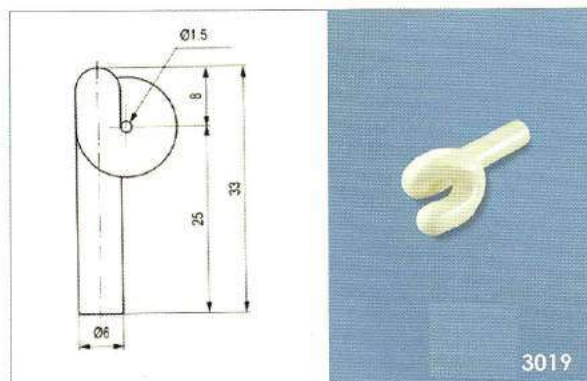




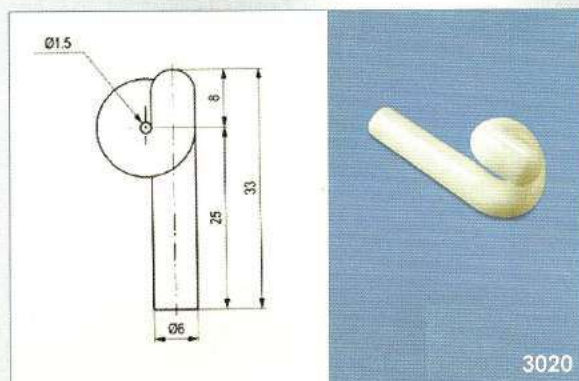
3017



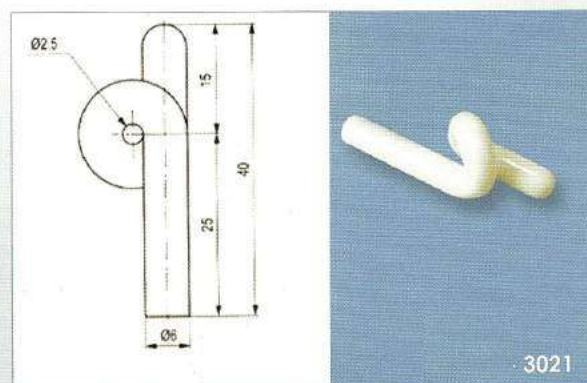
3018



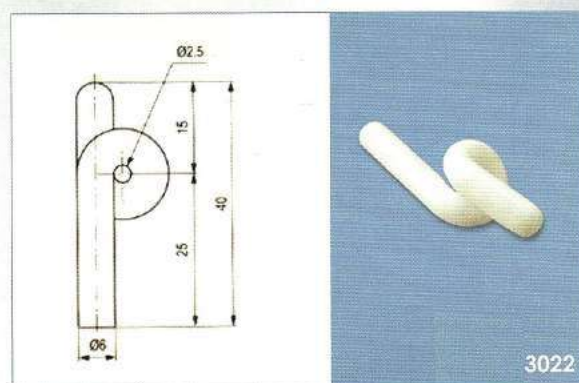
3019



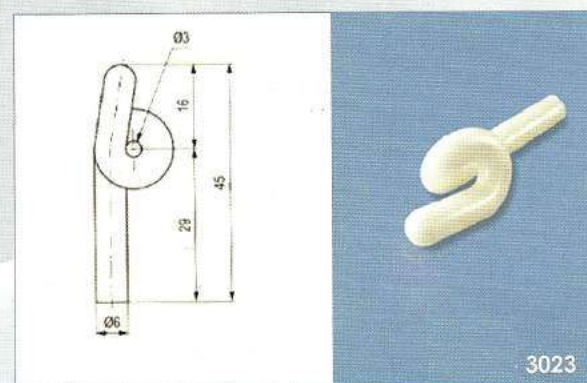
3020



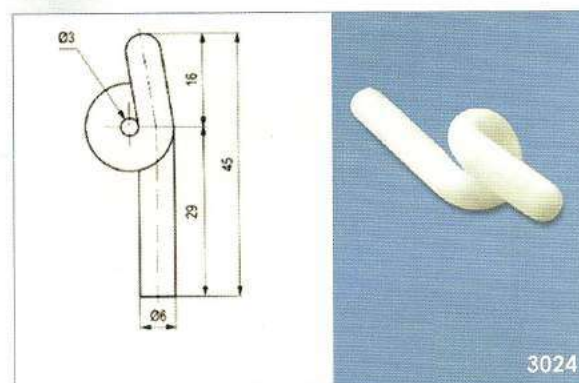
3021



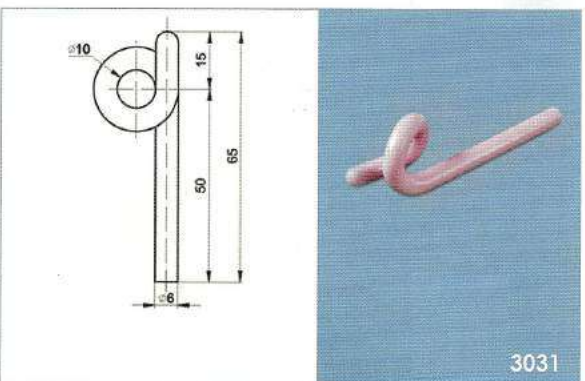
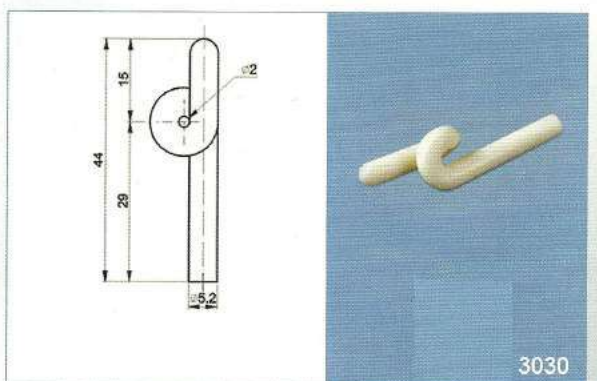
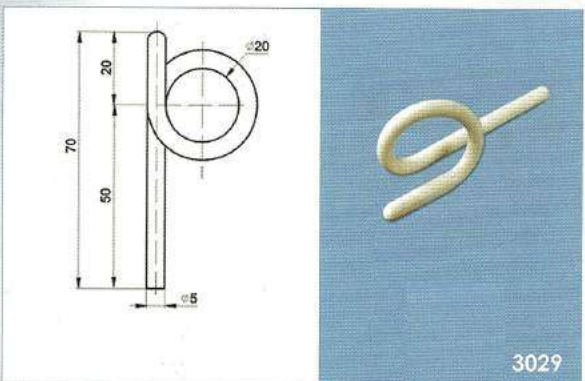
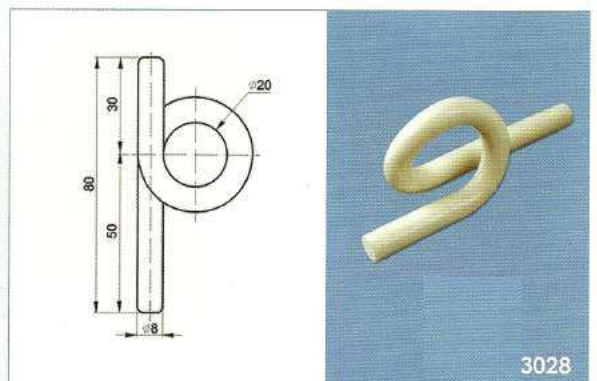
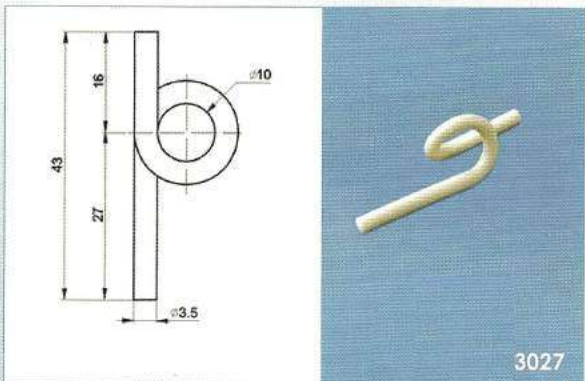
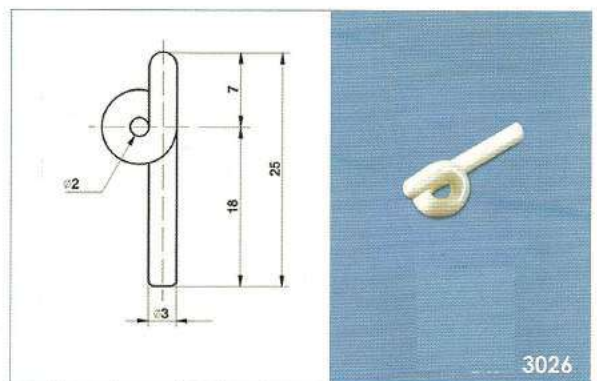
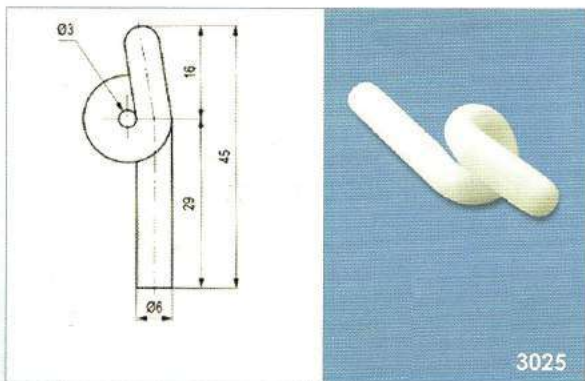
3022

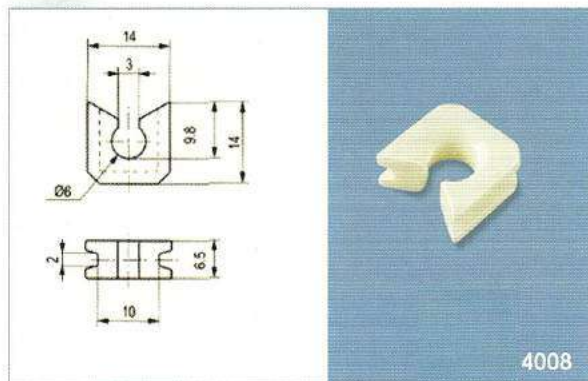
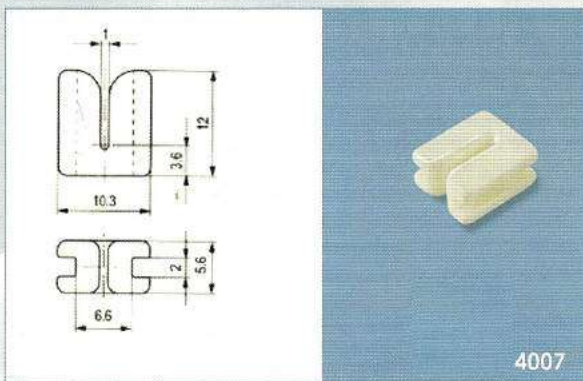
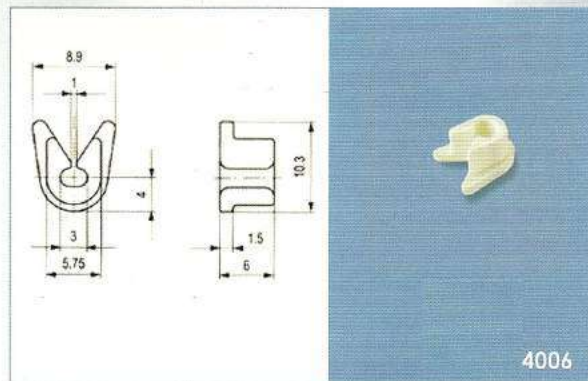
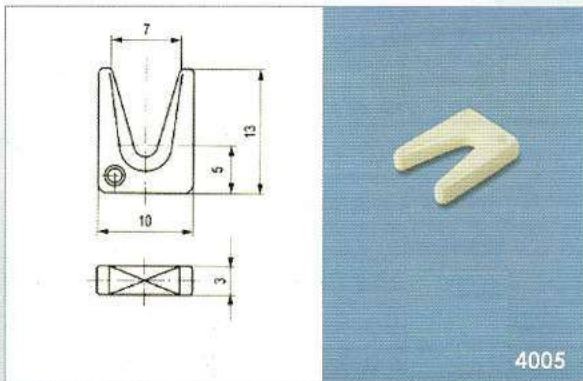
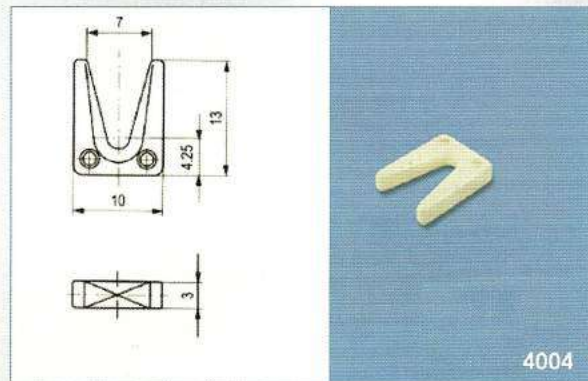
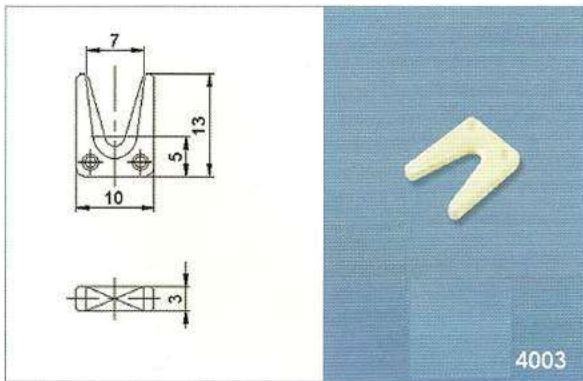
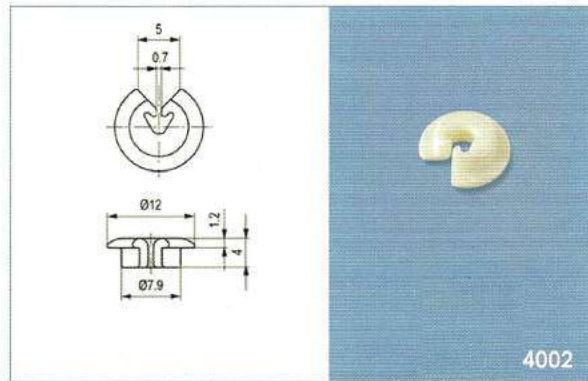
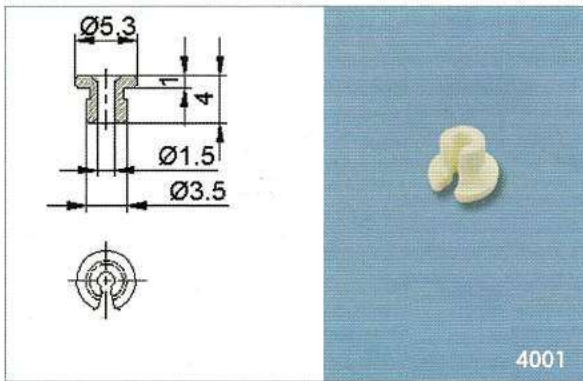


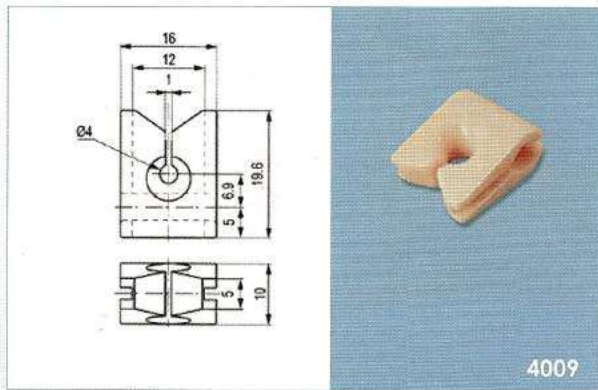
3023



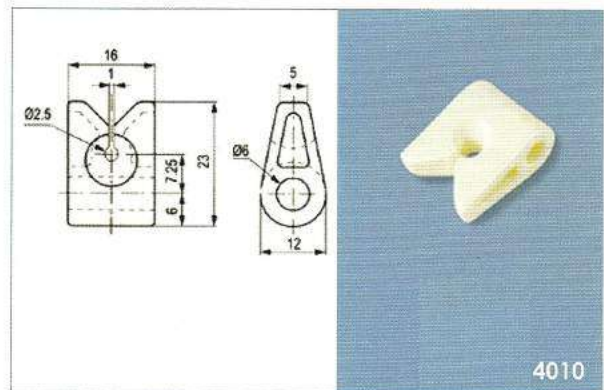
3024



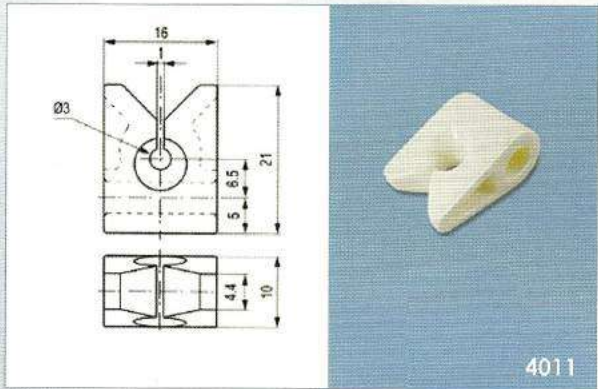




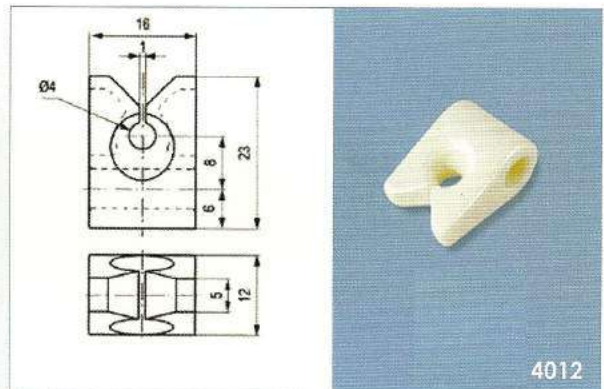
4009



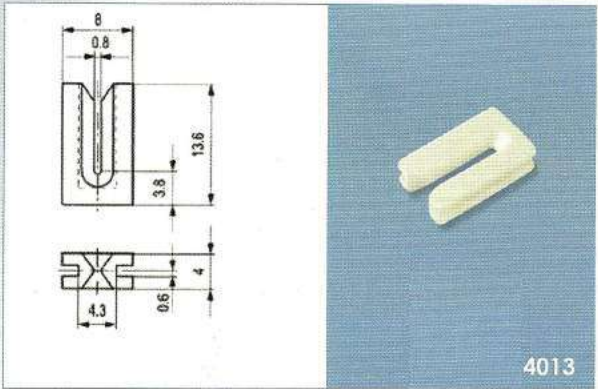
4010



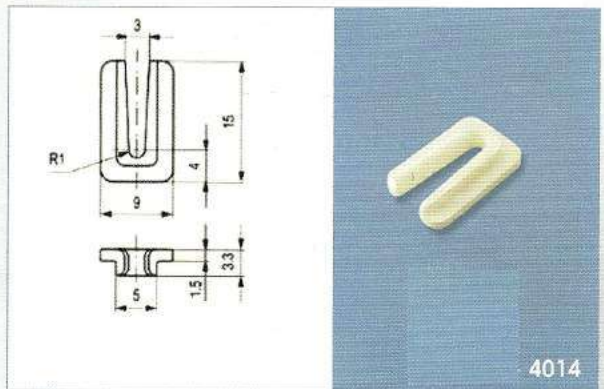
4011



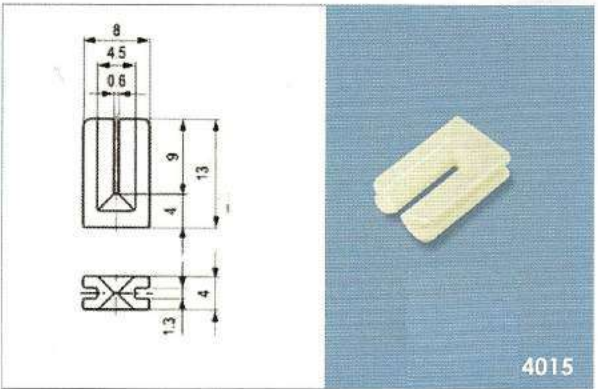
4012



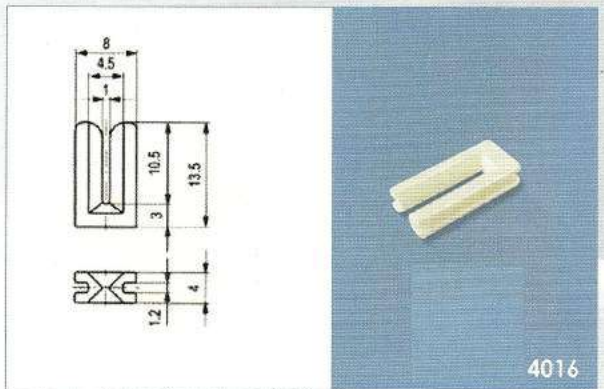
4013



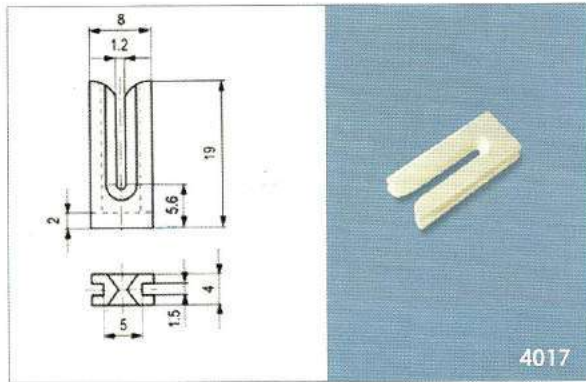
4014



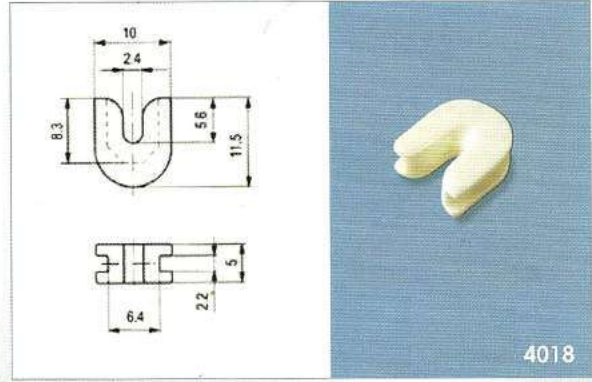
4015



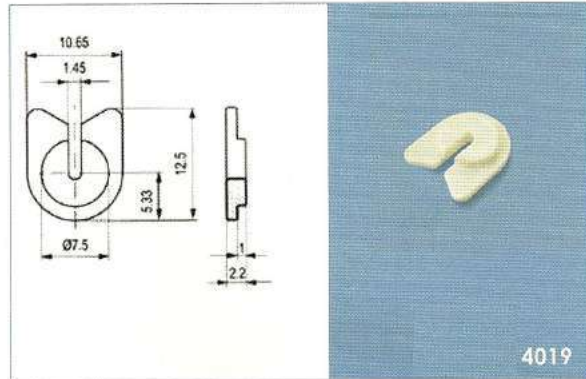
4016



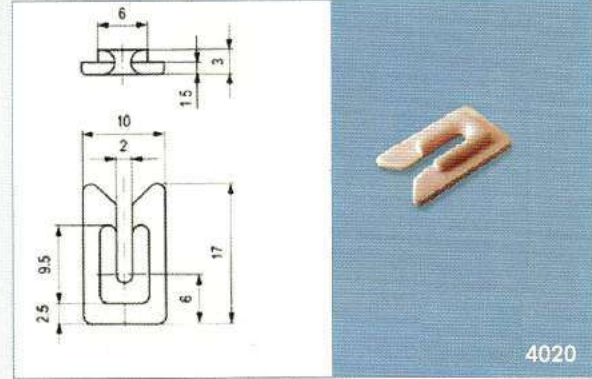
4017



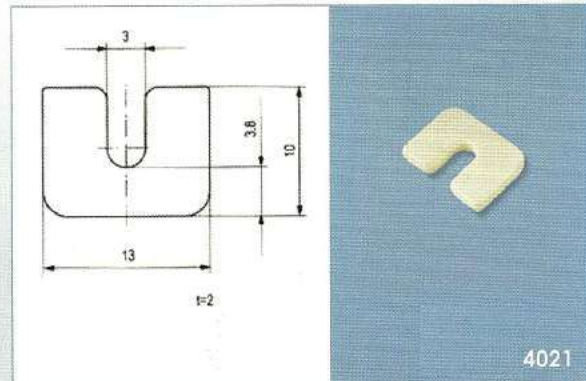
4018



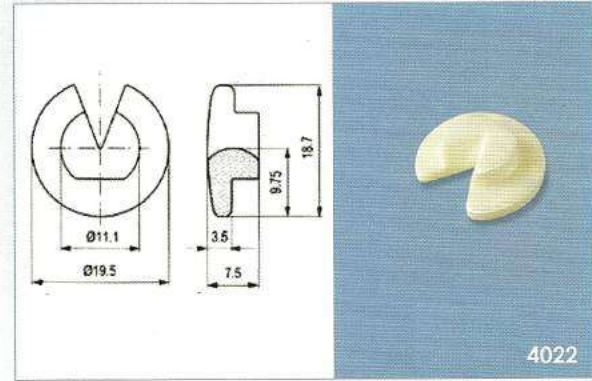
4019



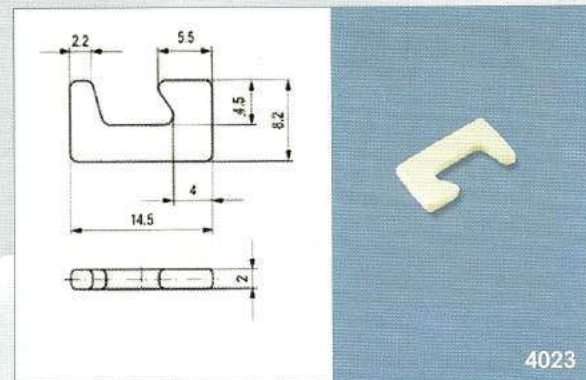
4020



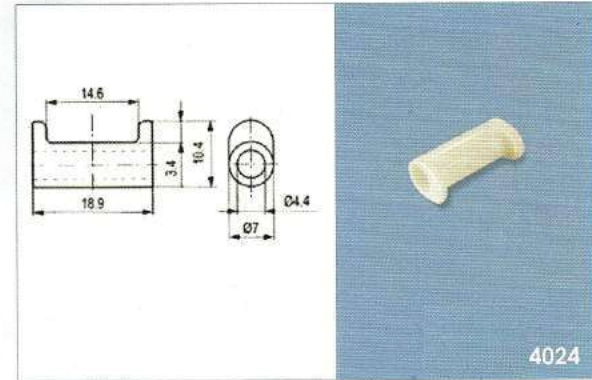
4021



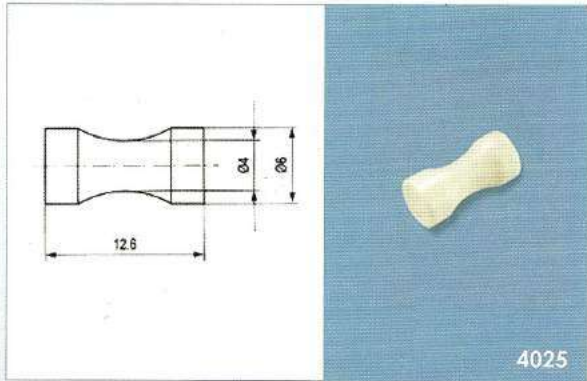
4022



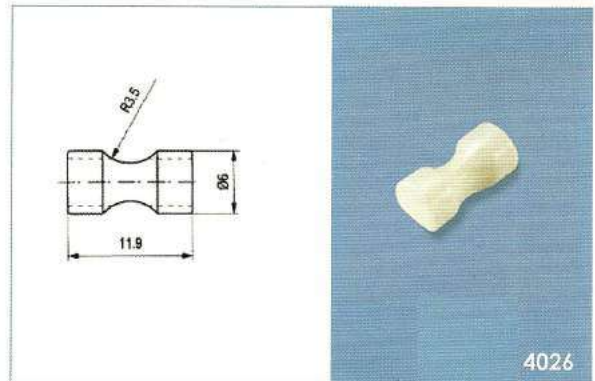
4023



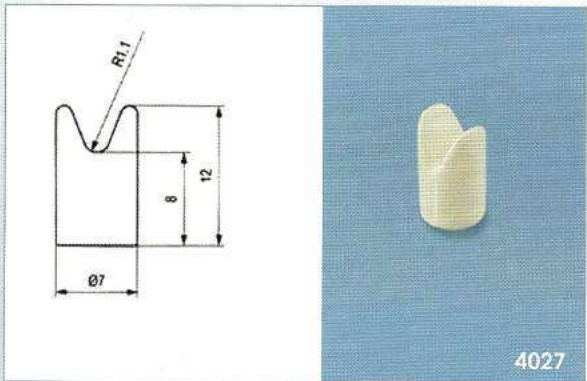
4024



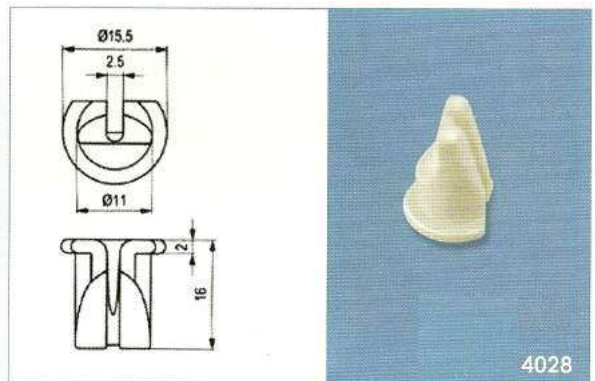
4025



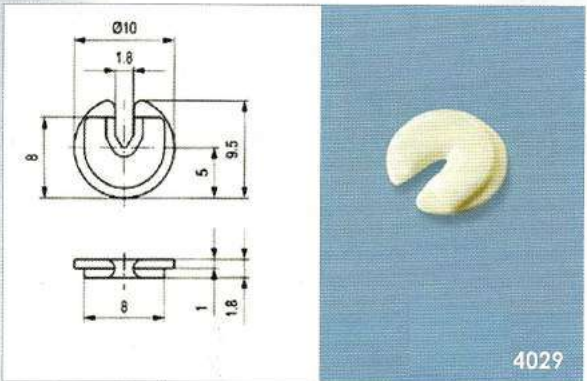
4026



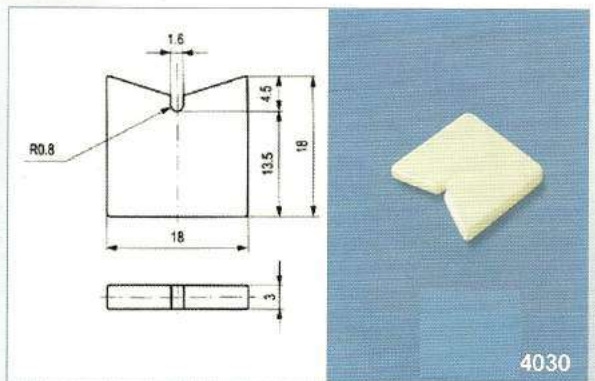
4027



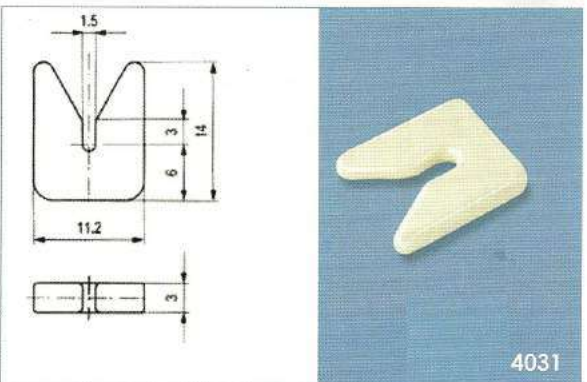
4028



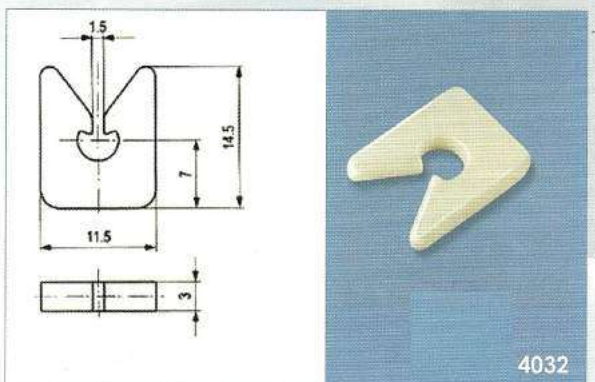
4029



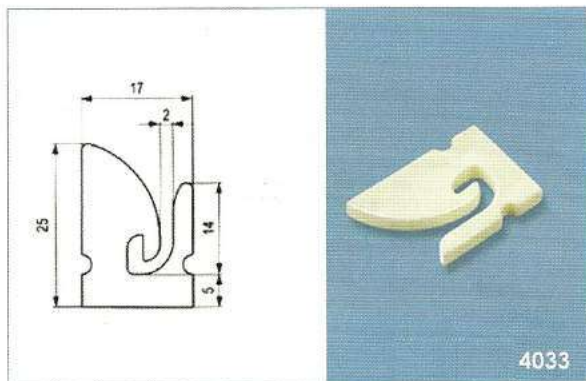
4030



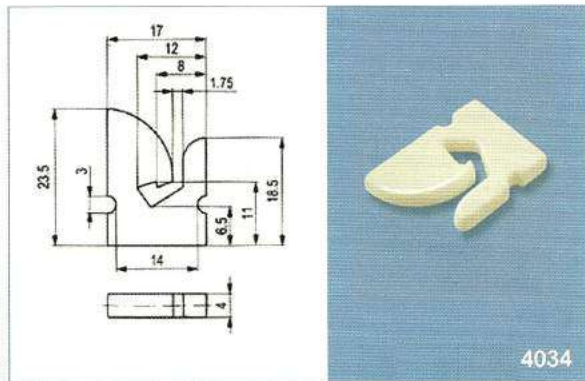
4031



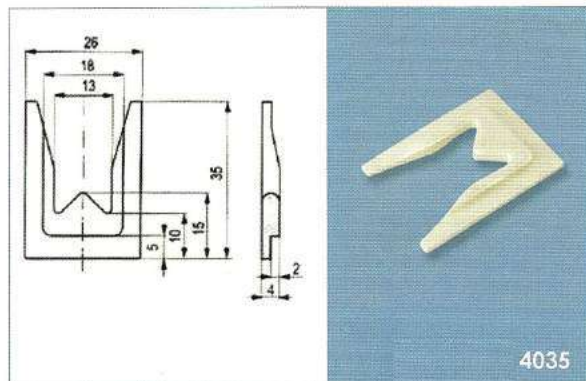
4032



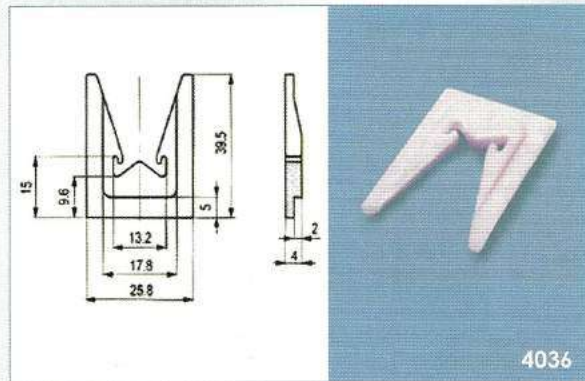
4033



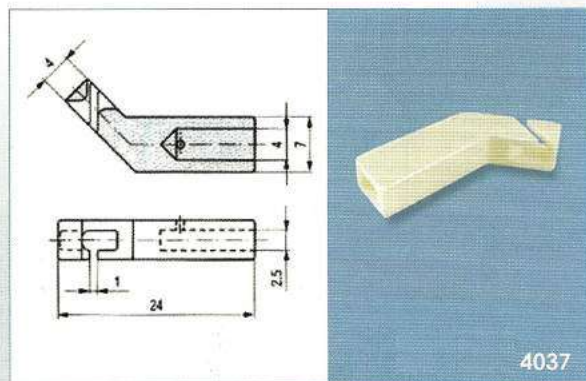
4034



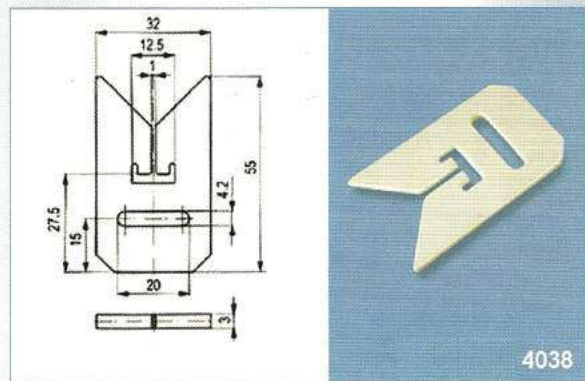
4035



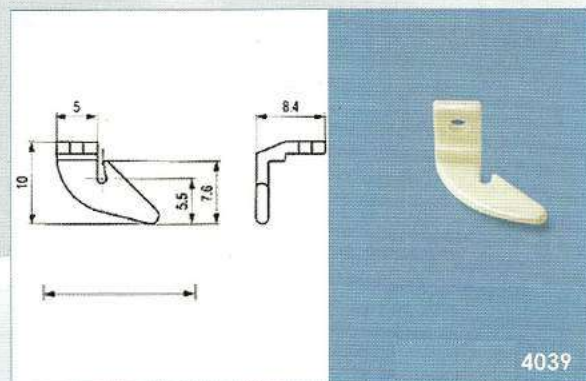
4036



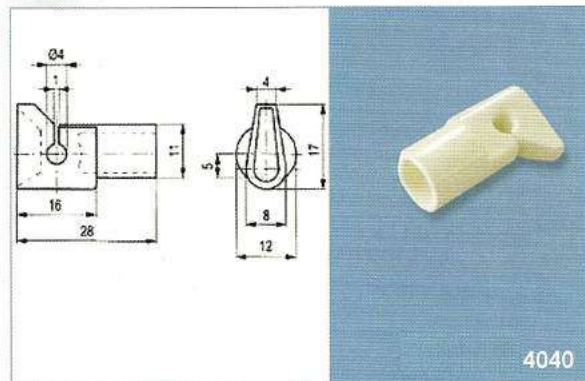
4037



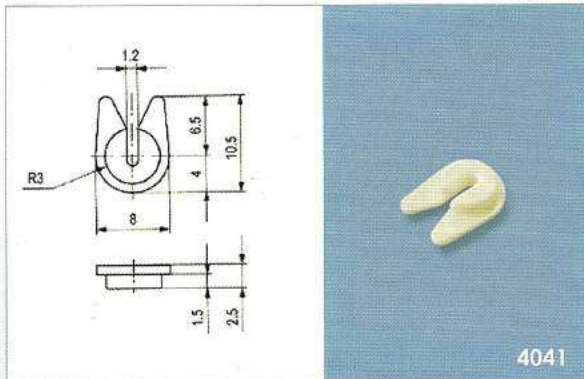
4038



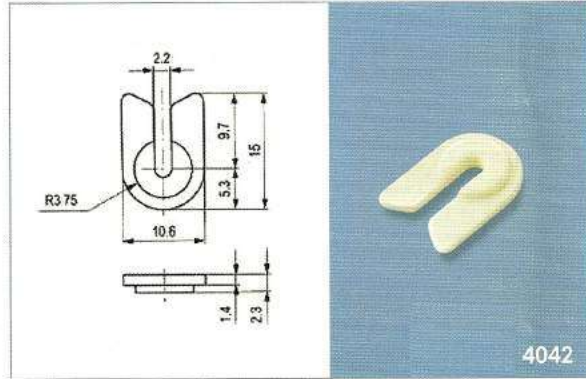
4039



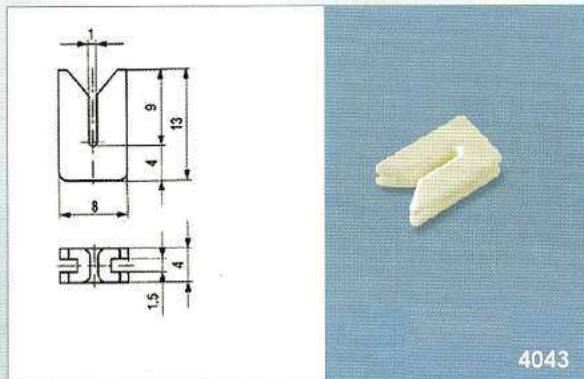
4040



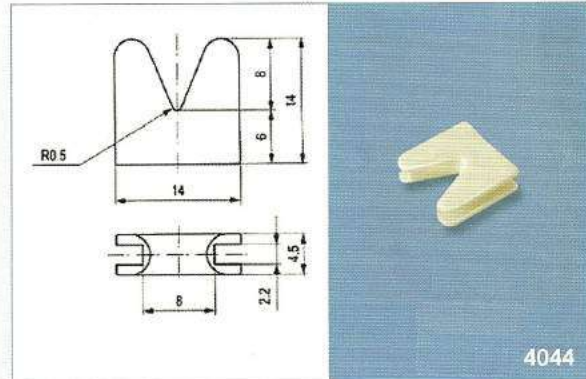
4041



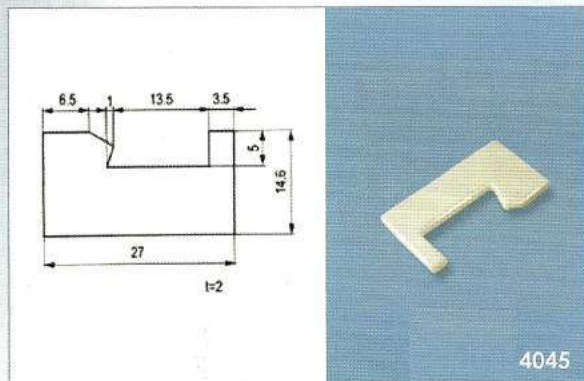
4042



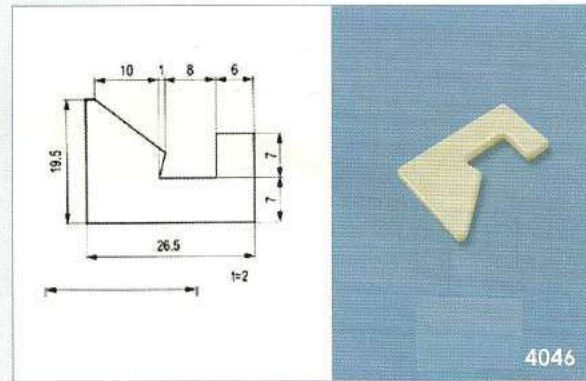
4043



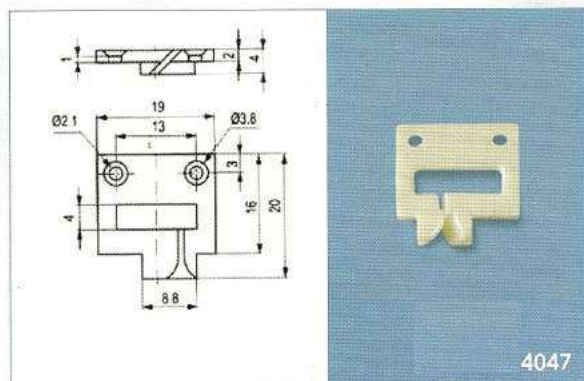
4044



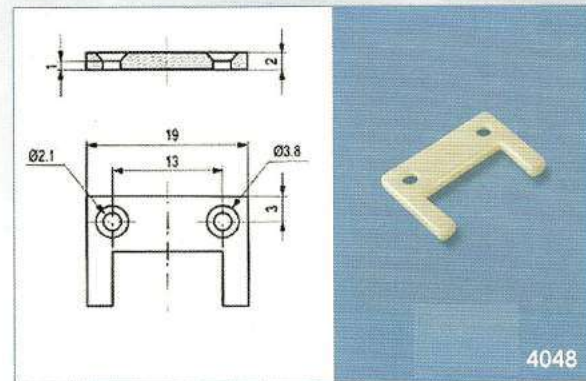
4045



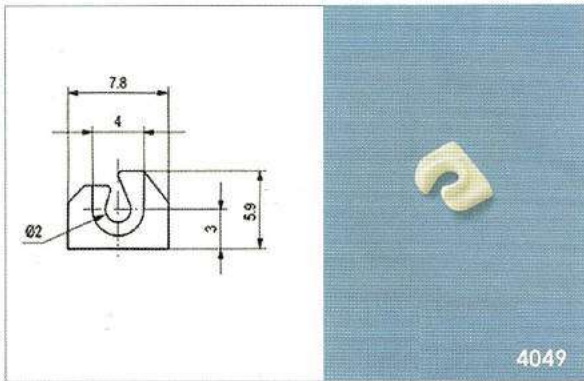
4046



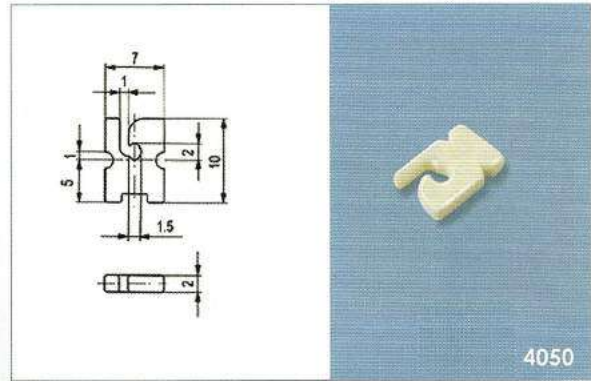
4047



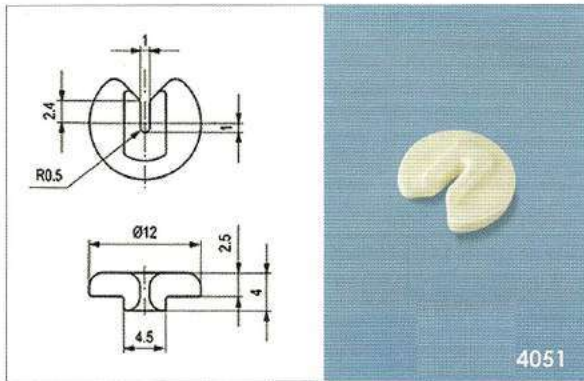
4048



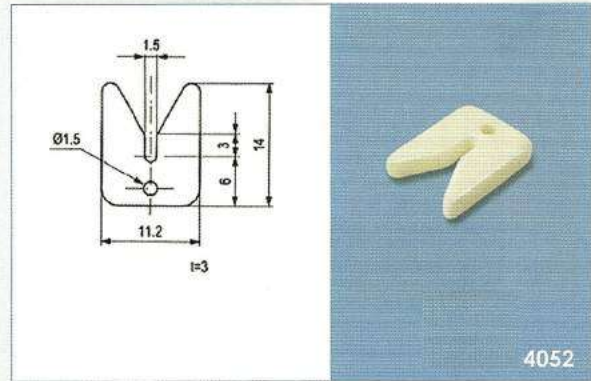
4049



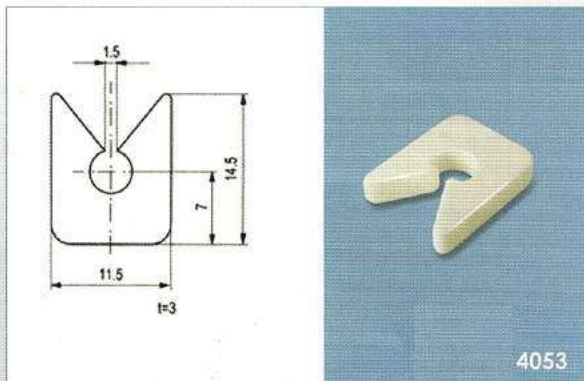
4050



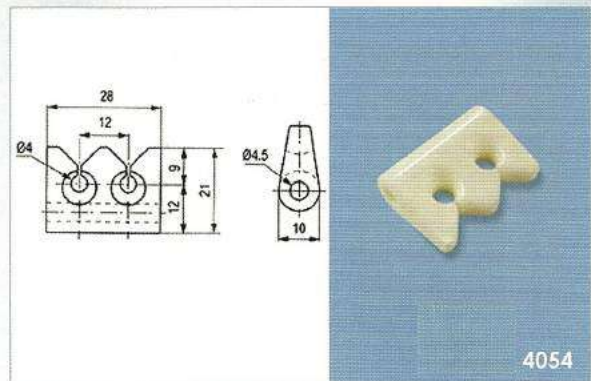
4051



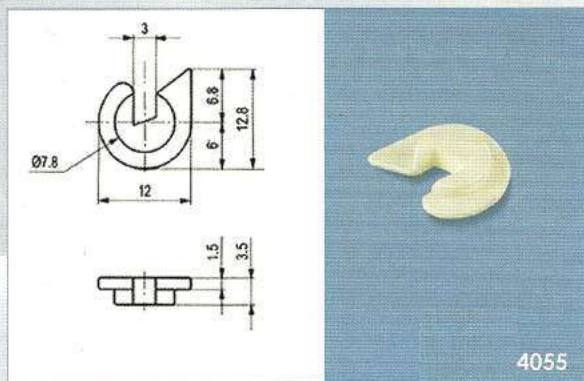
4052



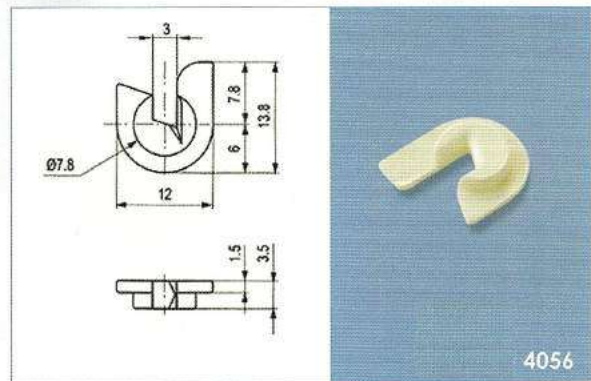
4053



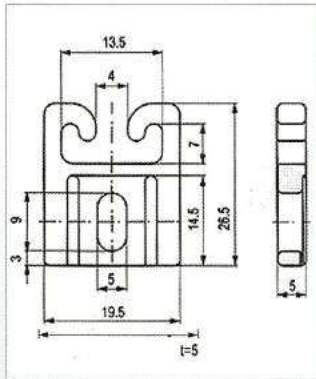
4054



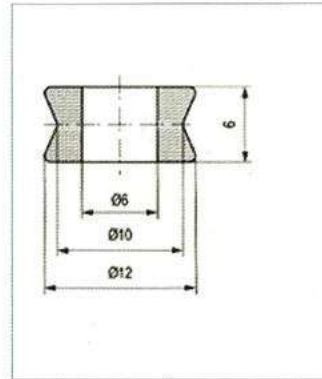
4055



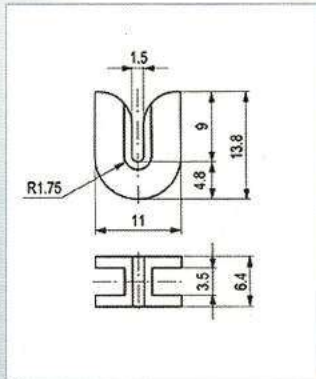
4056



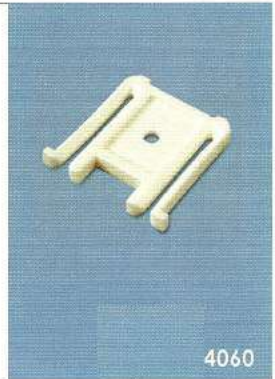
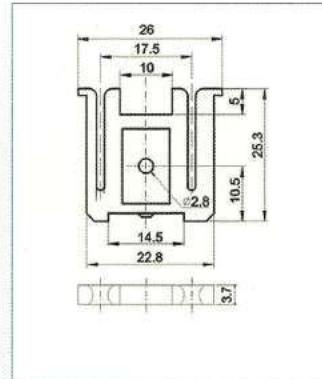
4057



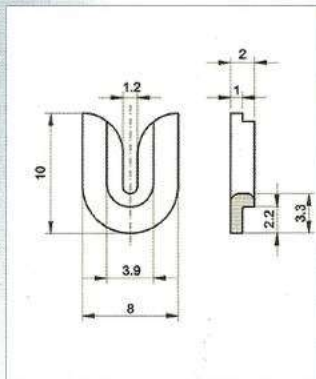
4058



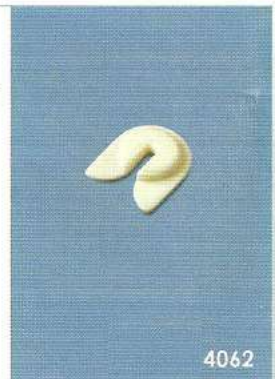
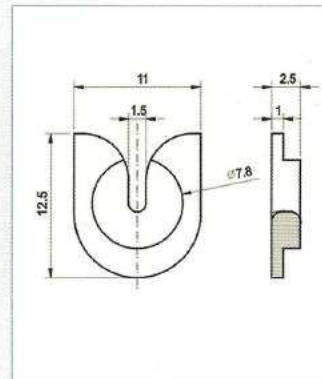
4059



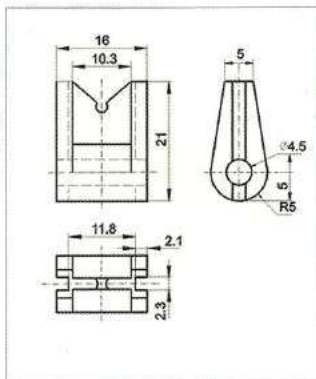
4060



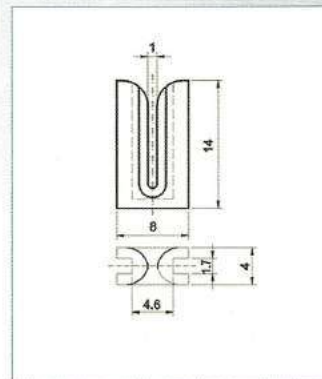
4061



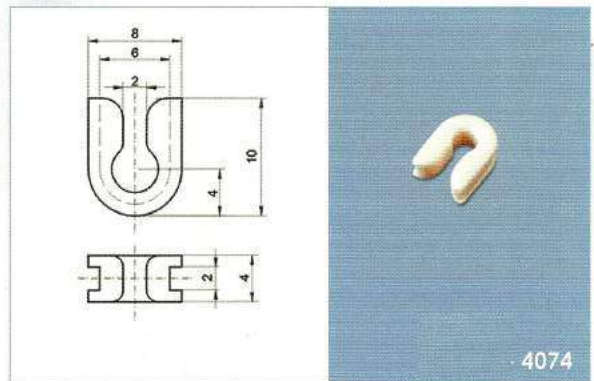
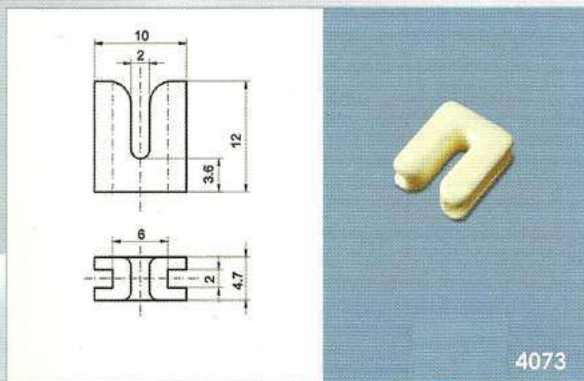
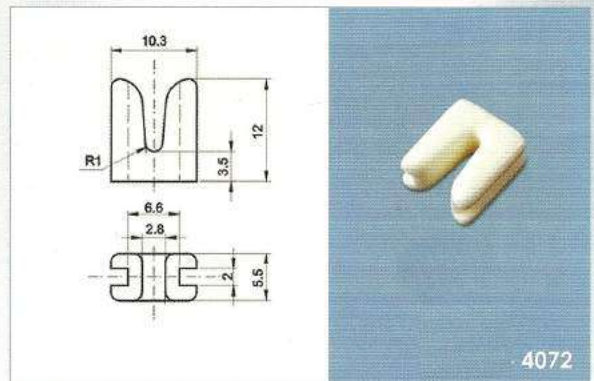
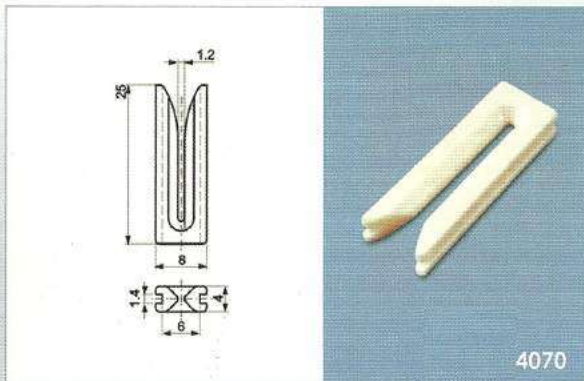
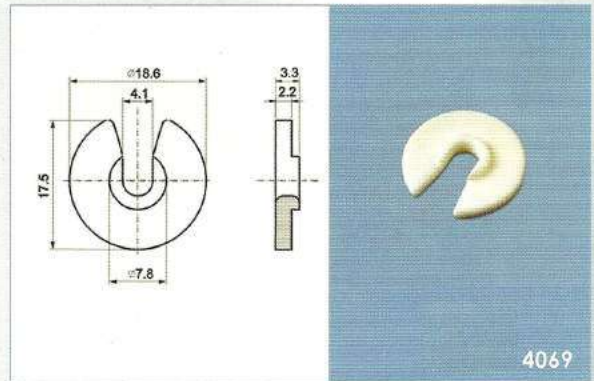
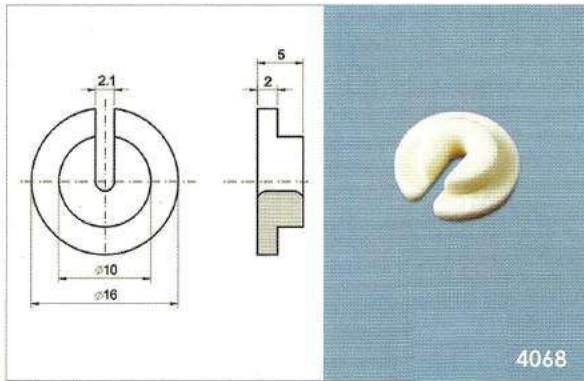
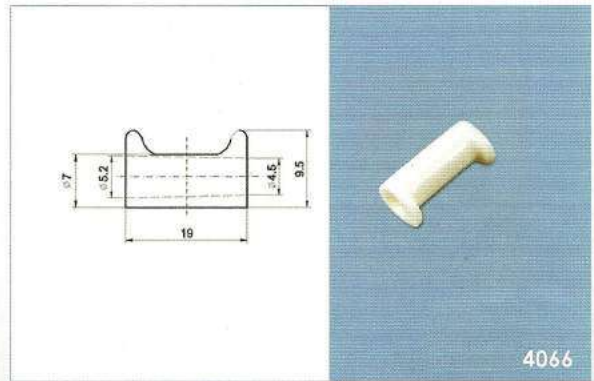
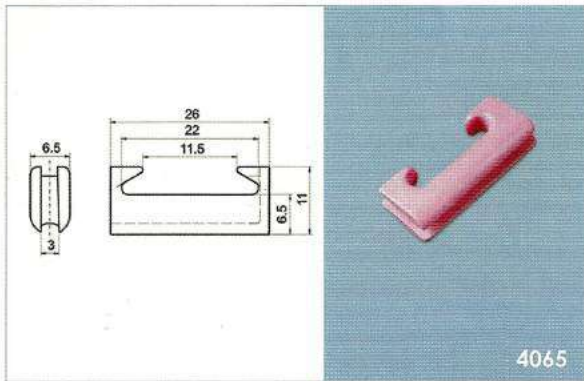
4062

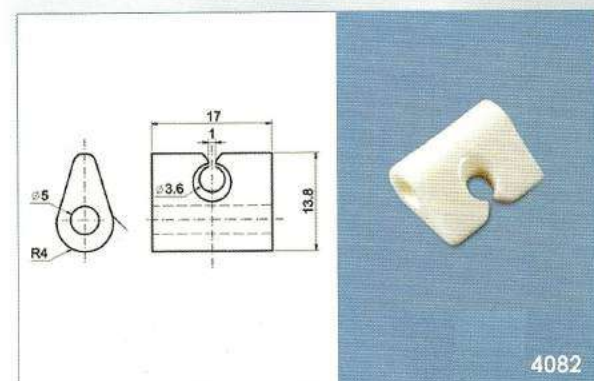
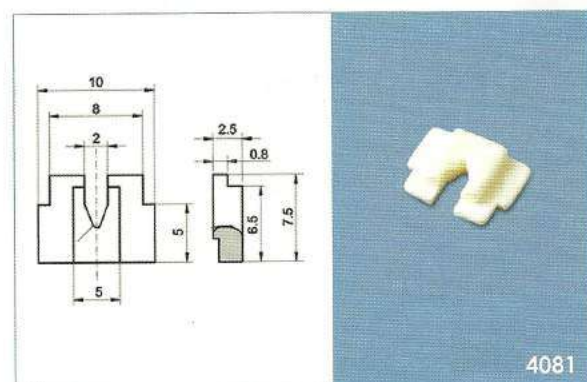
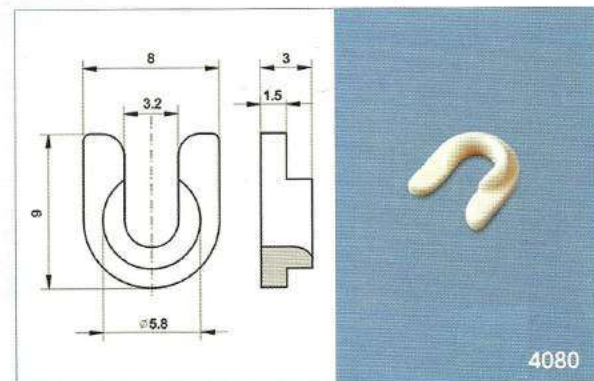
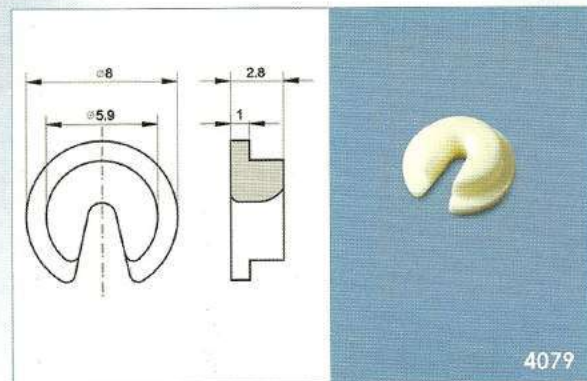
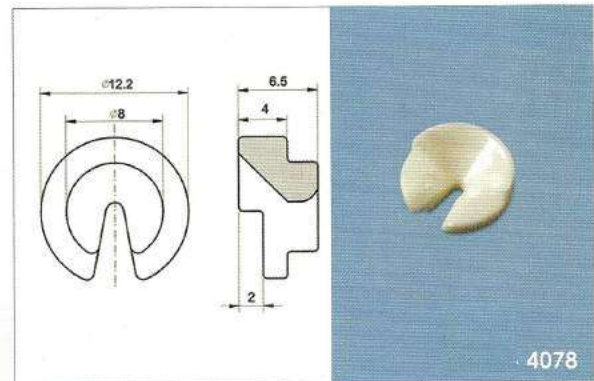
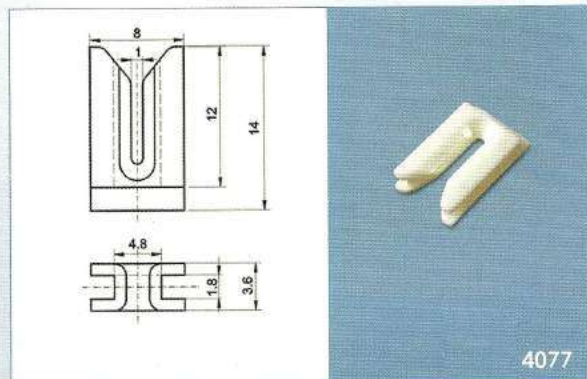
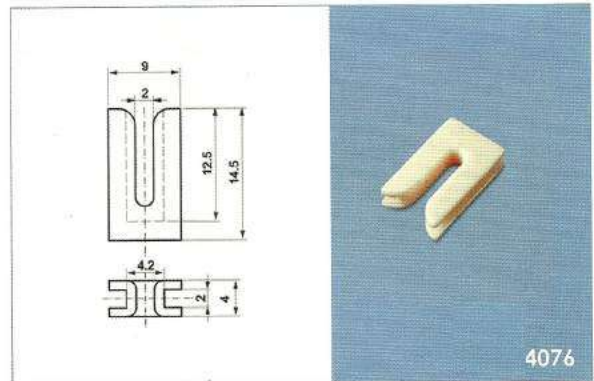
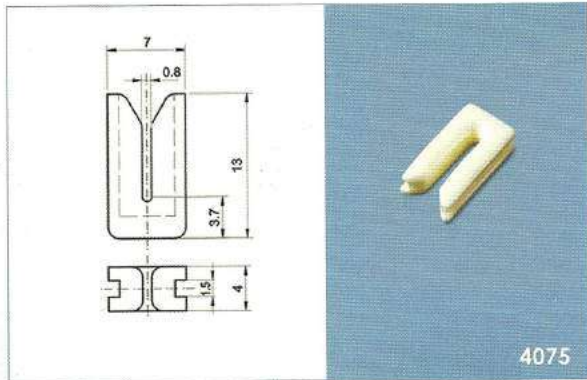


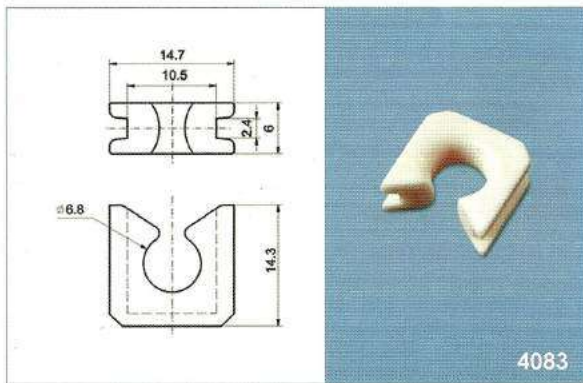
4063



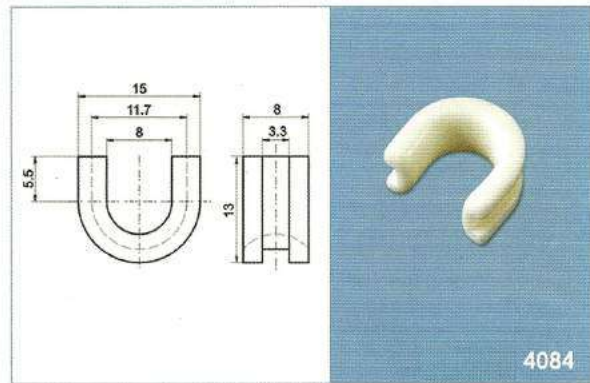
4064



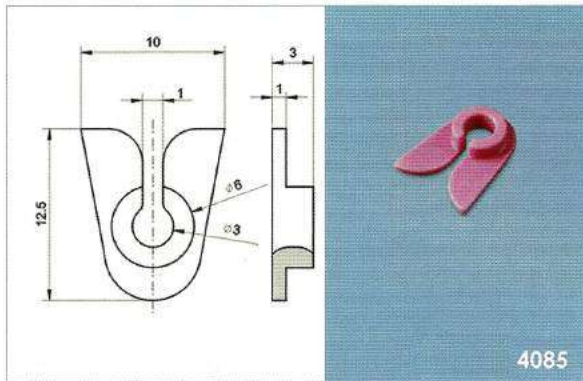




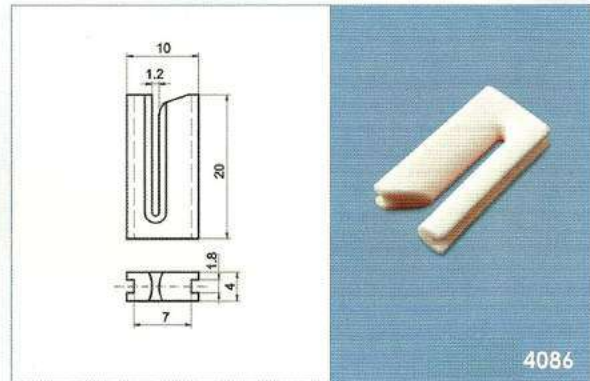
4083



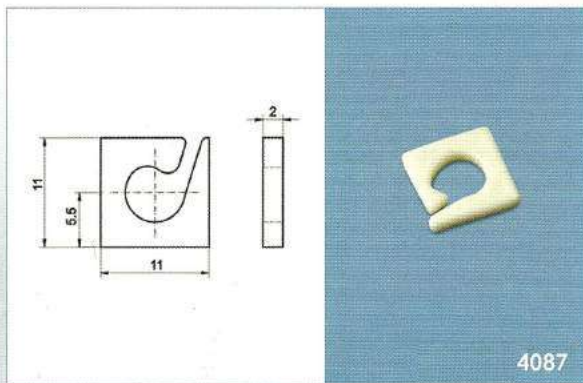
4084



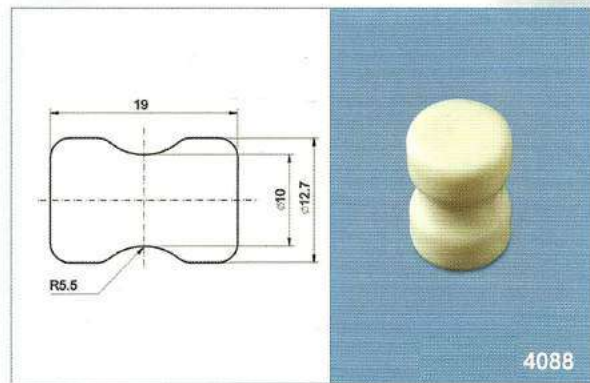
4085



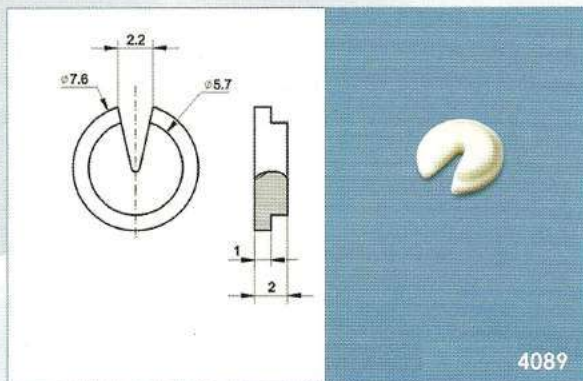
4086



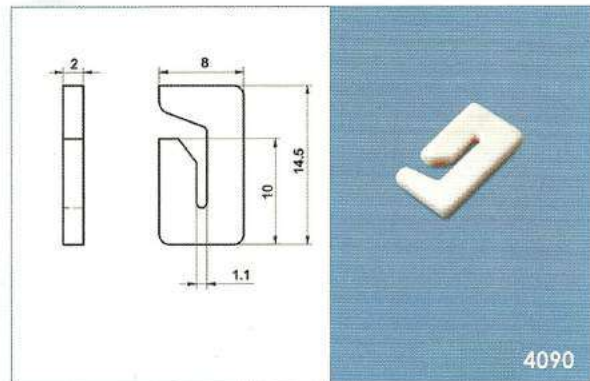
4087



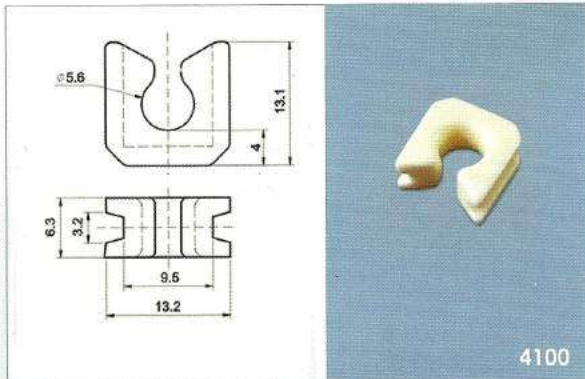
4088



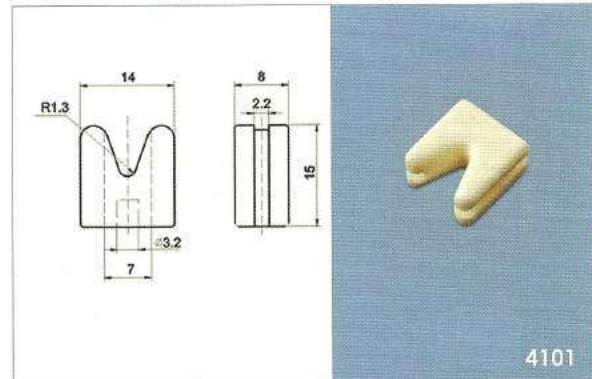
4089



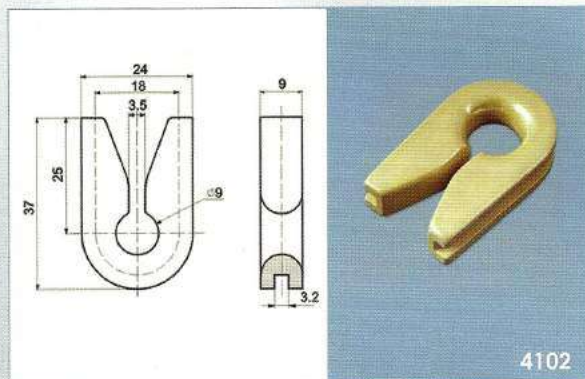
4090



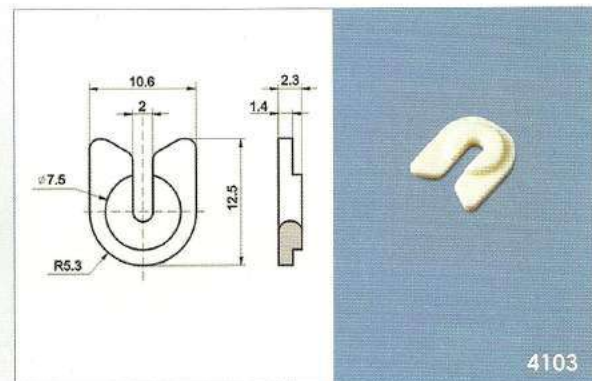
4100



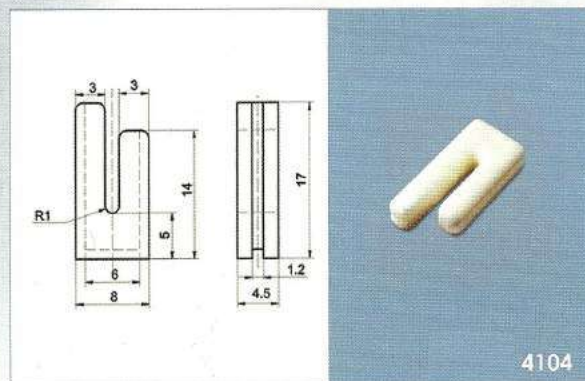
4101



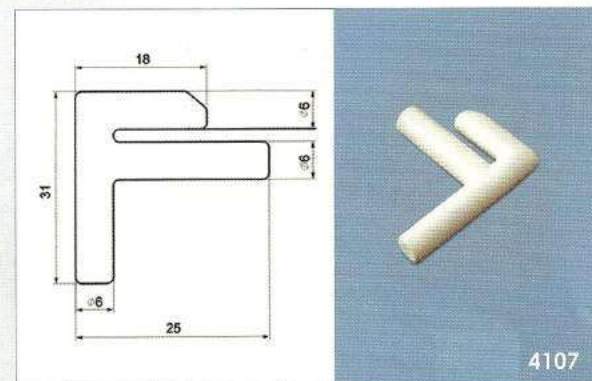
4102



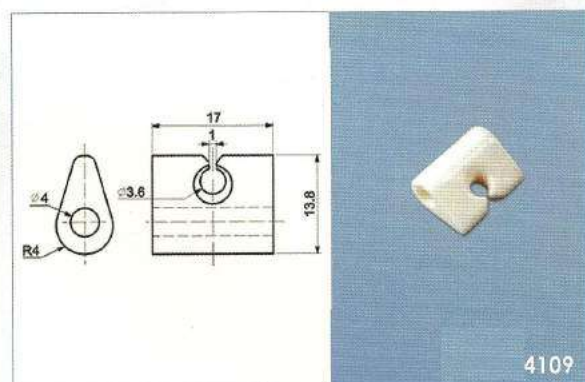
4103



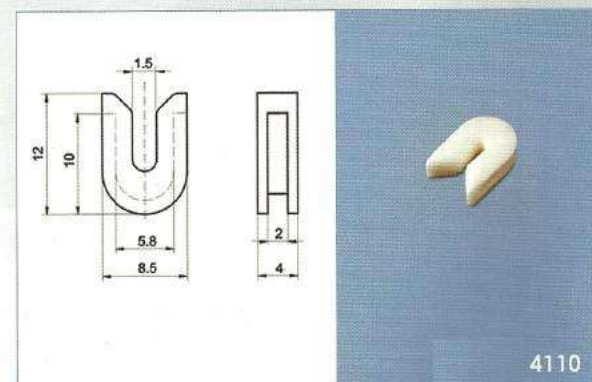
4104



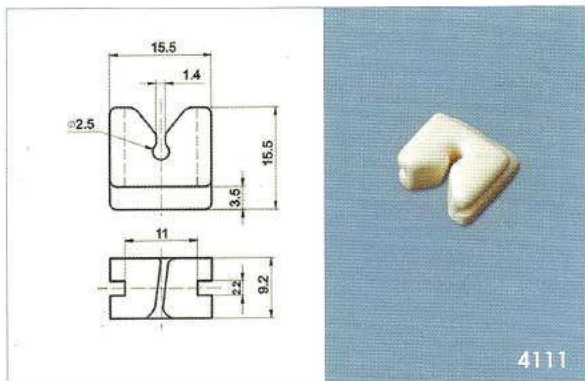
4107



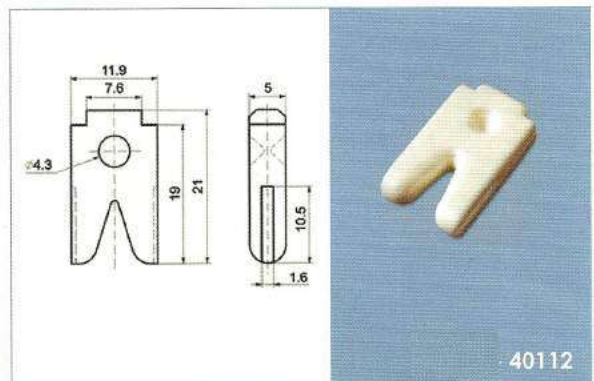
4109



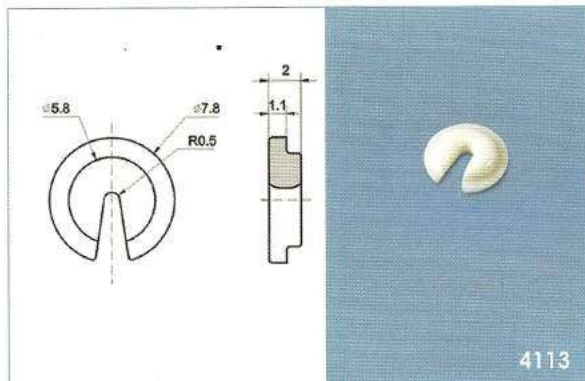
4110



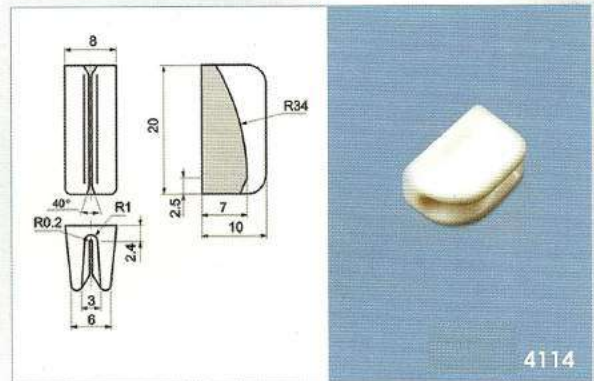
4111



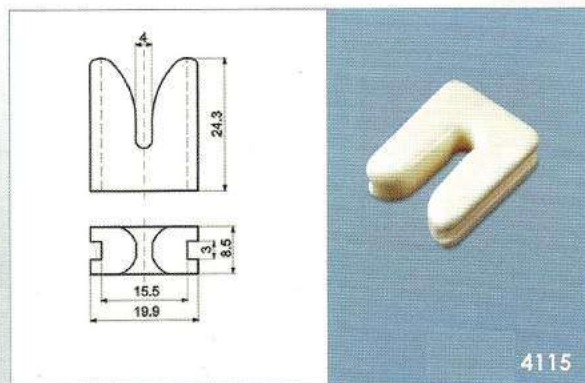
40112



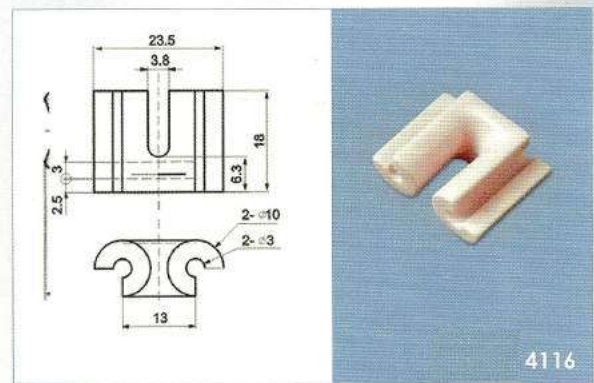
4113



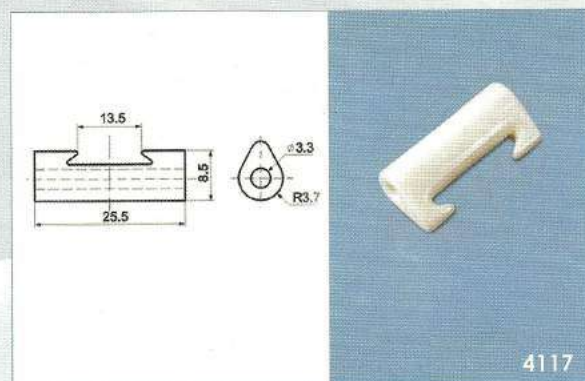
4114



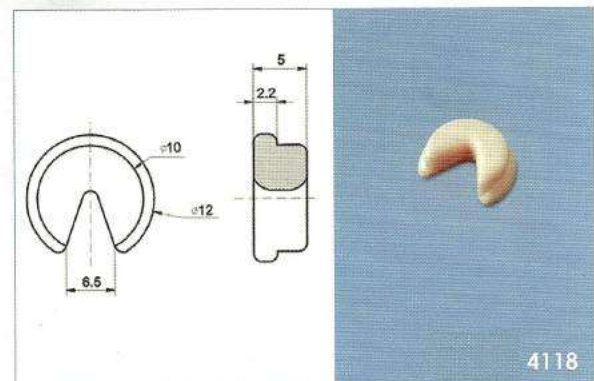
4115



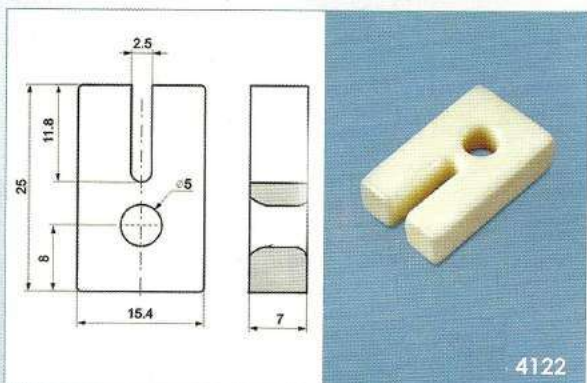
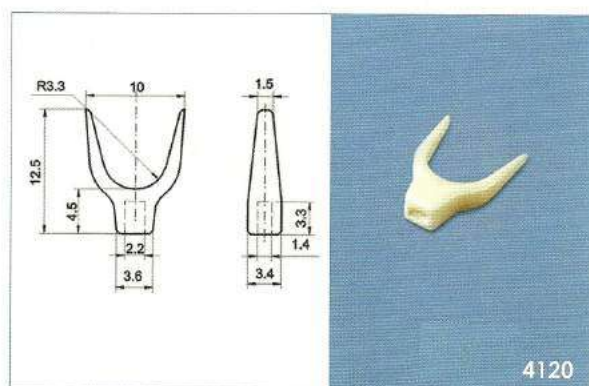
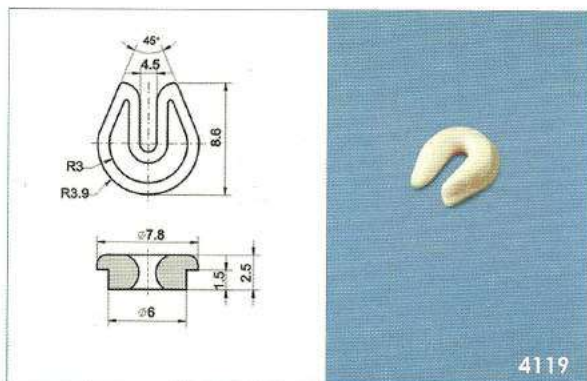
4116

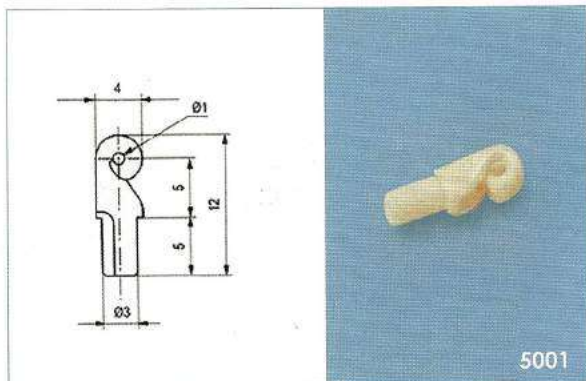


4117

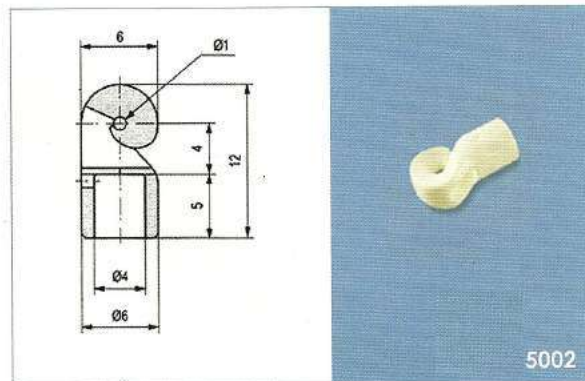


4118

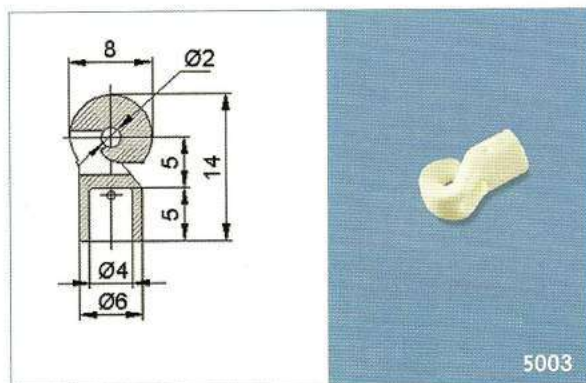




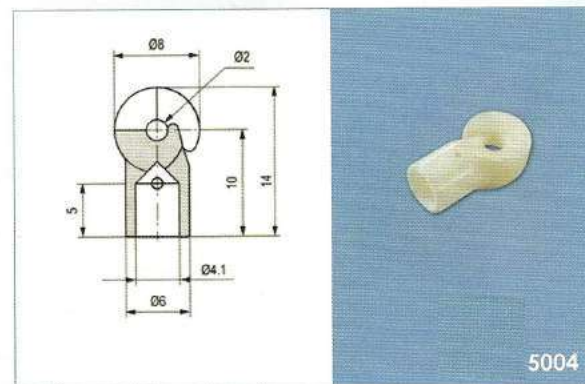
5001



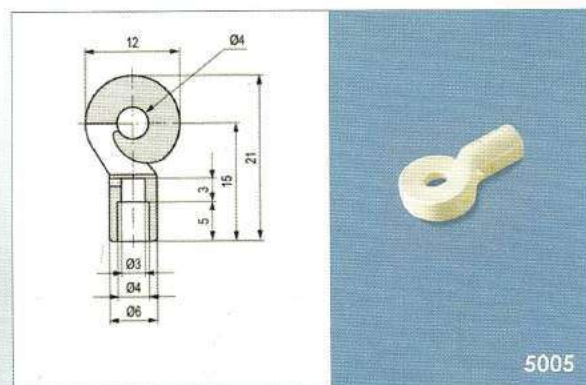
5002



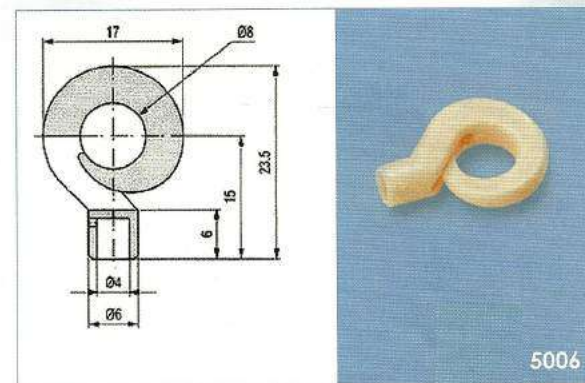
5003



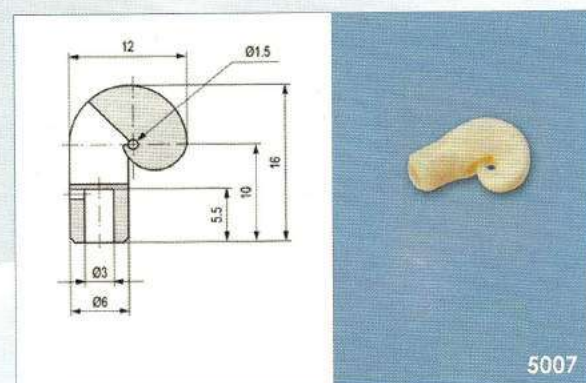
5004



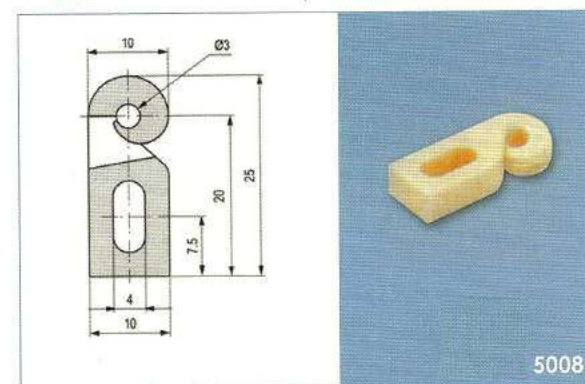
5005



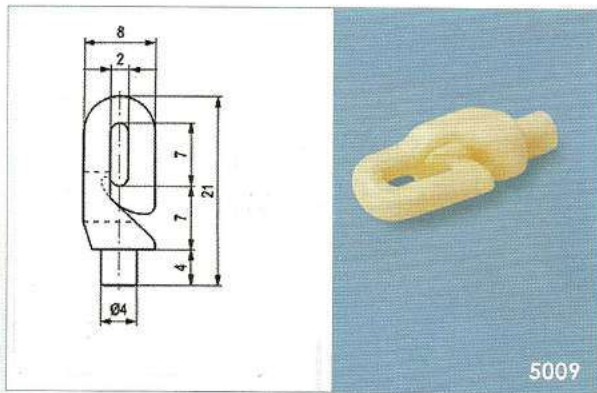
5006



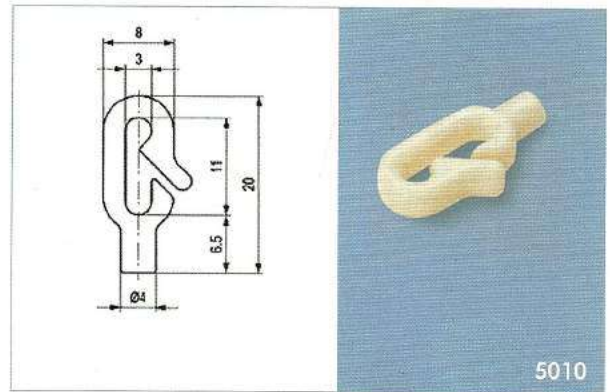
5007



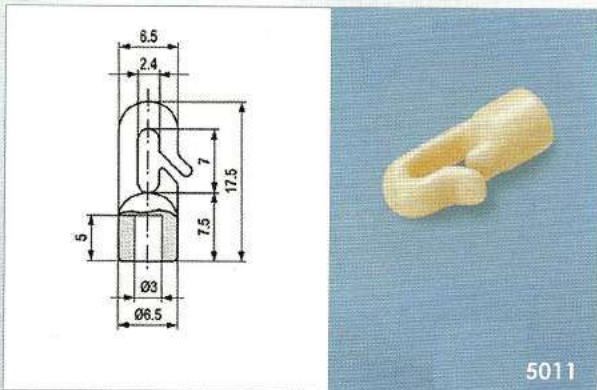
5008



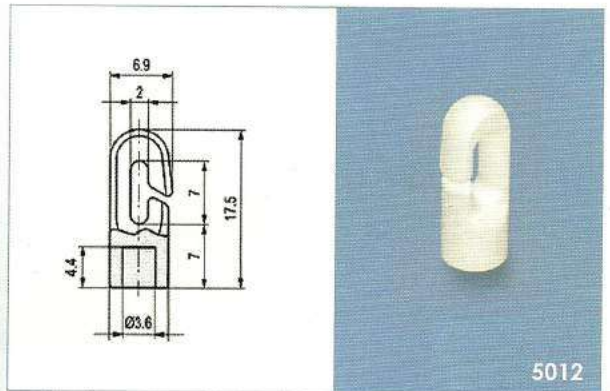
5009



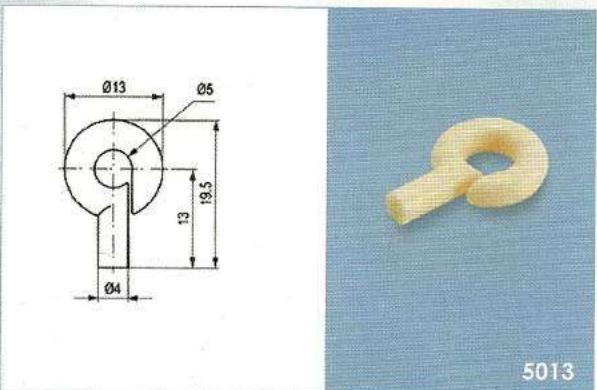
5010



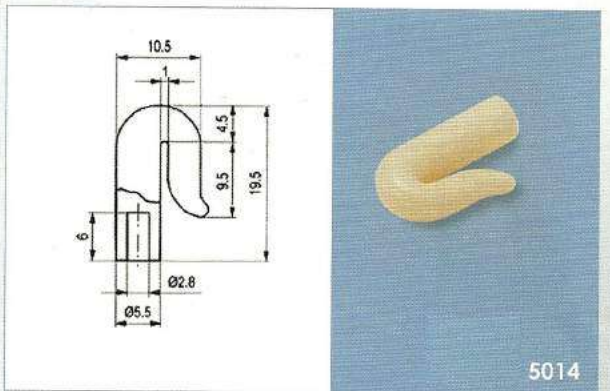
5011



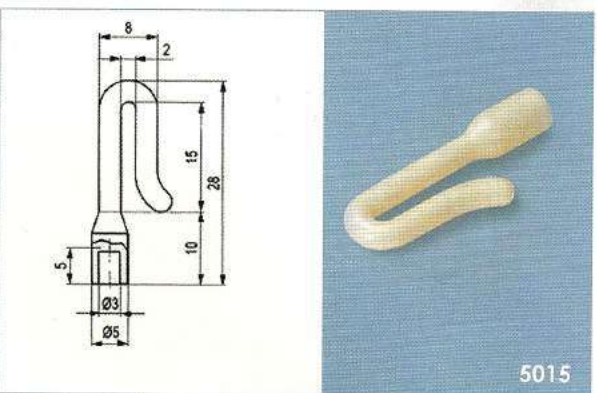
5012



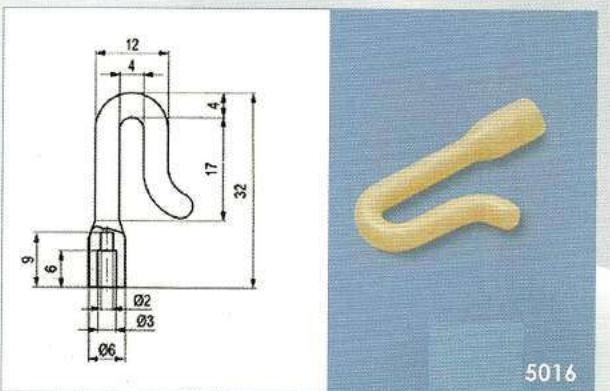
5013



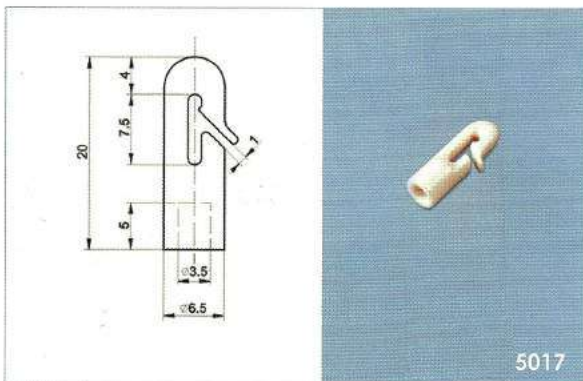
5014



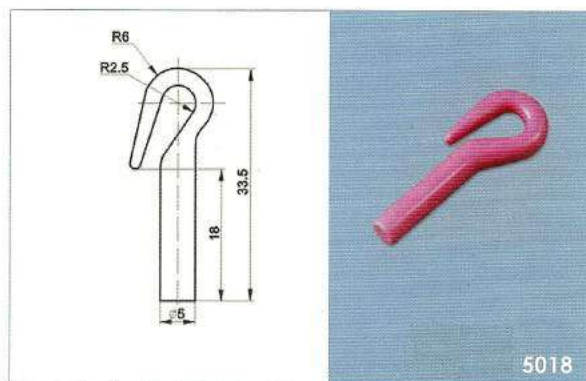
5015



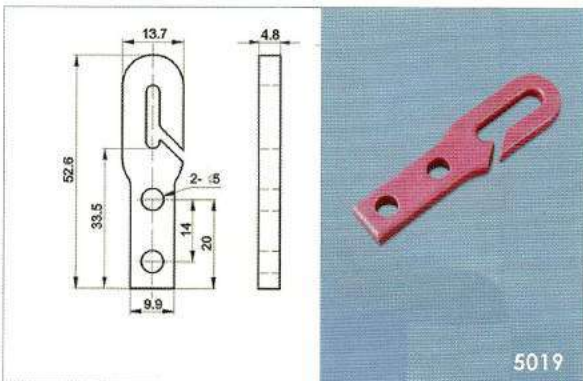
5016



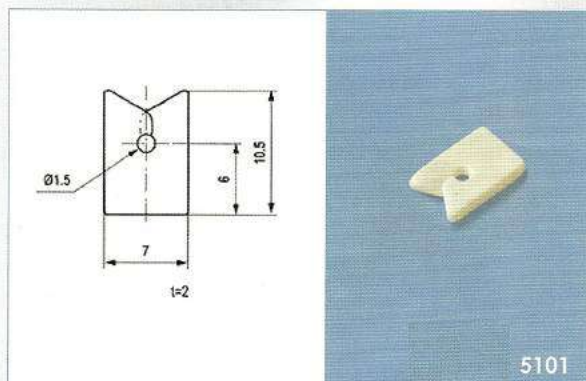
5017



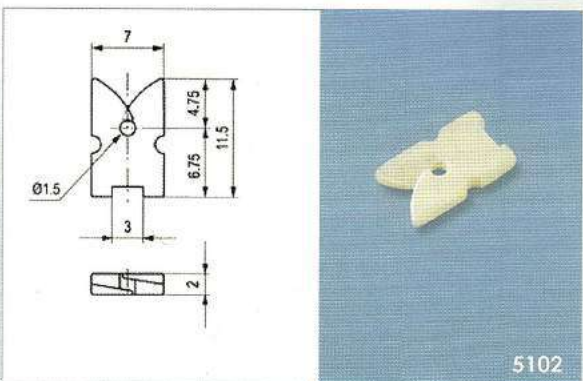
5018



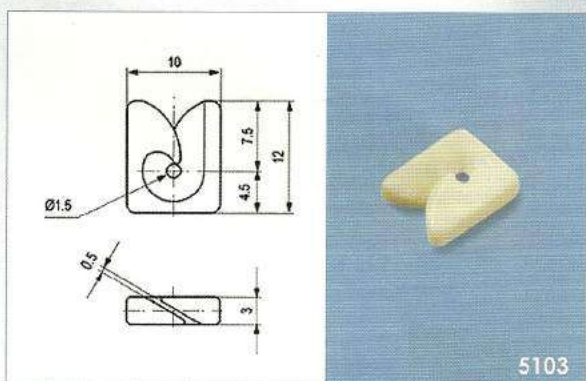
5019



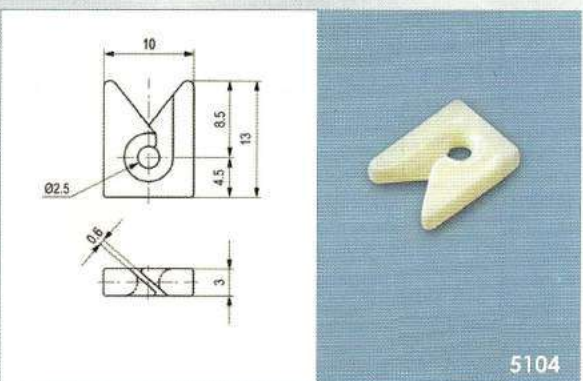
5101



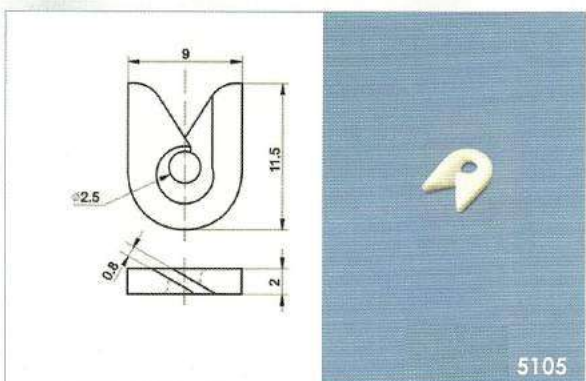
5102



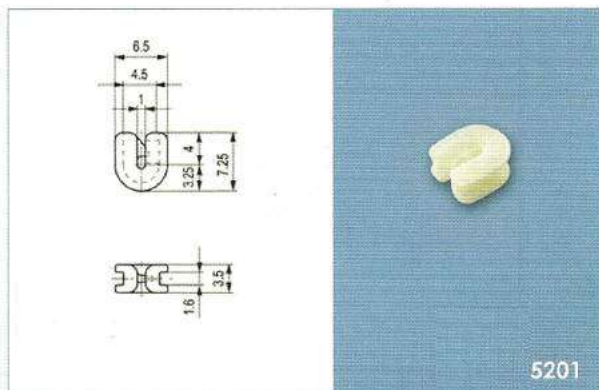
5103



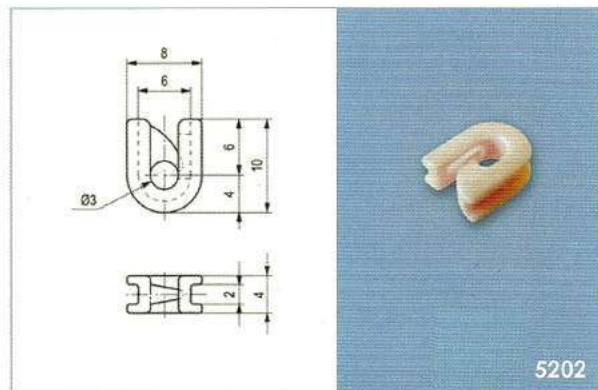
5104



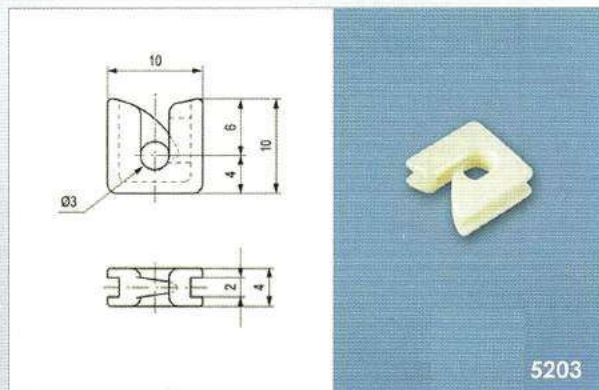
5105



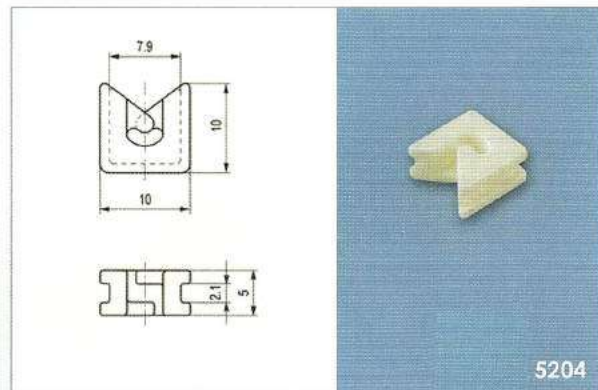
5201



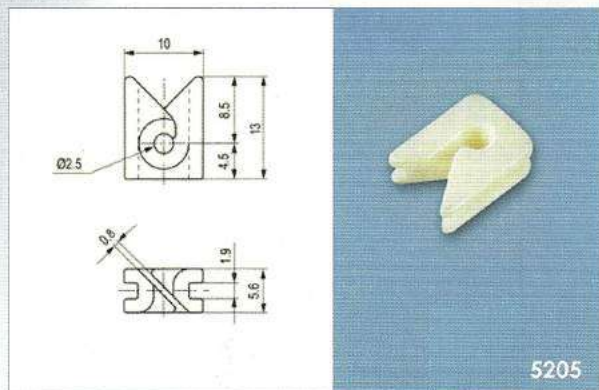
5202



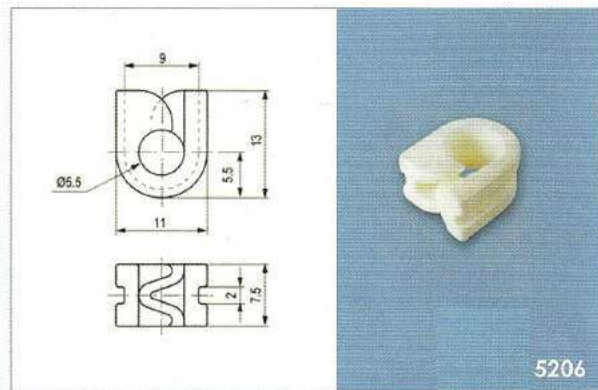
5203



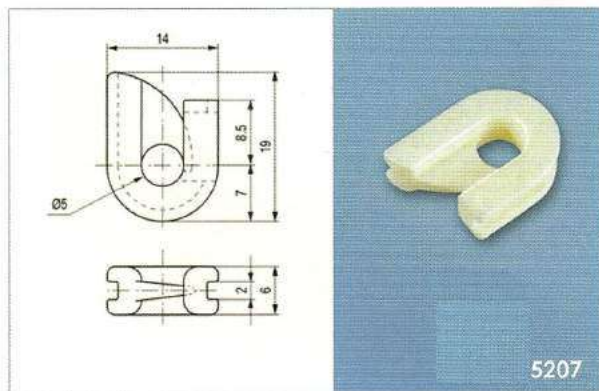
5204



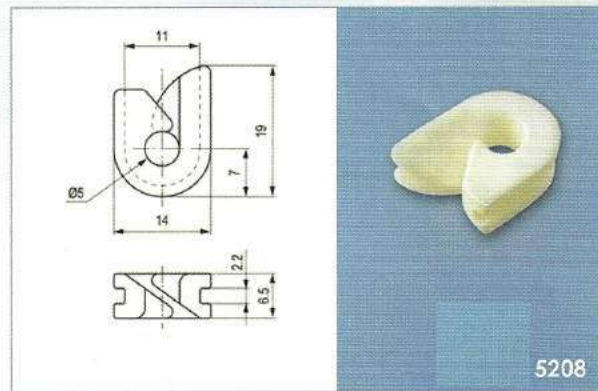
5205



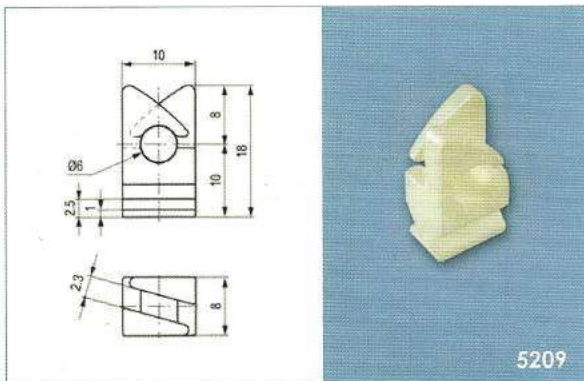
5206



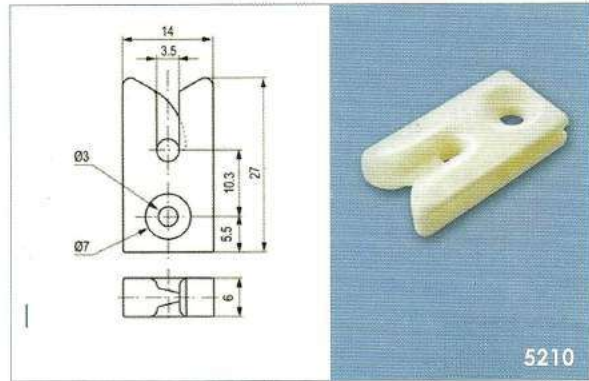
5207



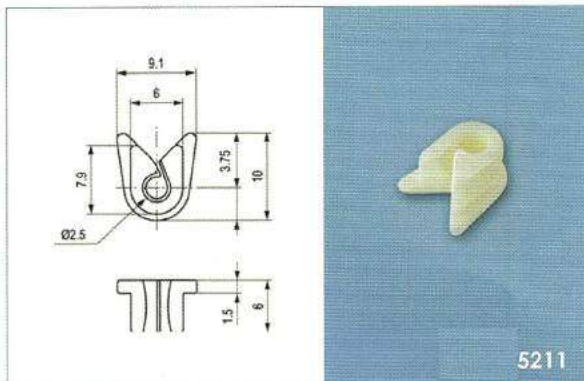
5208



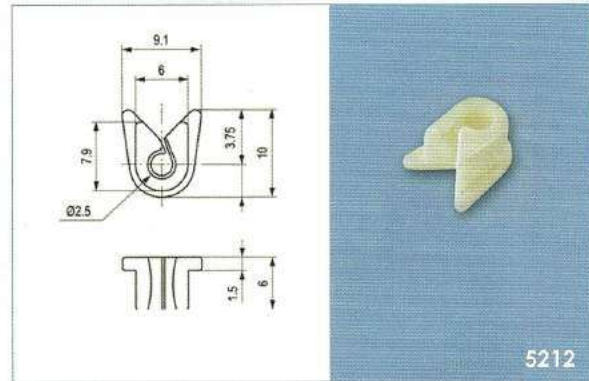
5209



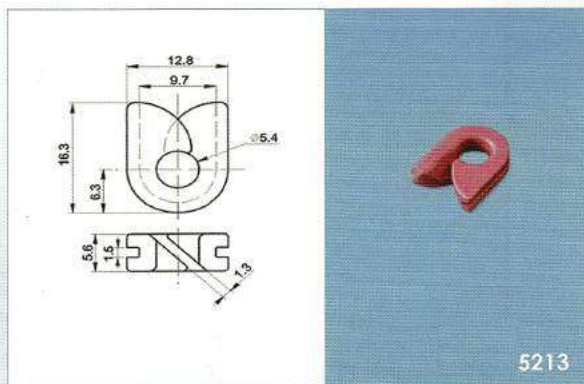
5210



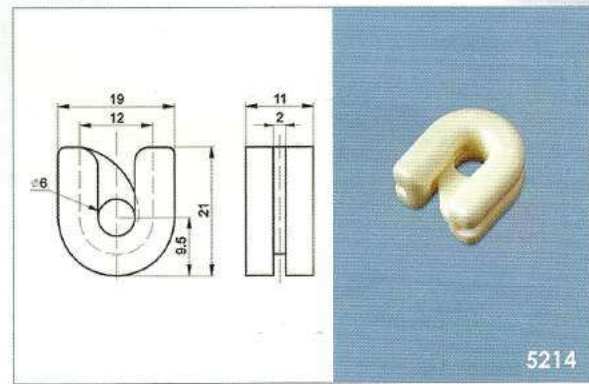
5211



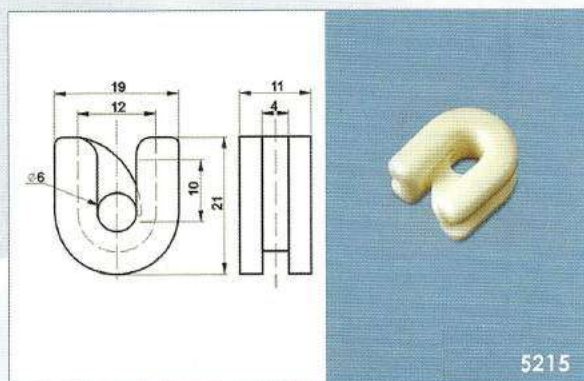
5212



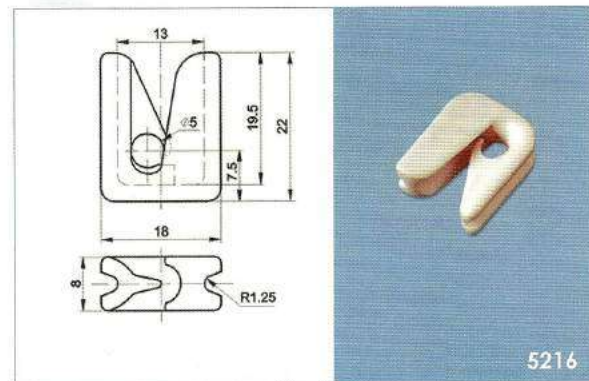
5213



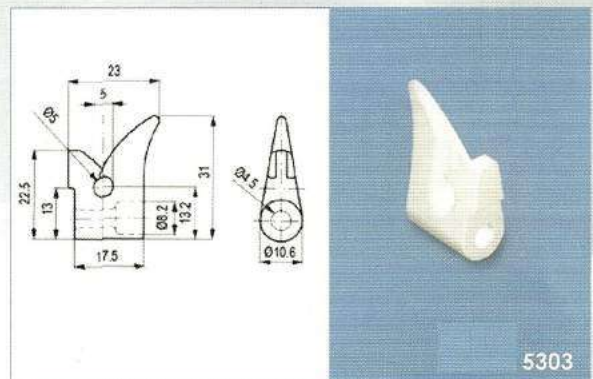
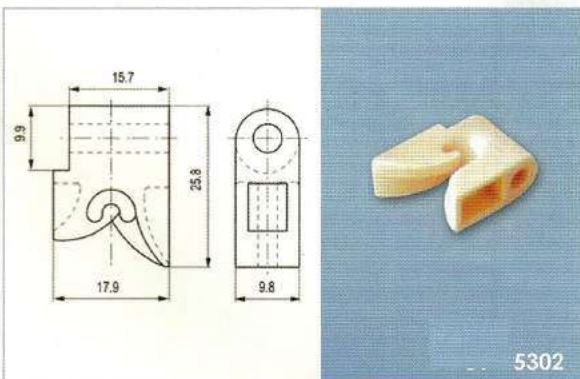
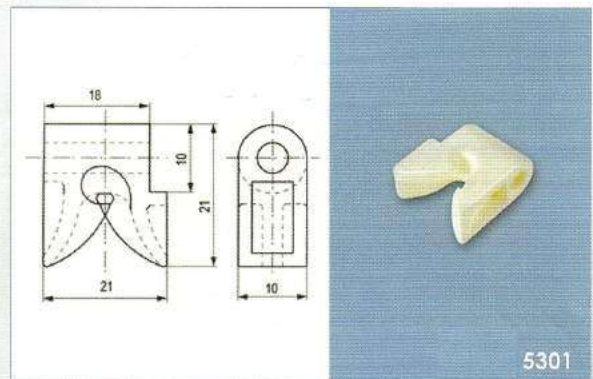
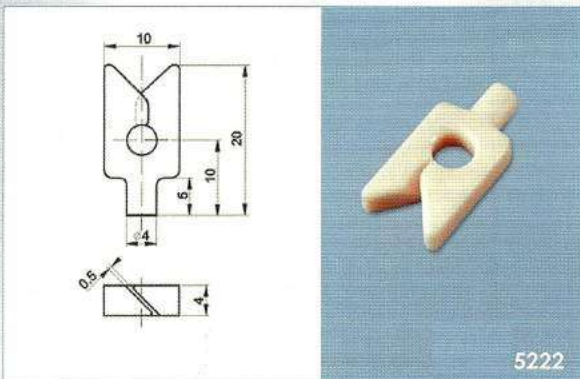
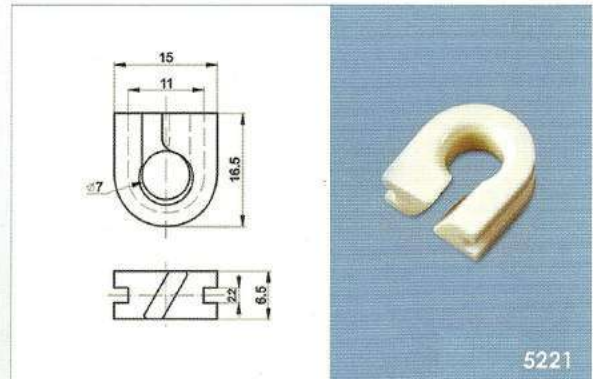
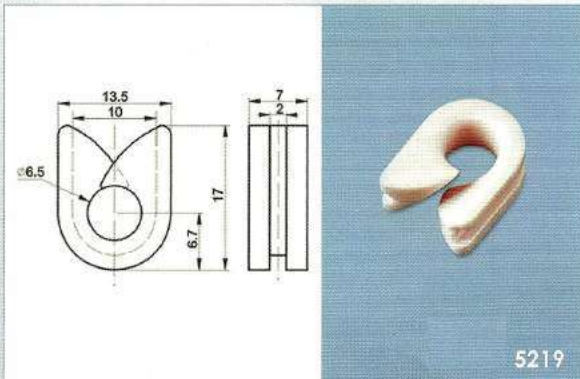
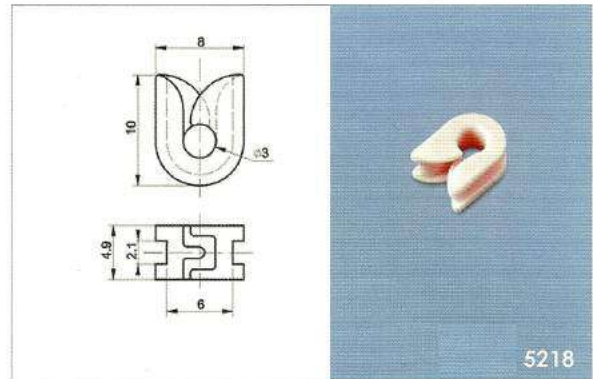
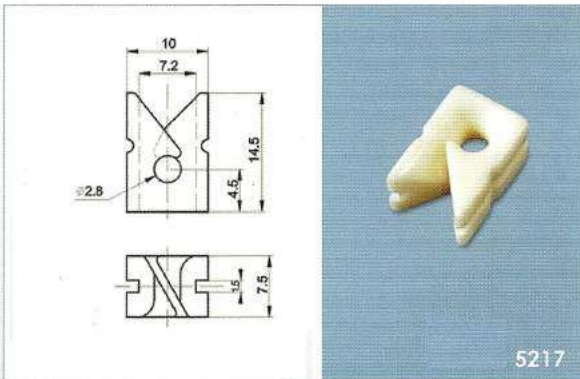
5214

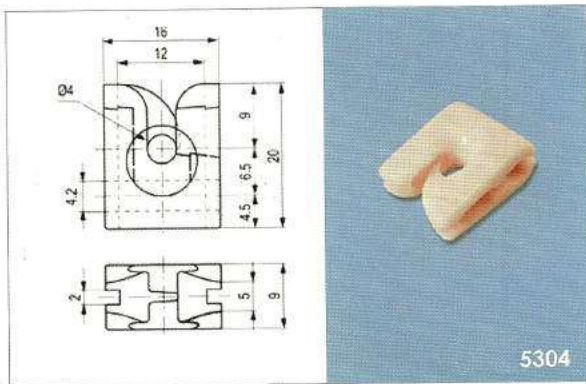


5215

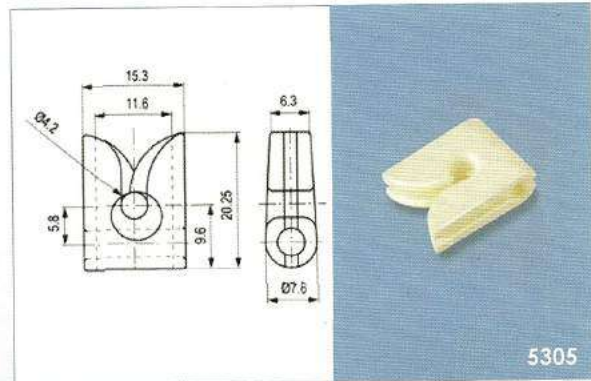


5216

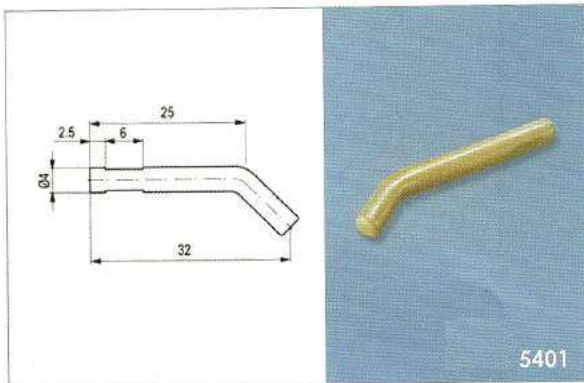




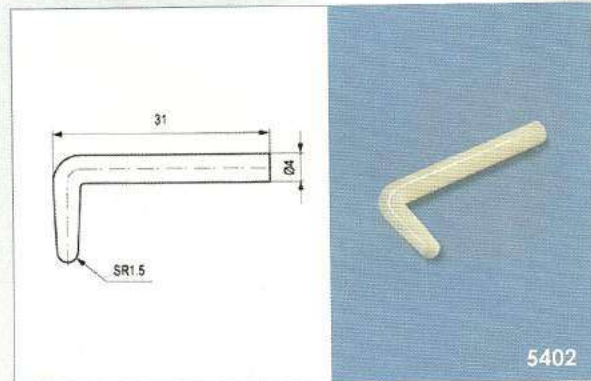
5304



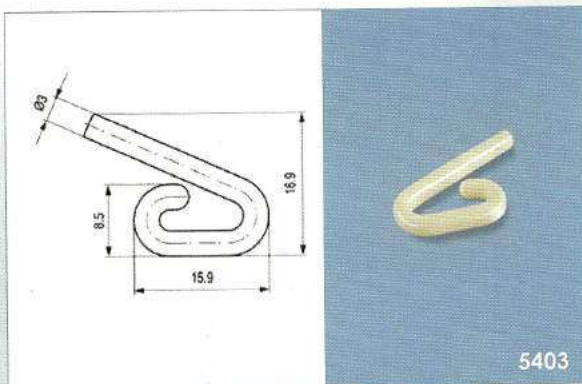
5305



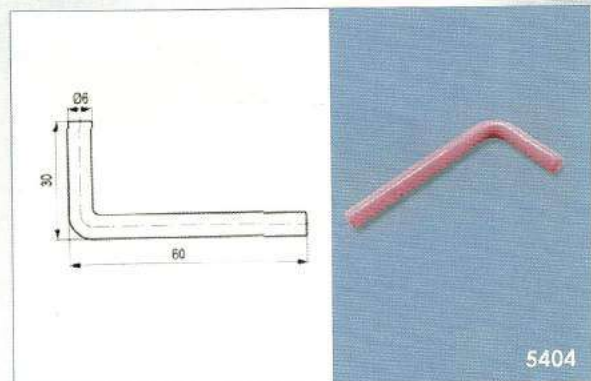
5401



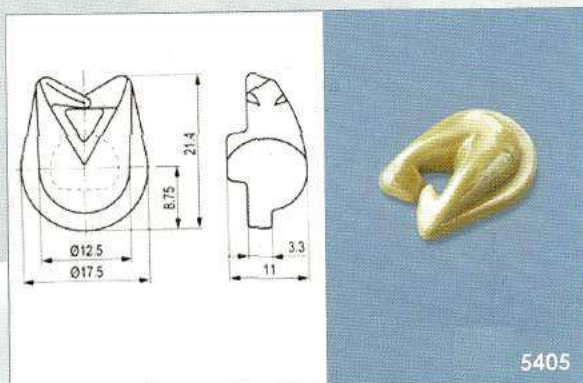
5402



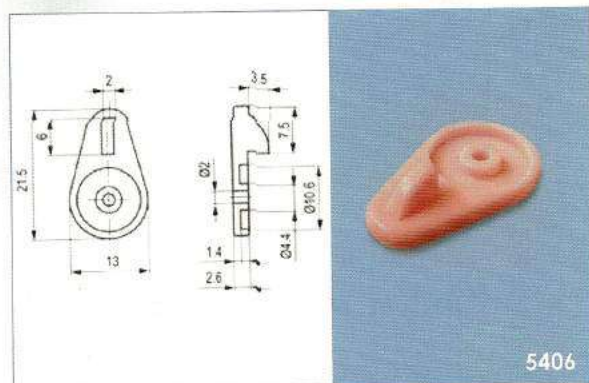
5403



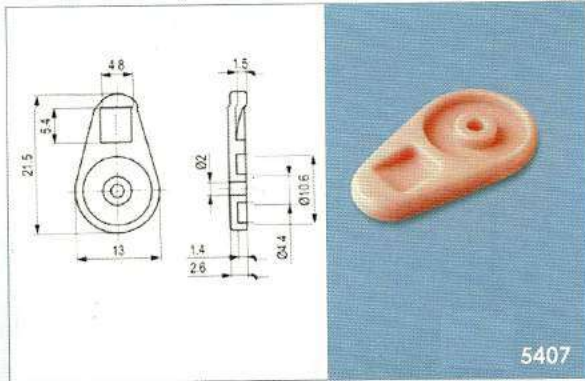
5404



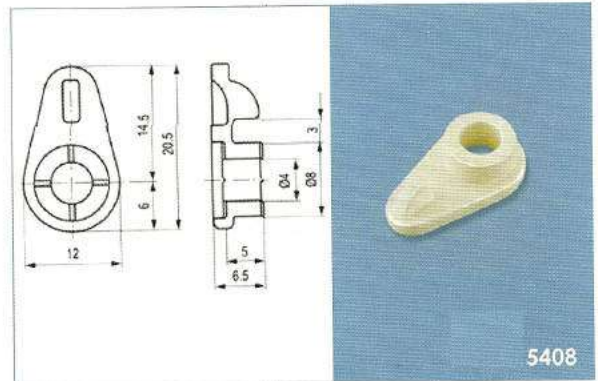
5405



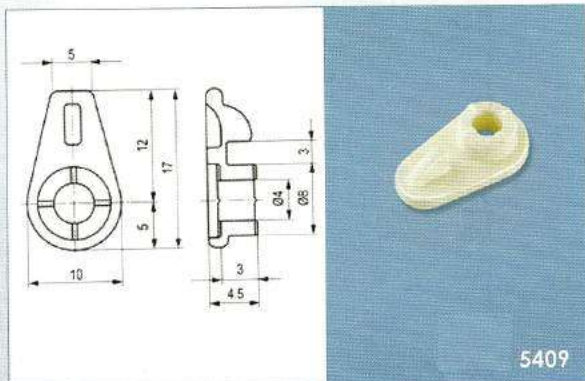
5406



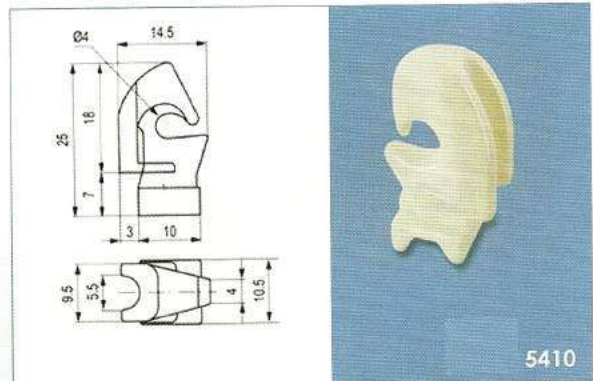
5407



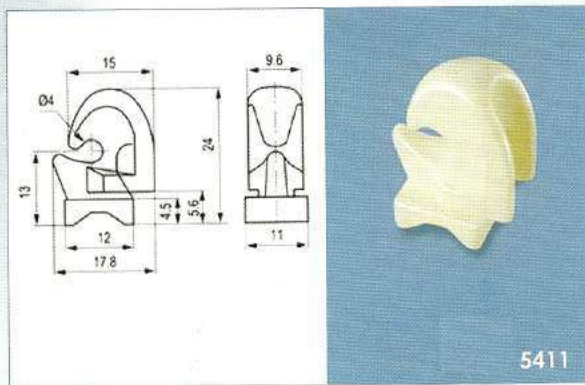
5408



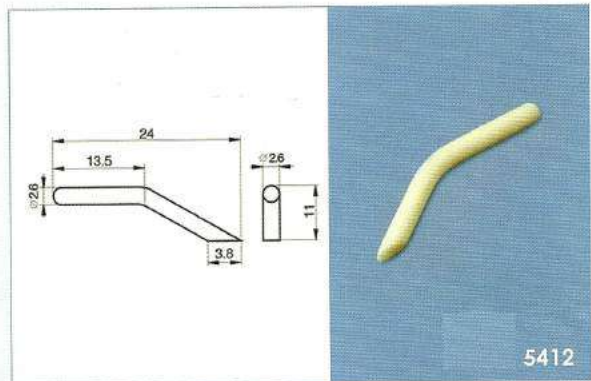
5409



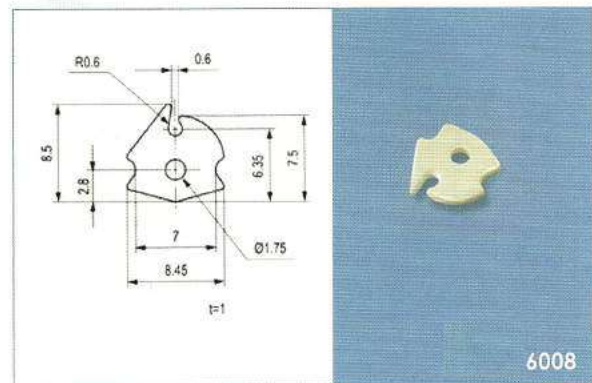
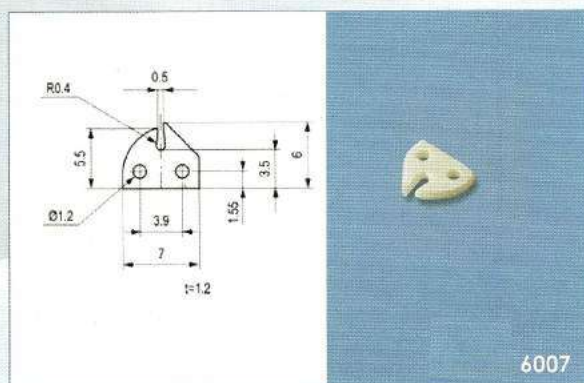
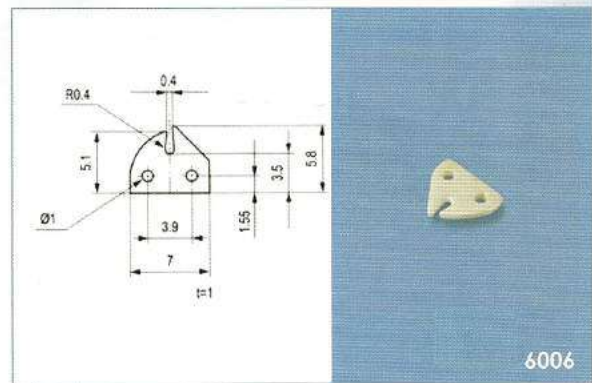
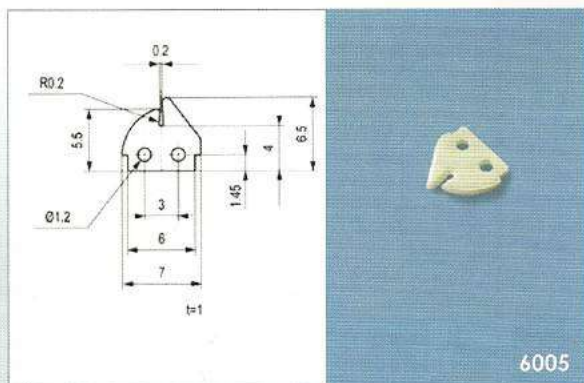
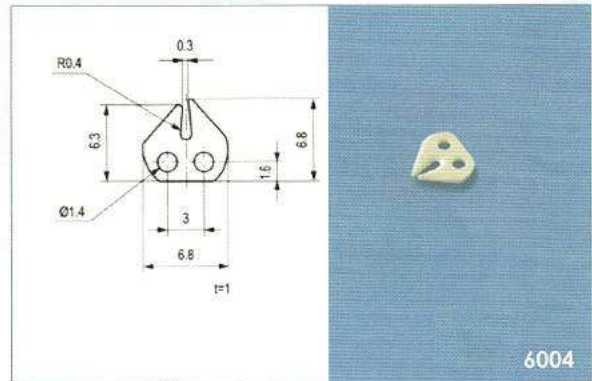
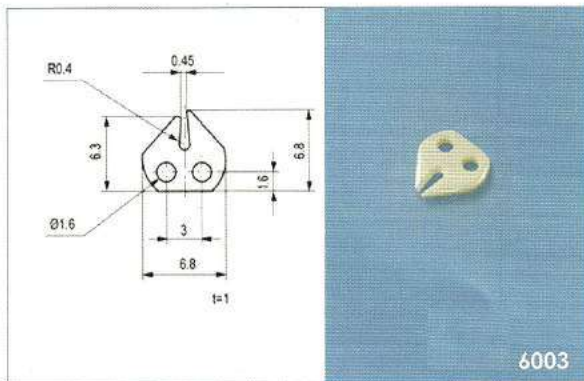
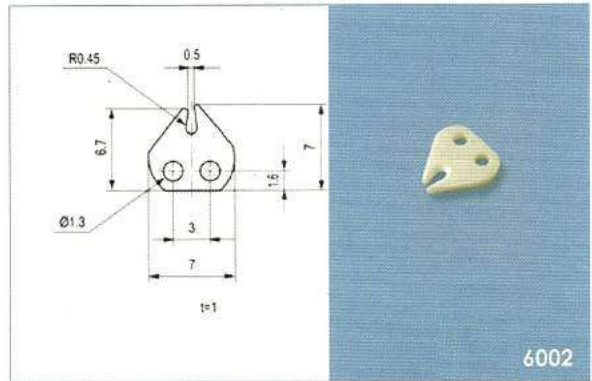
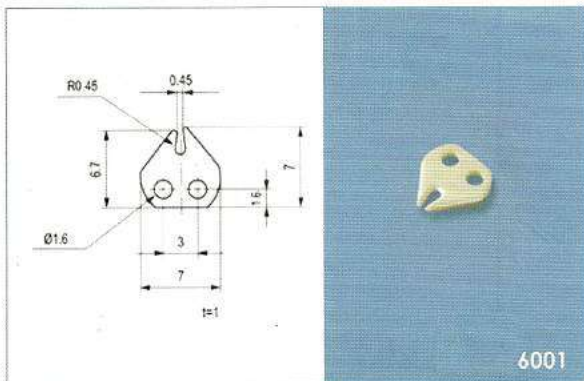
5410

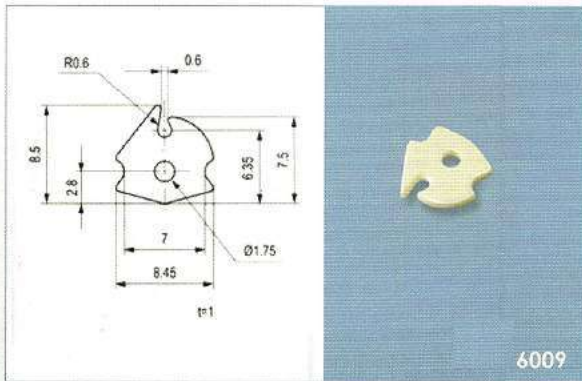


5411

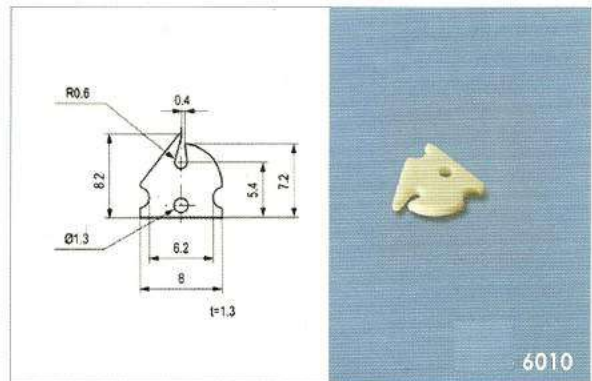


5412

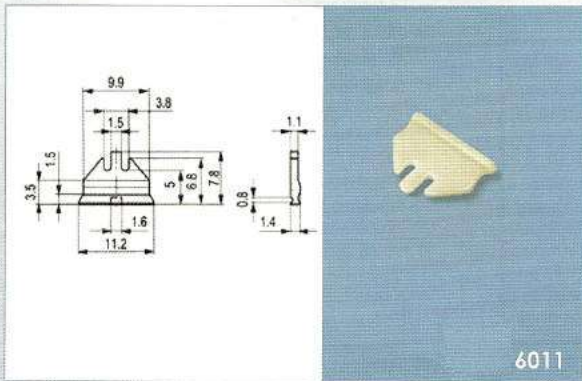




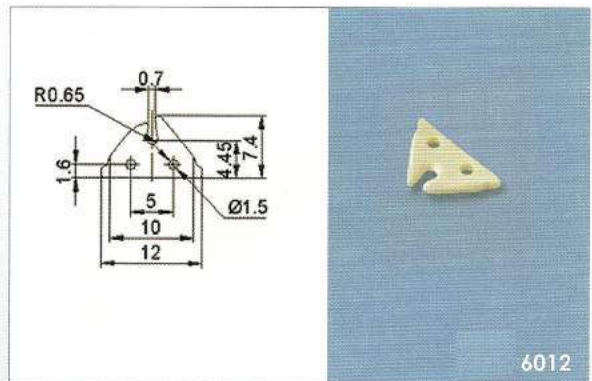
6009



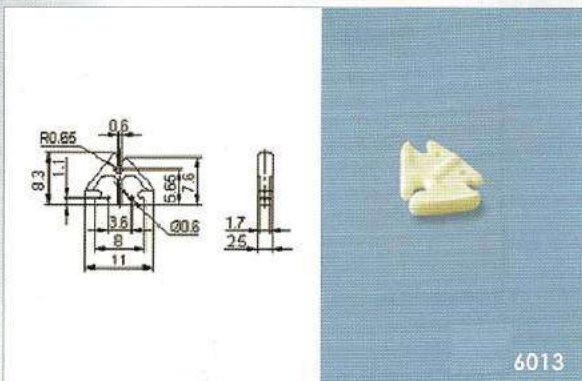
6010



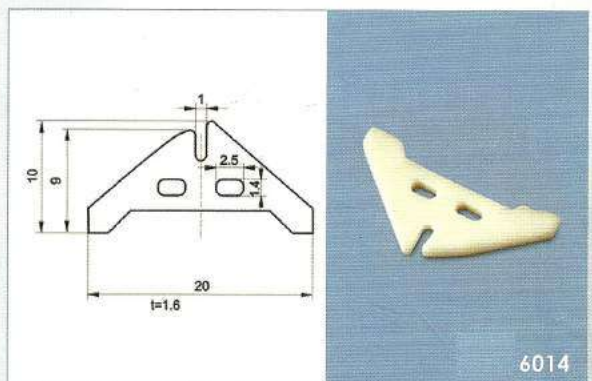
6011



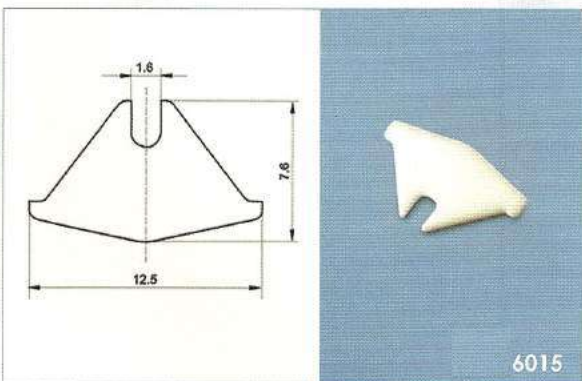
6012



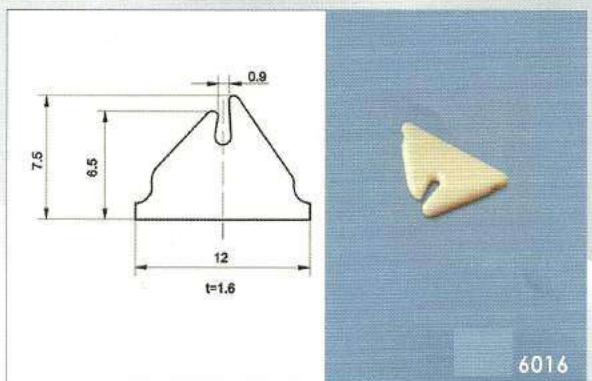
6013



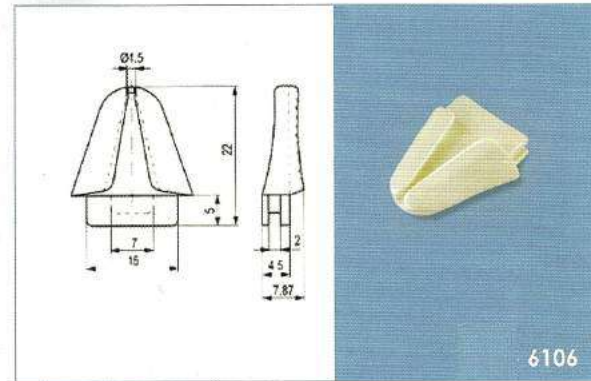
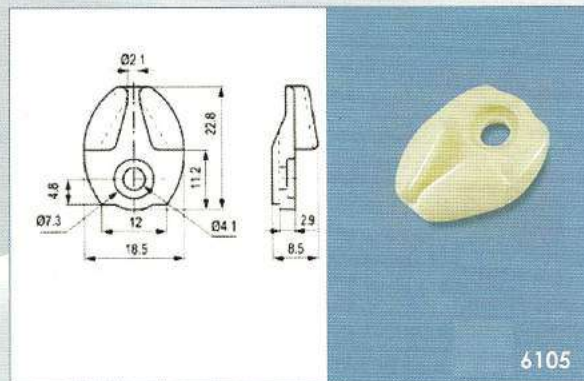
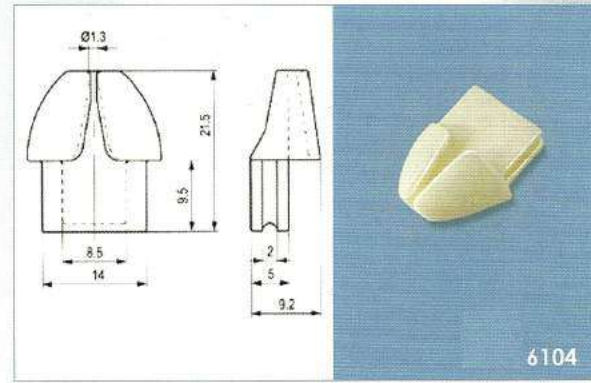
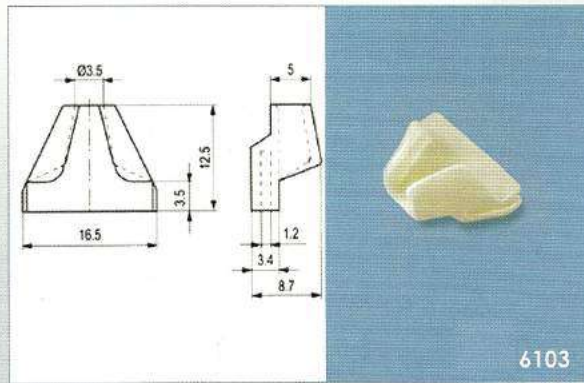
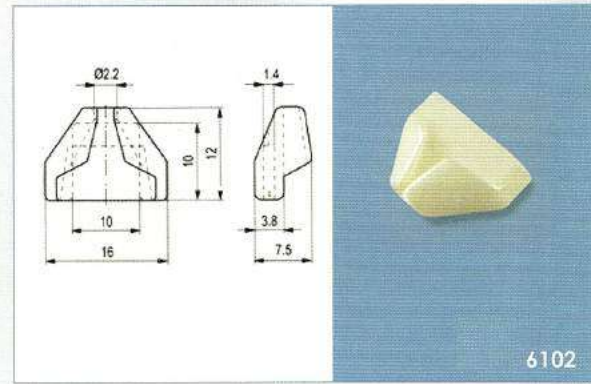
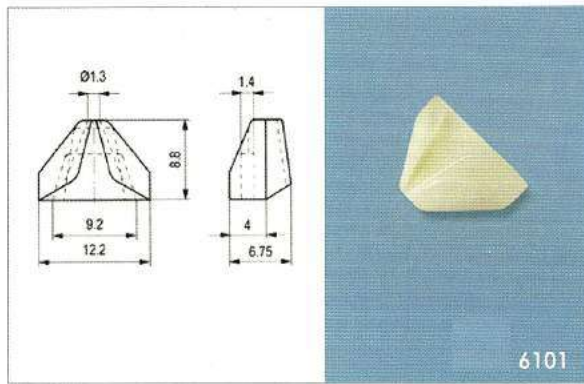
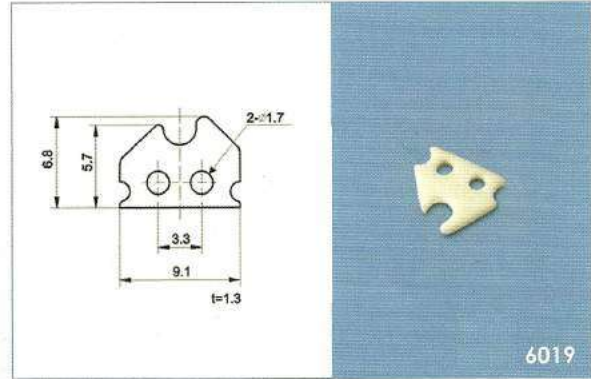
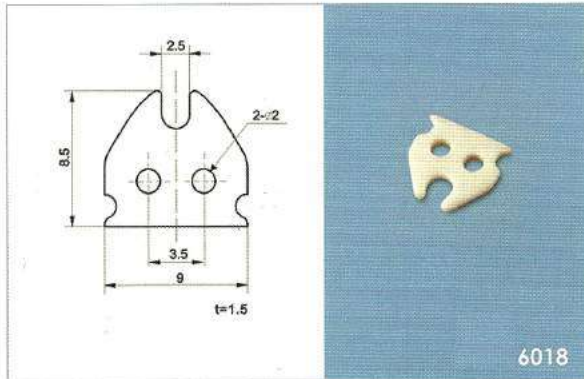
6014

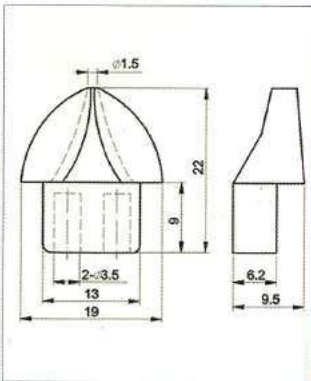


6015

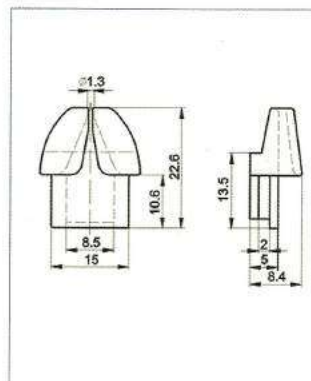


6016

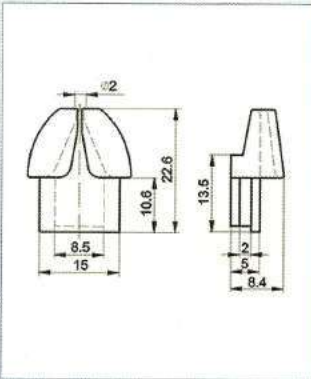




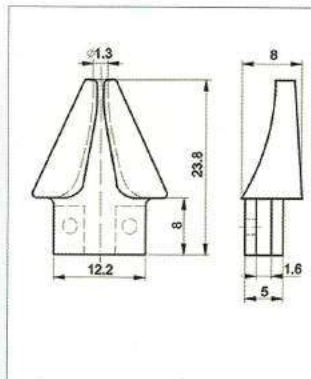
6108



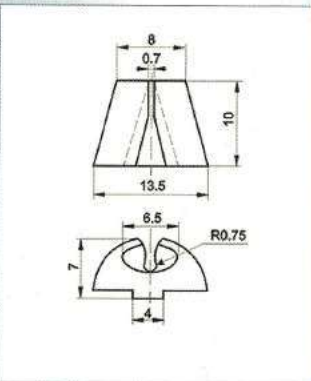
- 6109



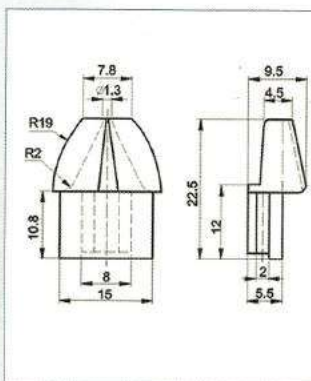
6110



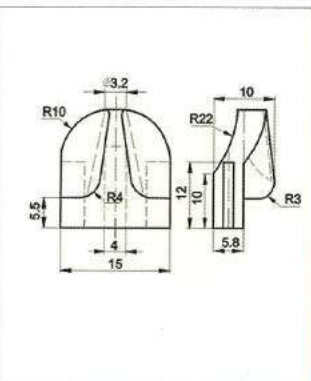
6111



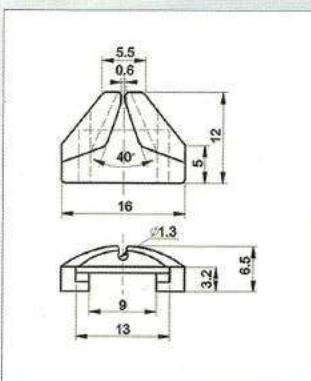
6112



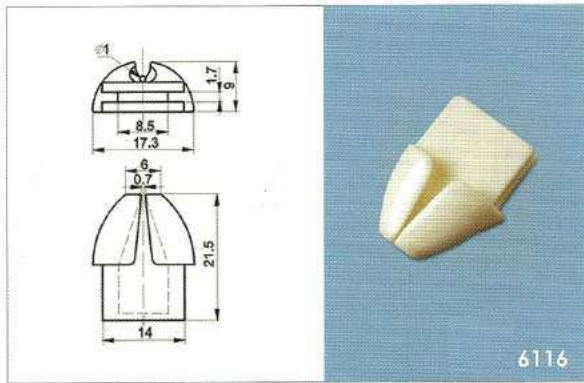
6113



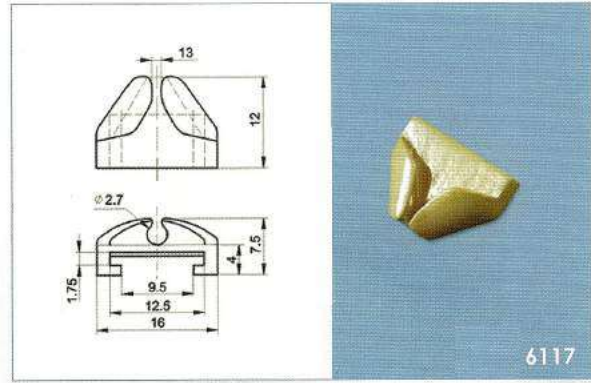
6114



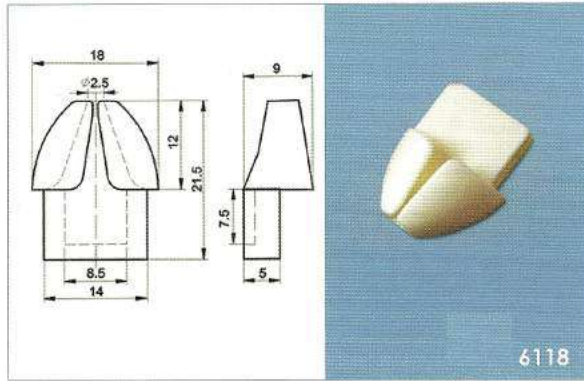
6115



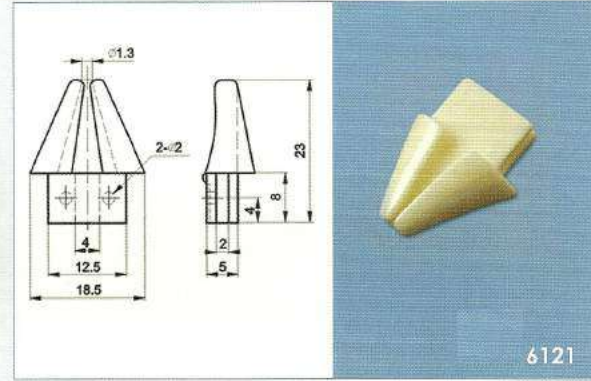
6116



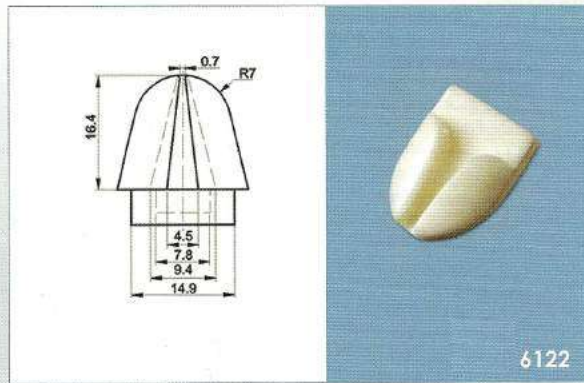
6117



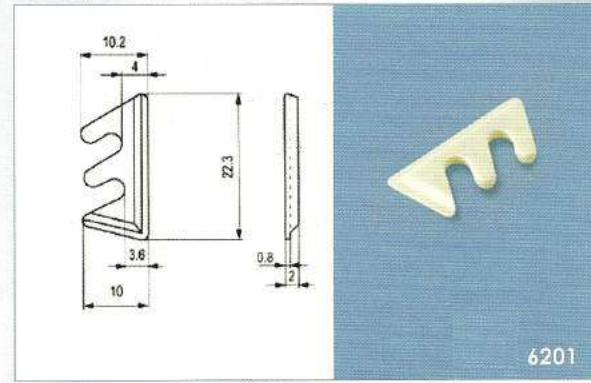
6118



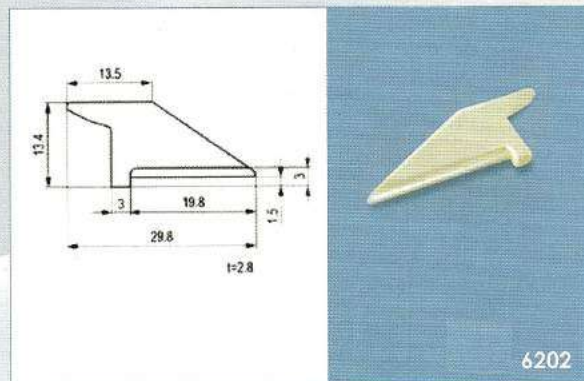
6121



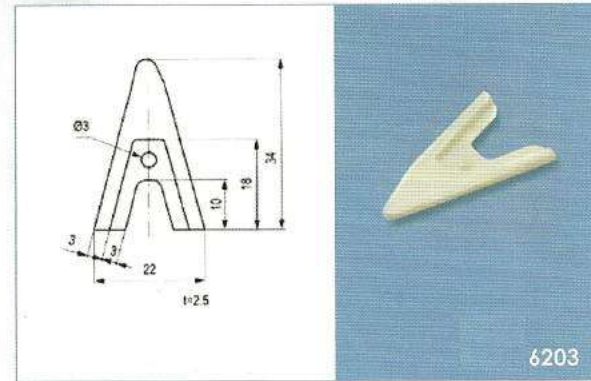
6122



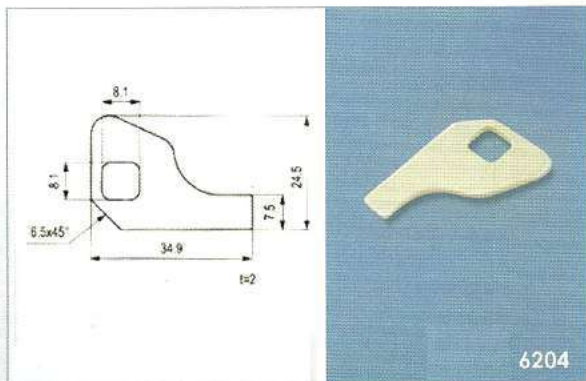
6201



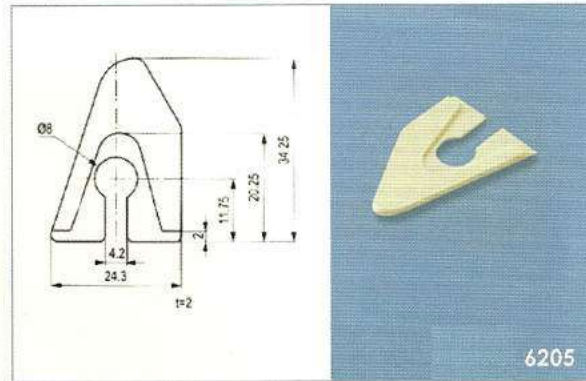
6202



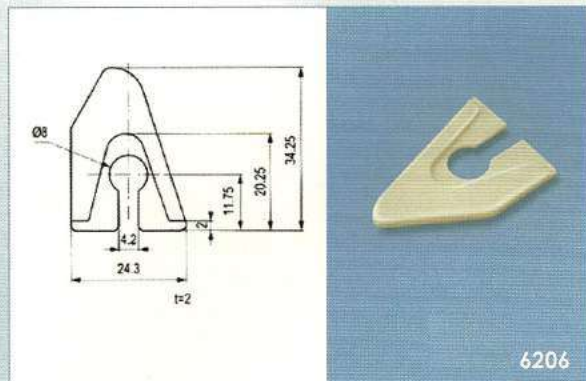
6203



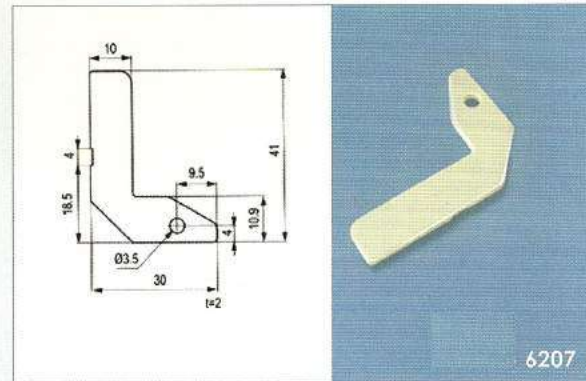
6204



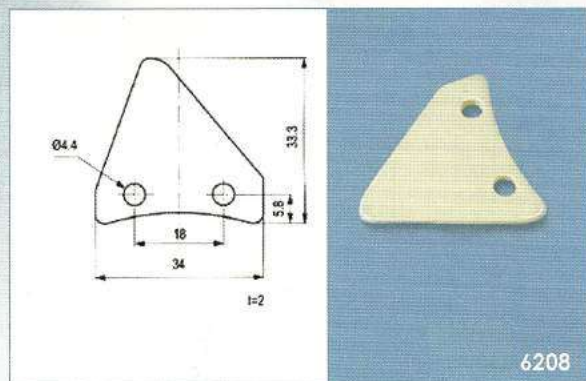
6205



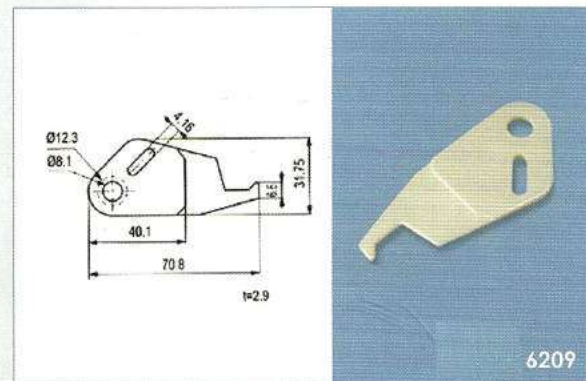
6206



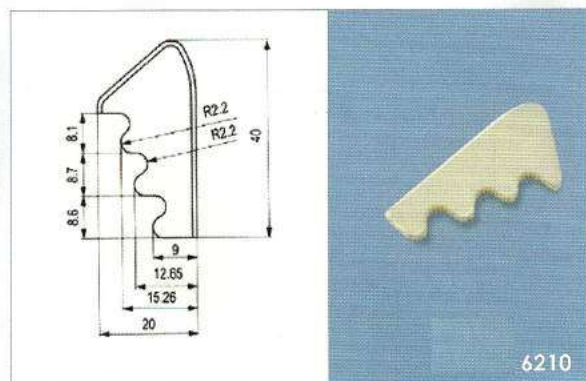
6207



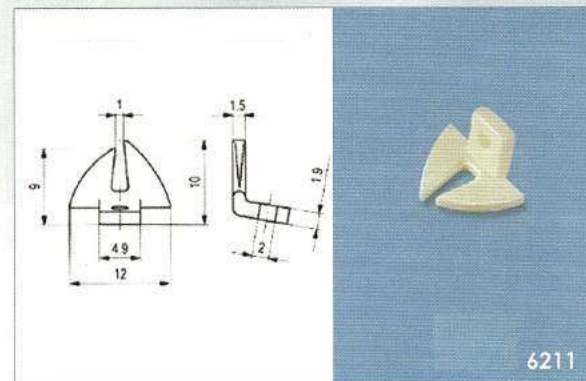
6208



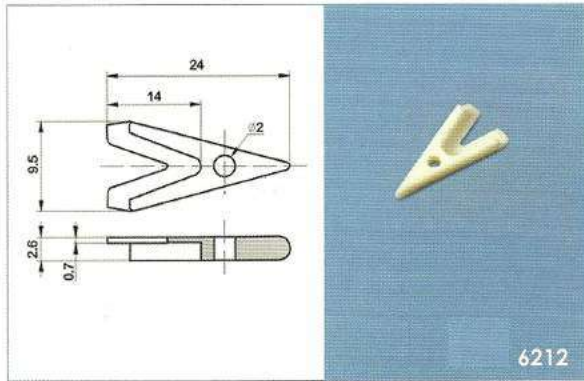
6209



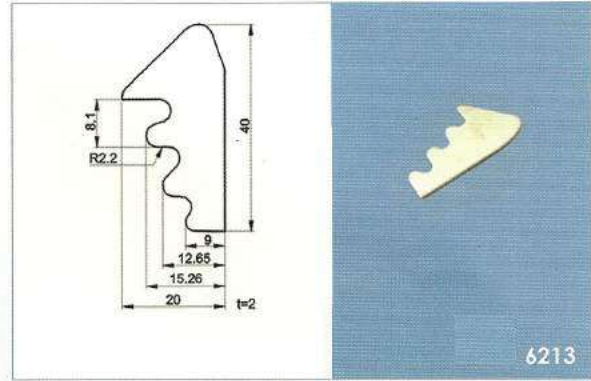
6210



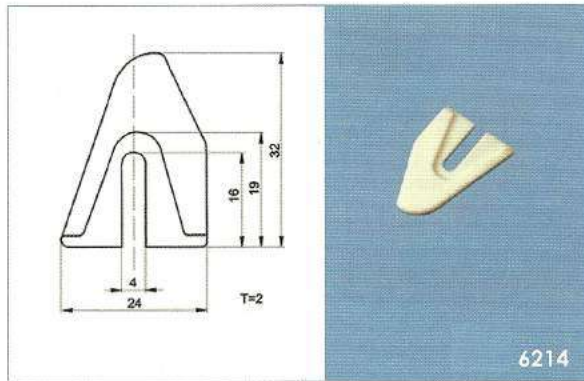
6211



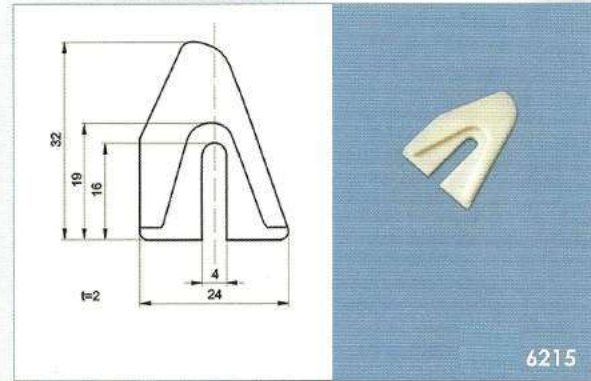
6212



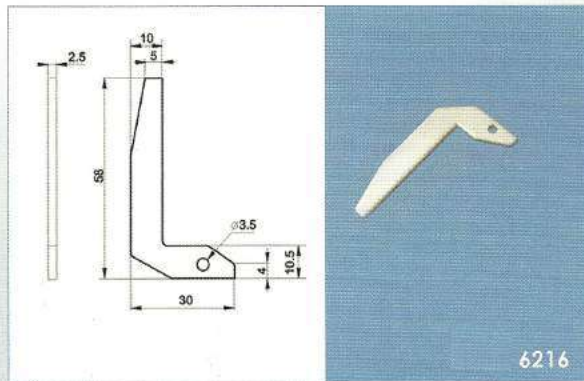
6213



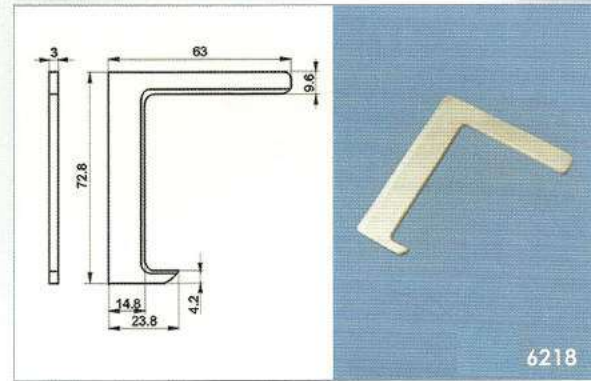
6214



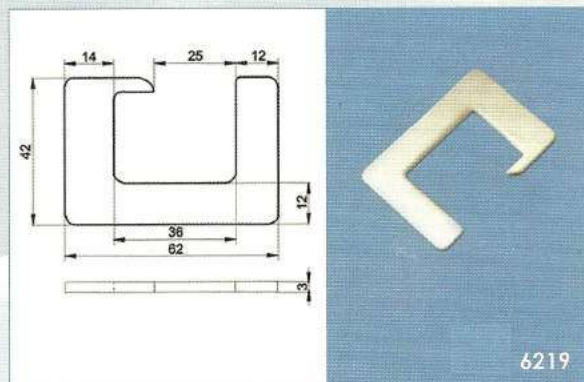
6215



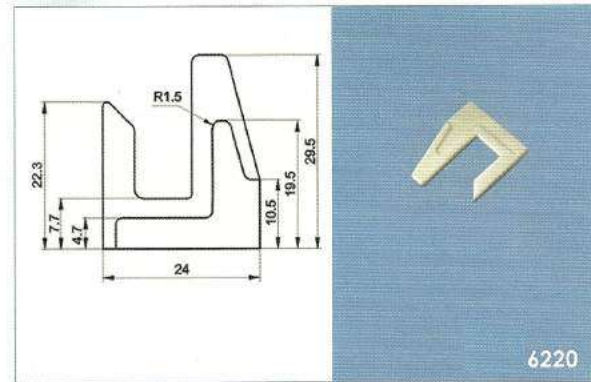
6216



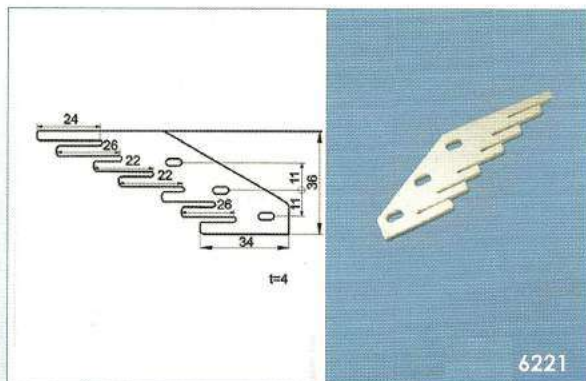
6218



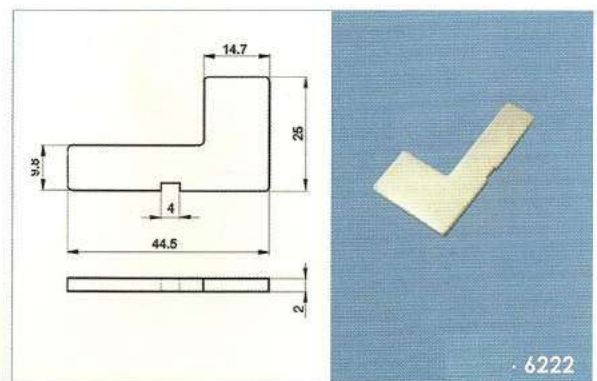
6219



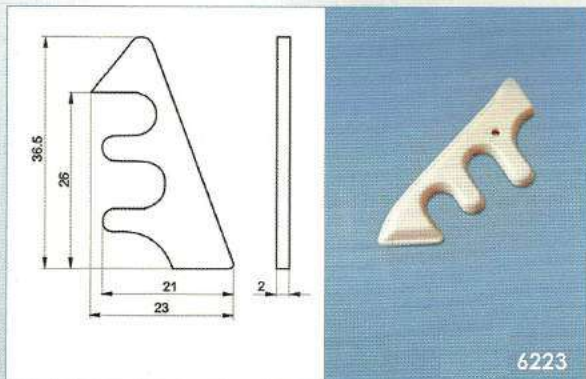
6220



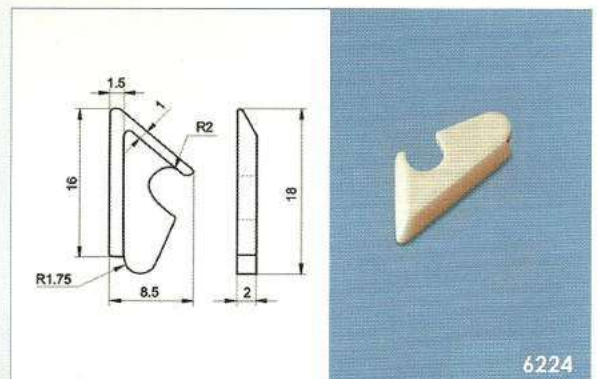
6221



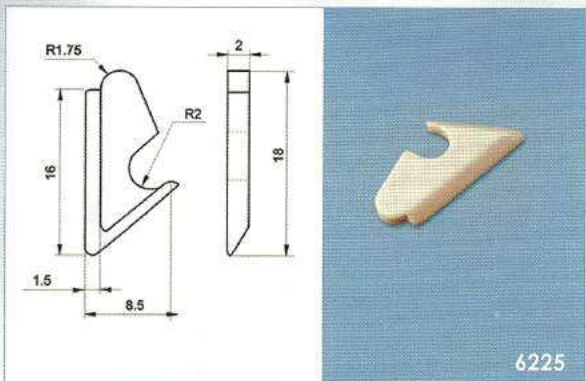
6222



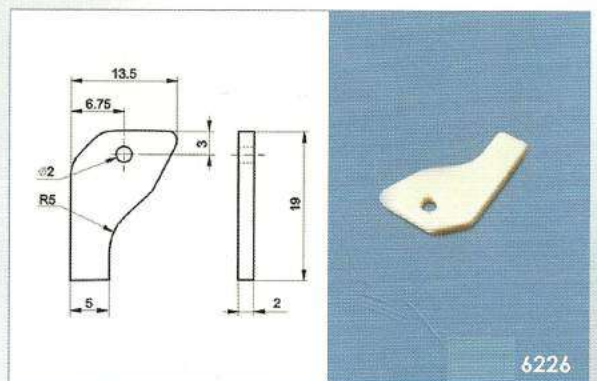
6223



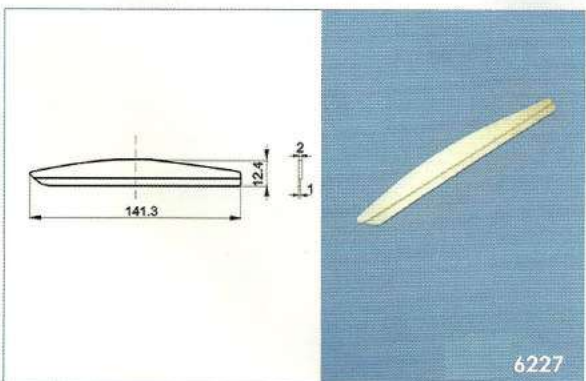
6224



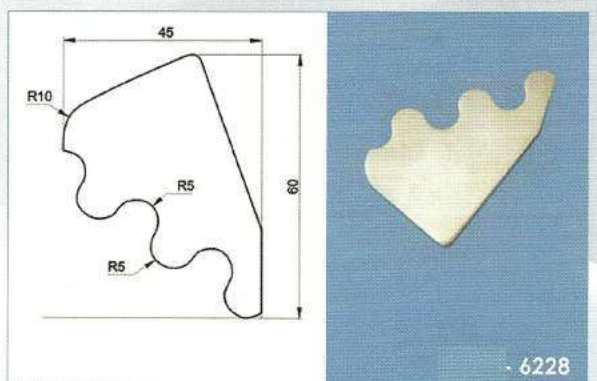
6225



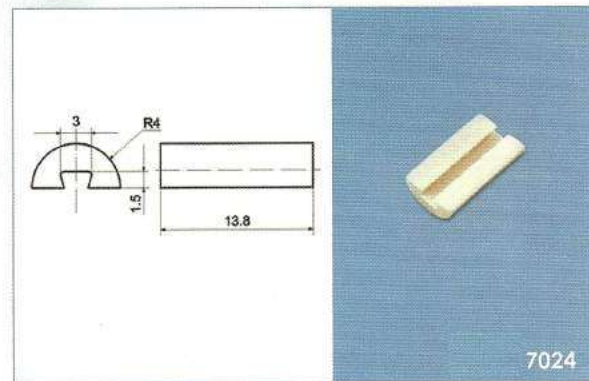
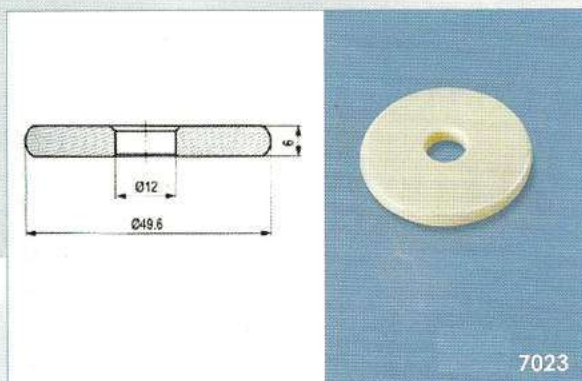
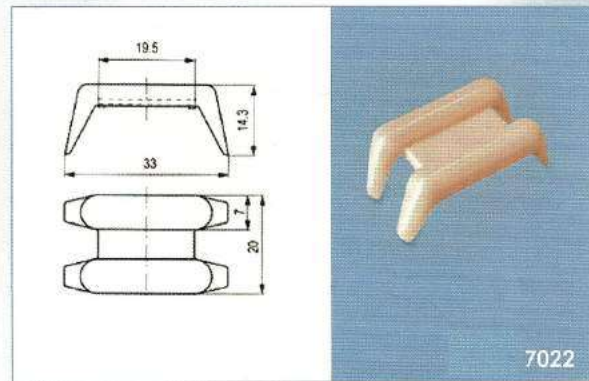
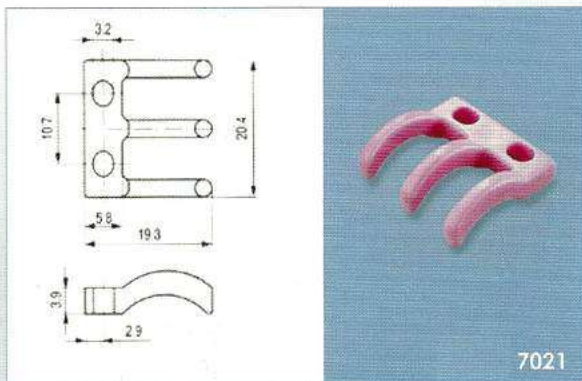
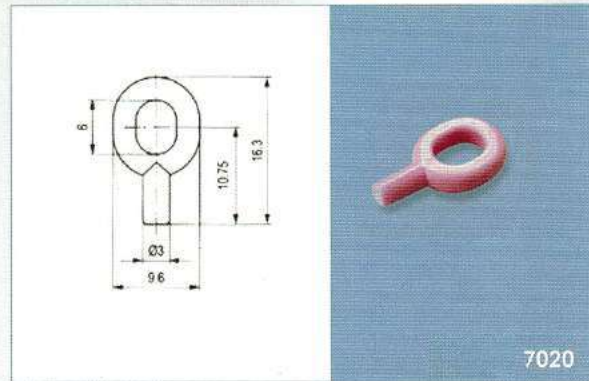
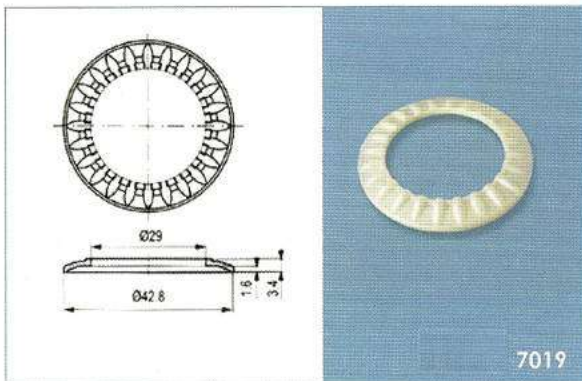
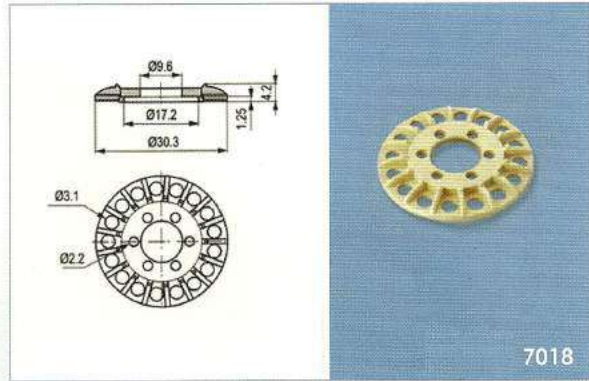
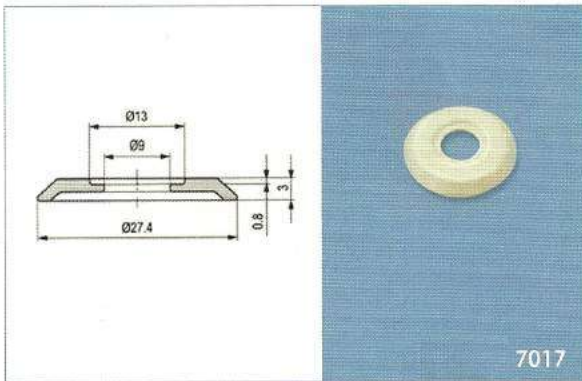
6226

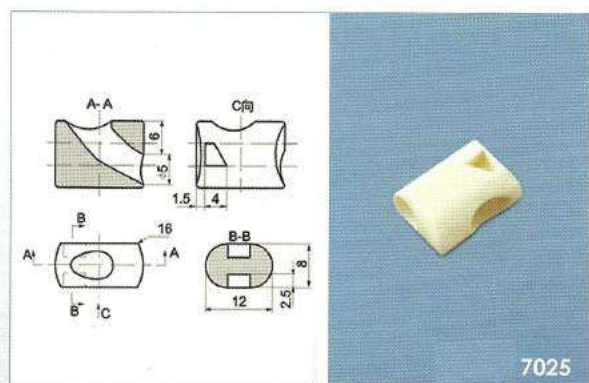


6227

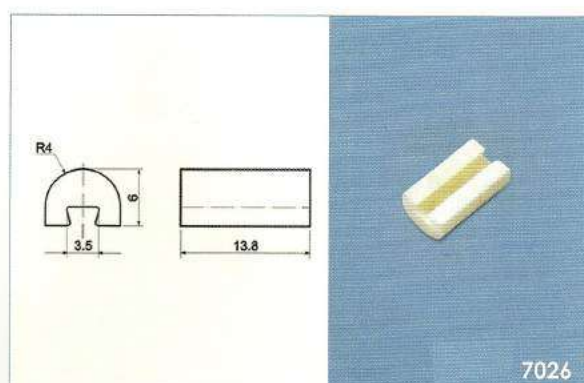


6228

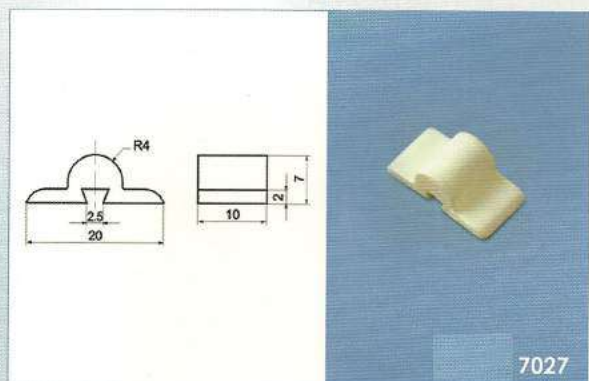




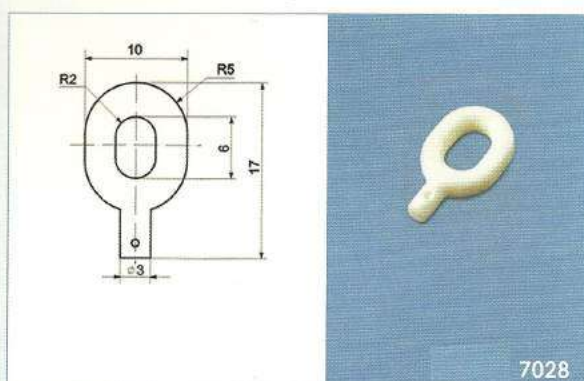
7025



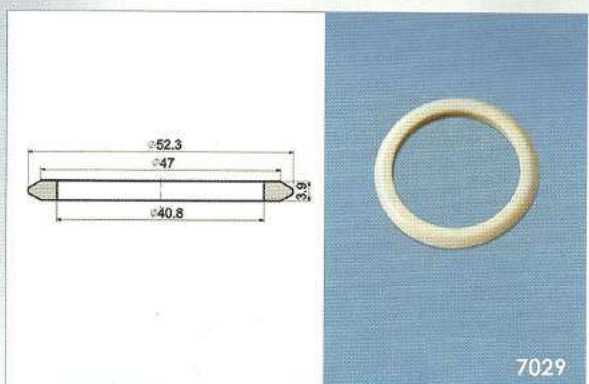
7026



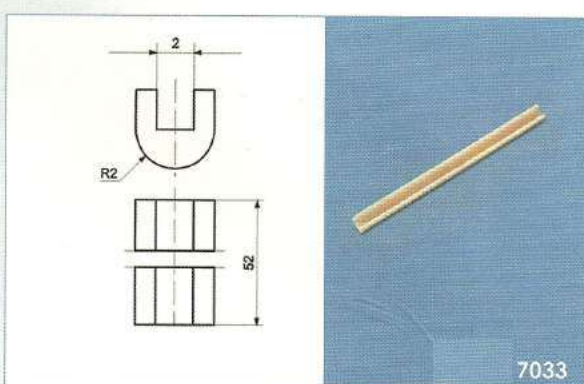
7027



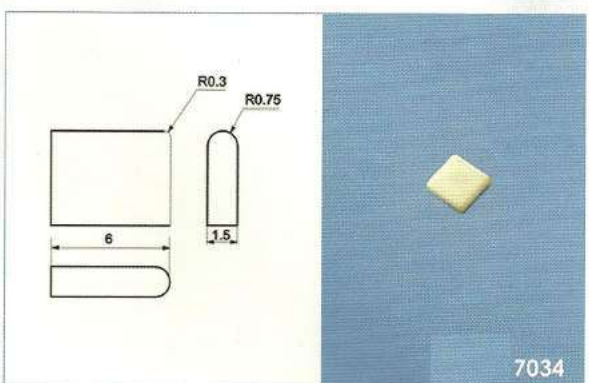
7028



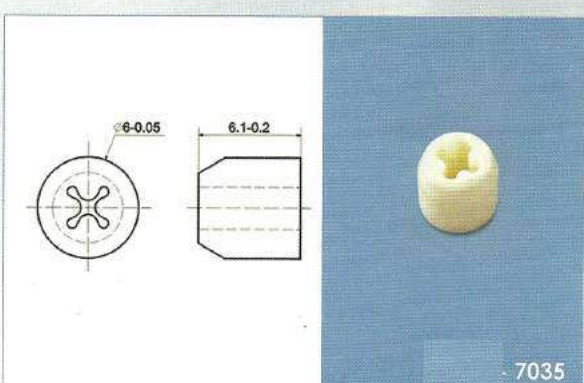
7029



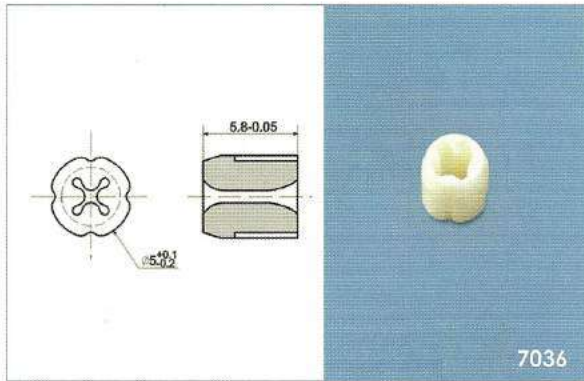
7033



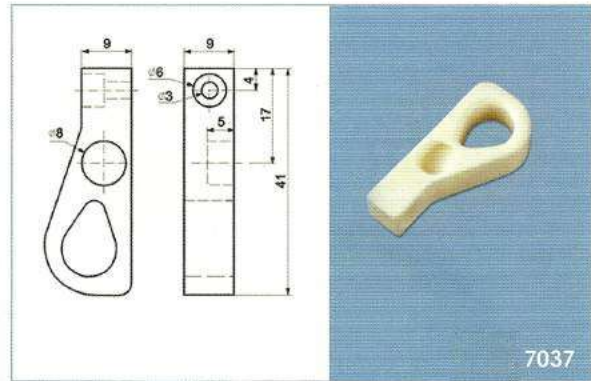
7034



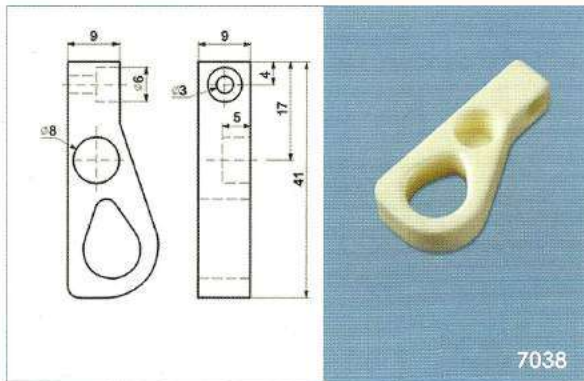
7035



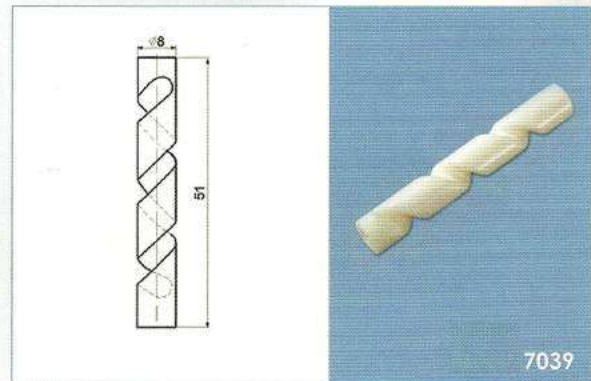
7036



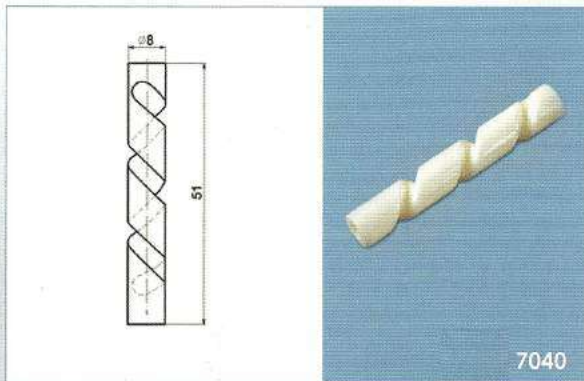
7037



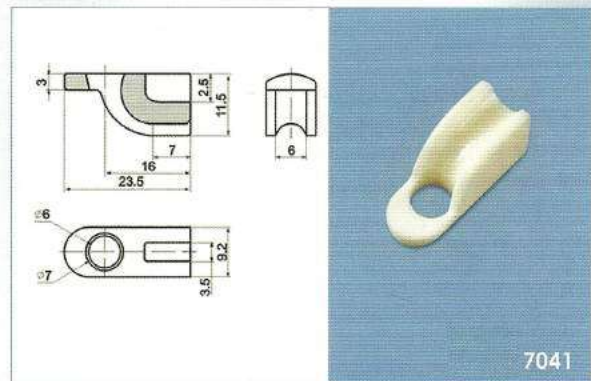
7038



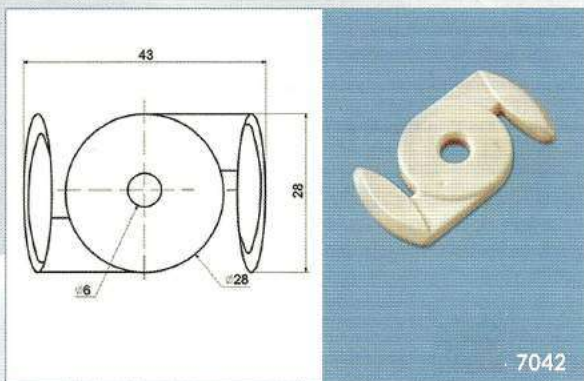
7039



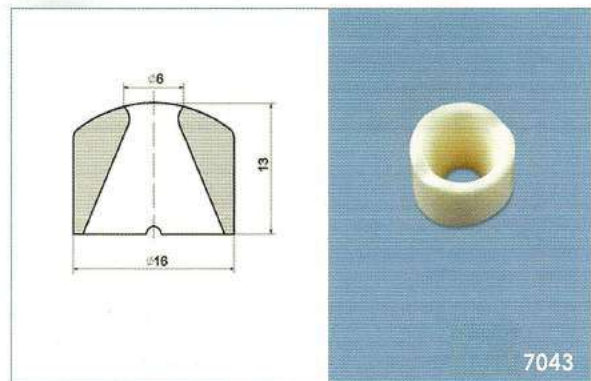
7040



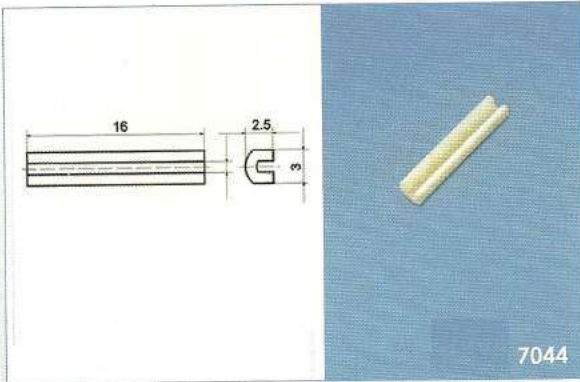
7041



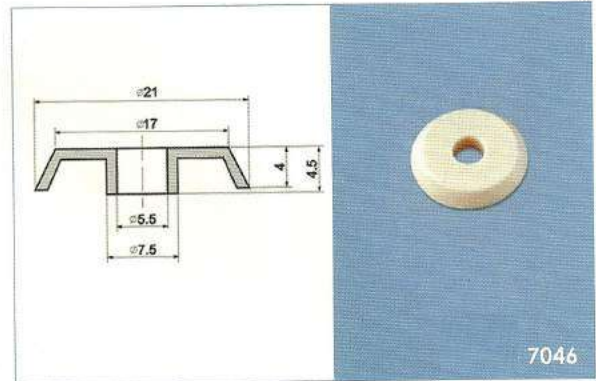
7042



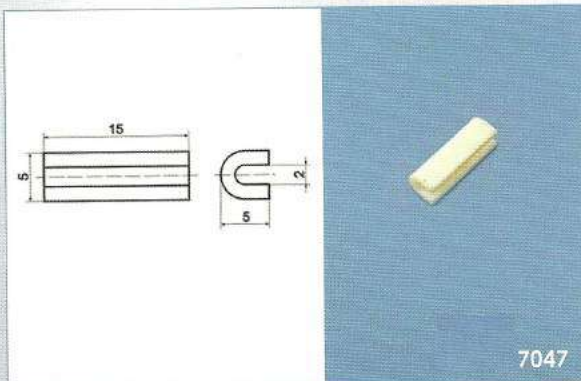
7043



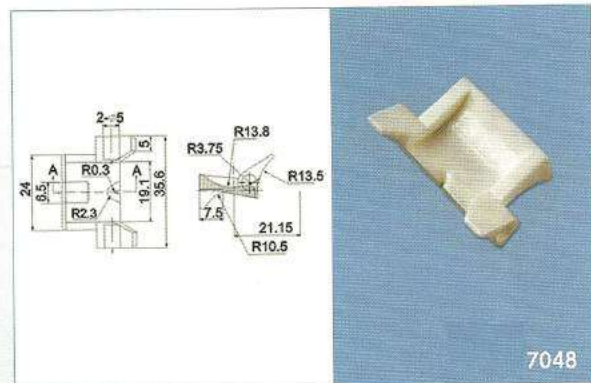
7044



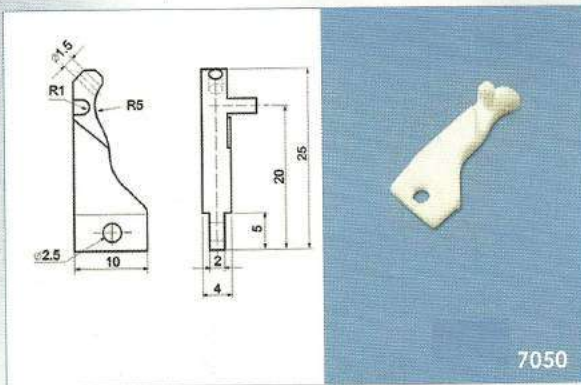
7046



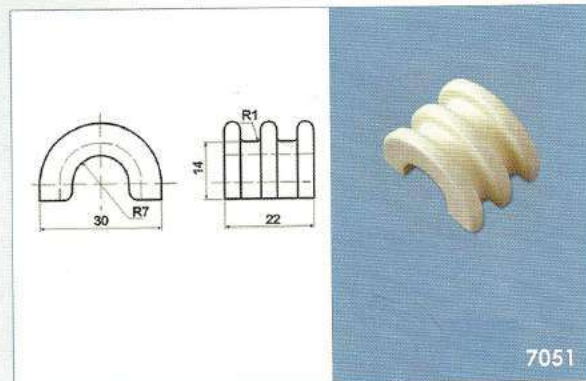
7047



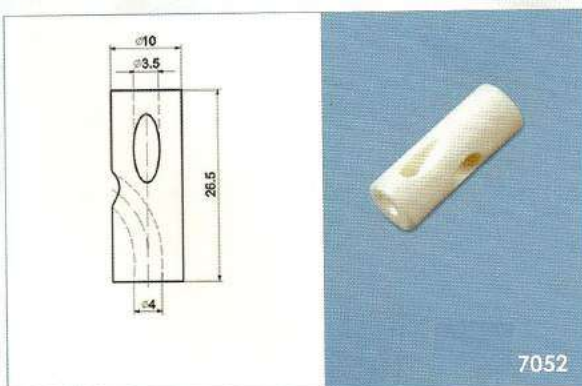
7048



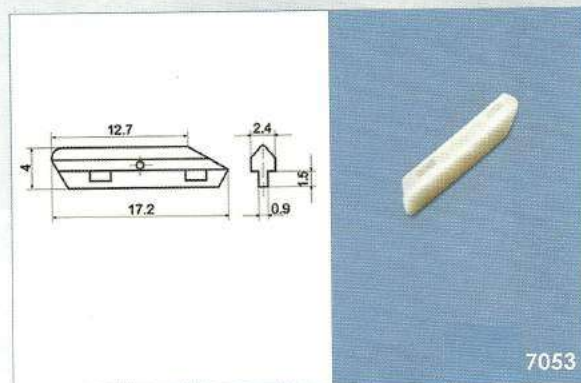
7050



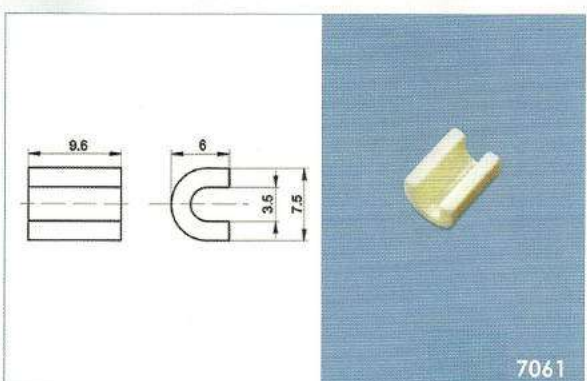
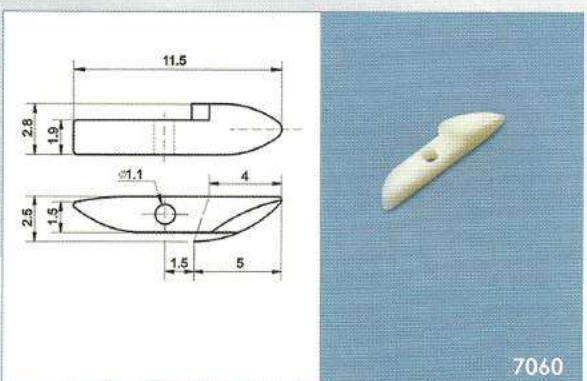
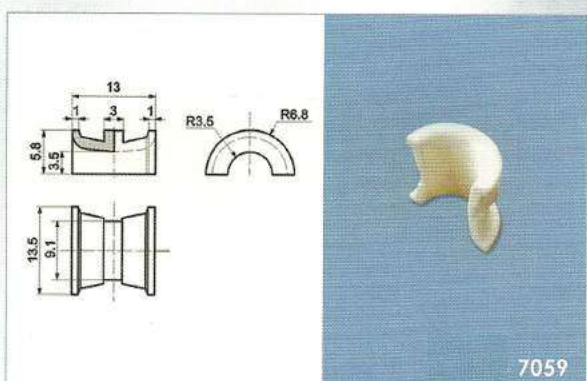
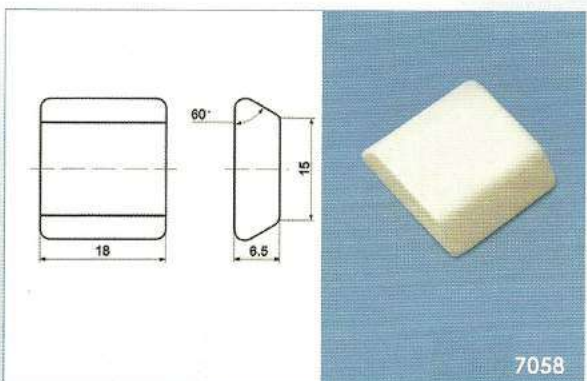
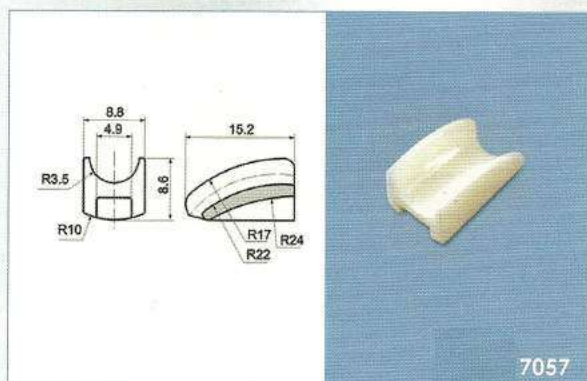
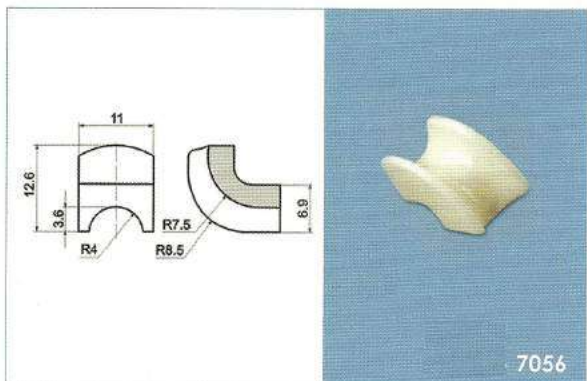
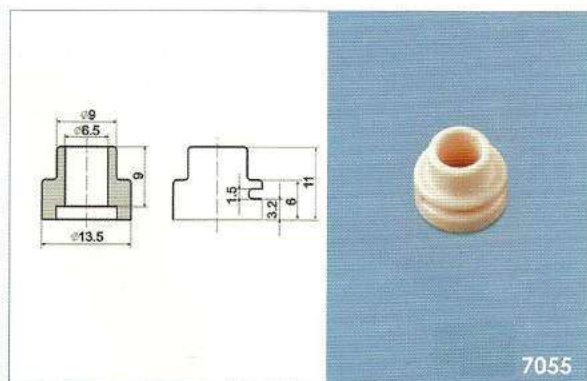
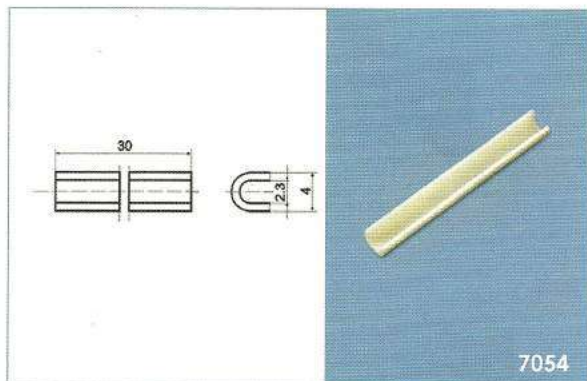
7051

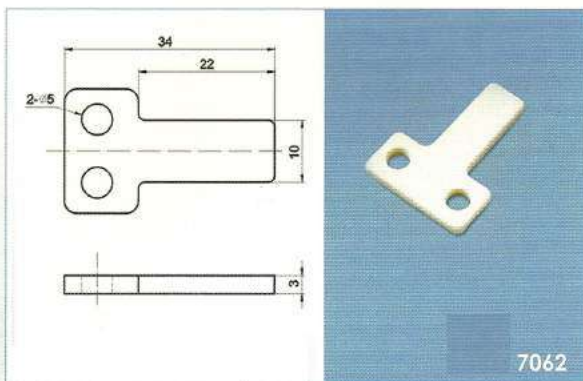


7052

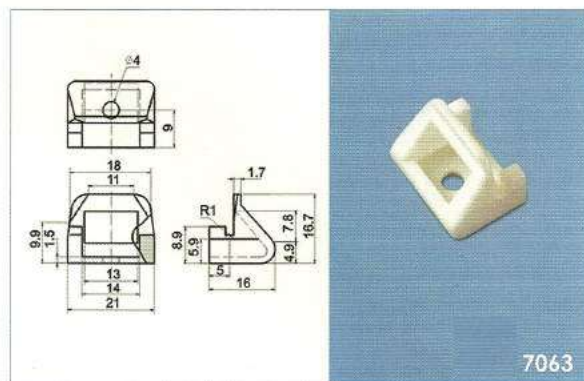


7053

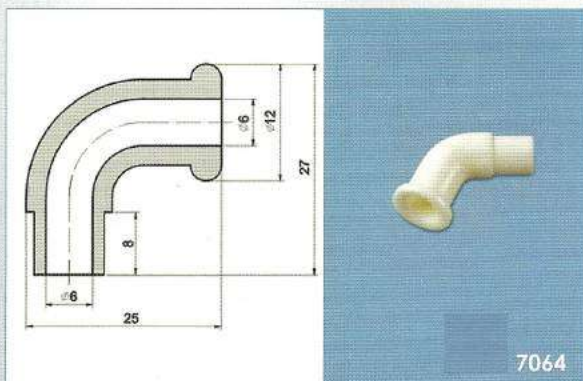




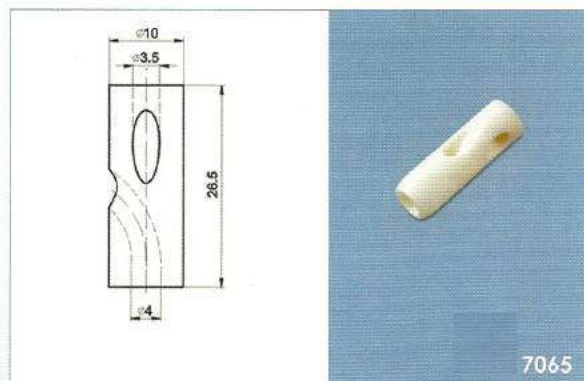
7062



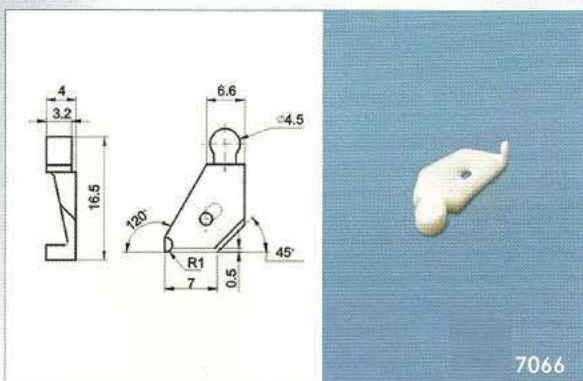
7063



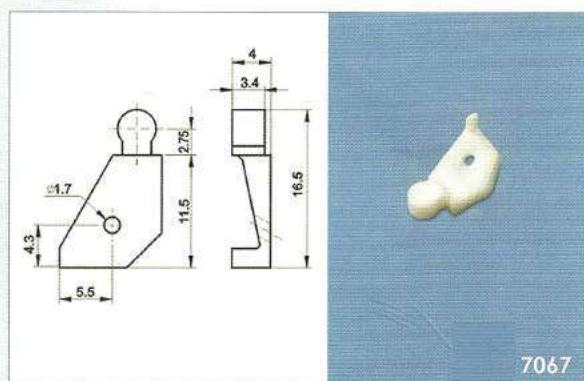
7064



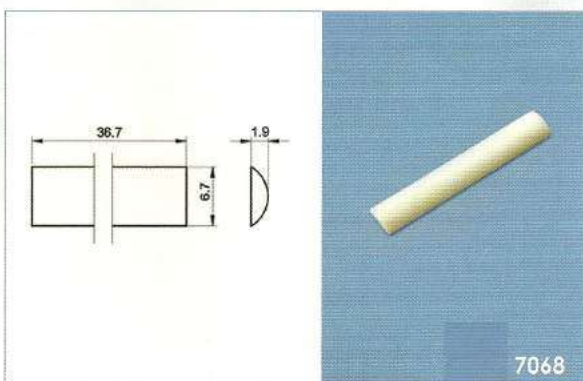
7065



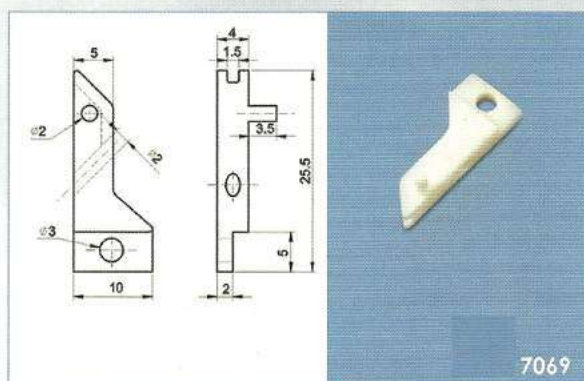
7066



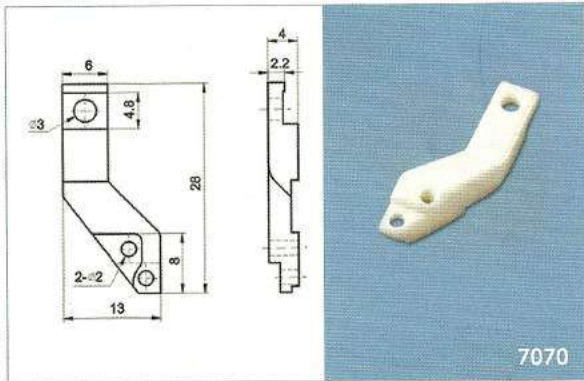
7067



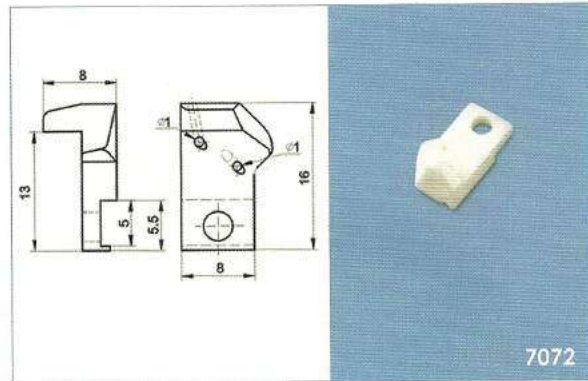
7068



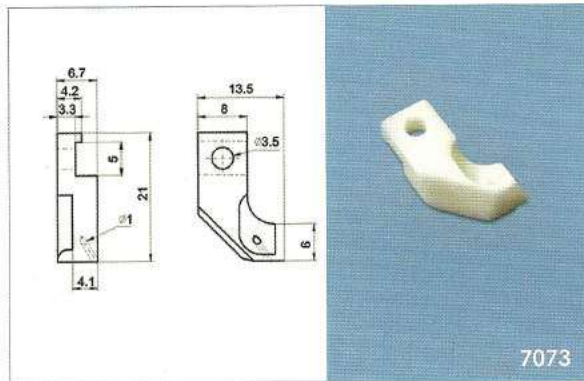
7069



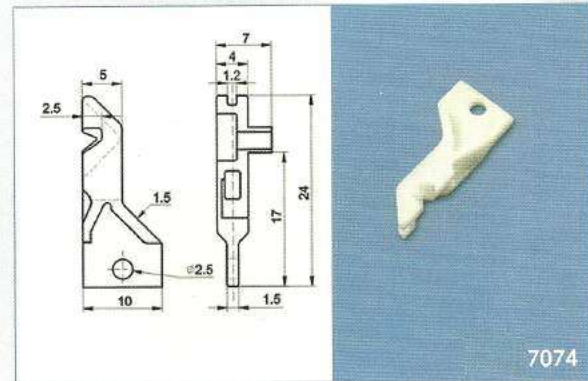
7070



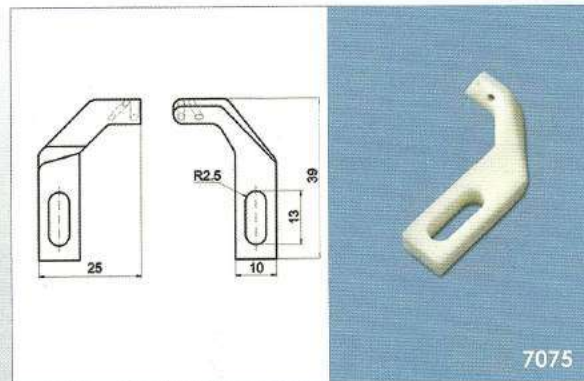
7072



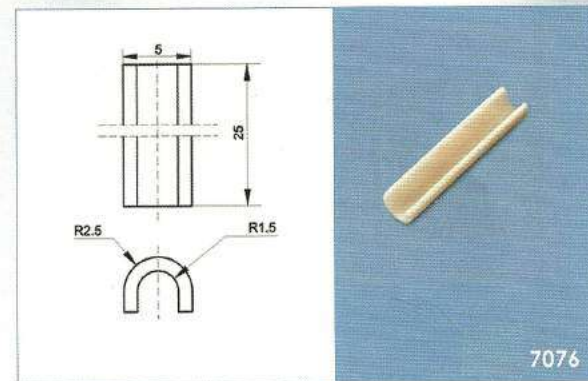
7073



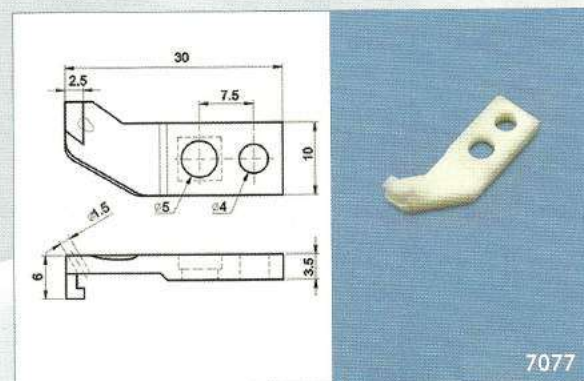
7074



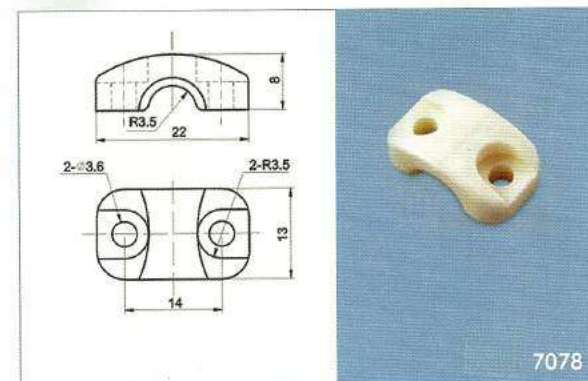
7075



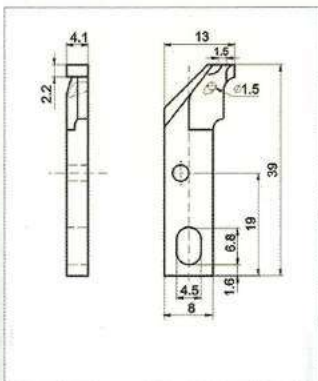
7076



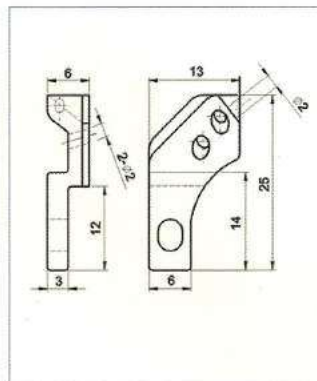
7077



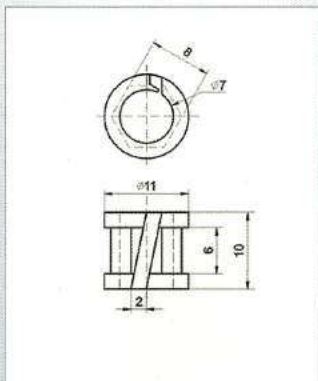
7078



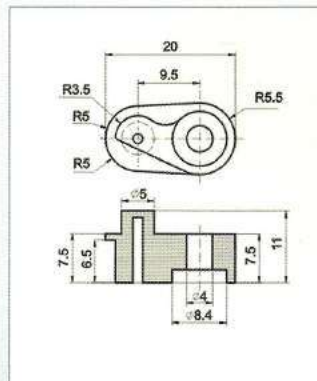
7079



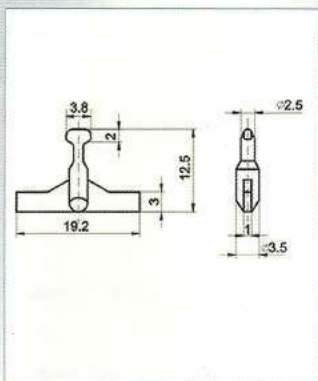
7080



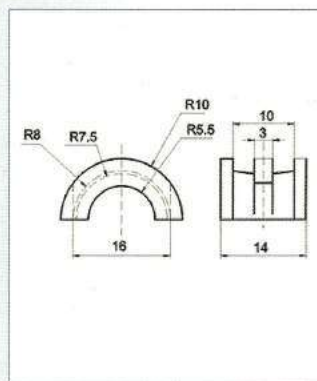
7081



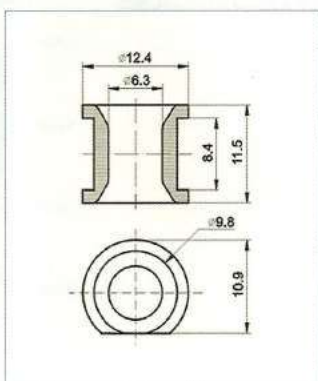
7082



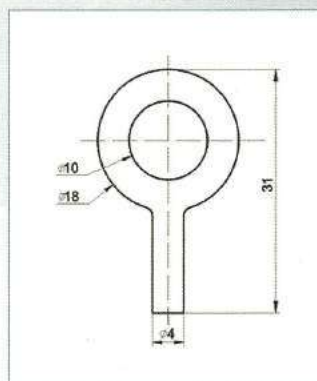
7083



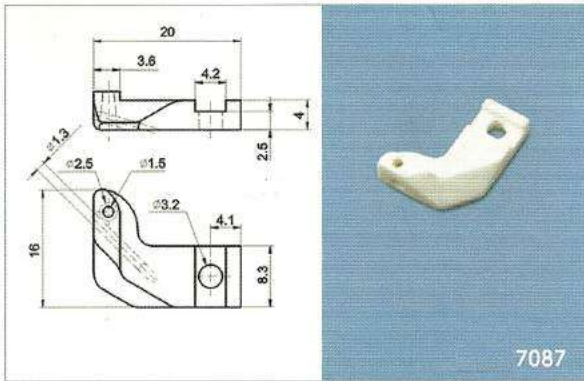
7084



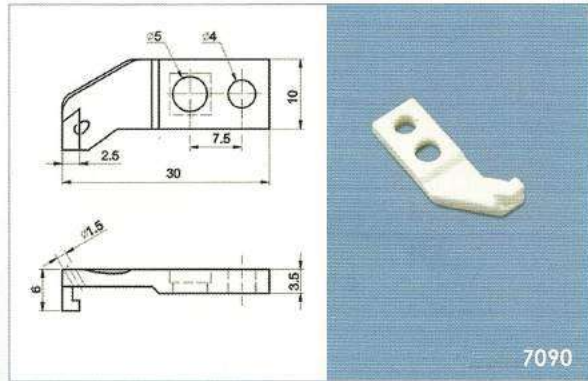
7075



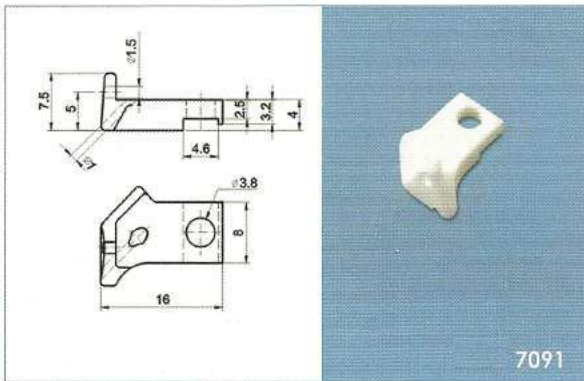
7086



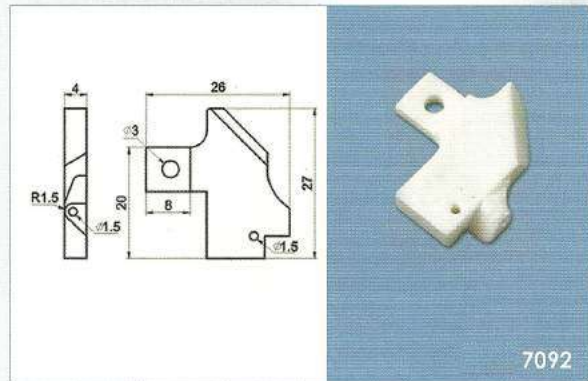
7087



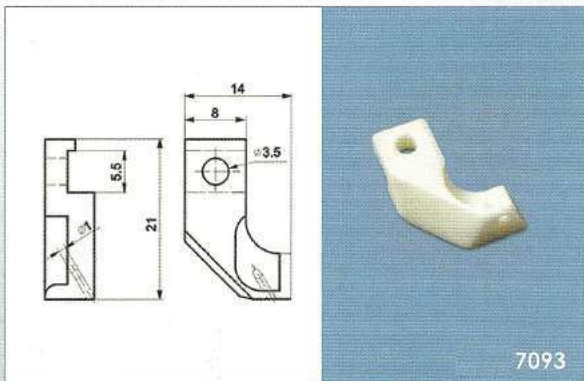
7090



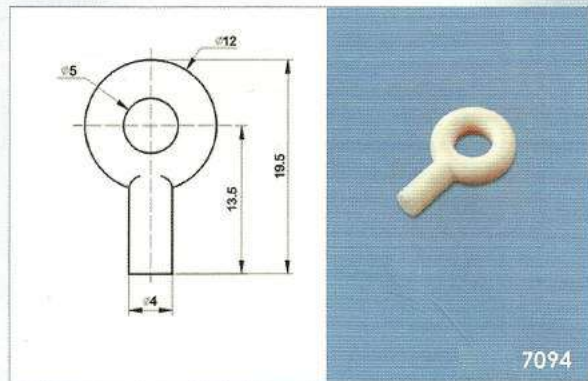
7091



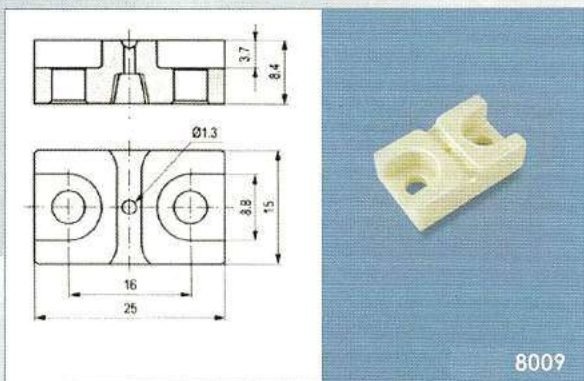
7092



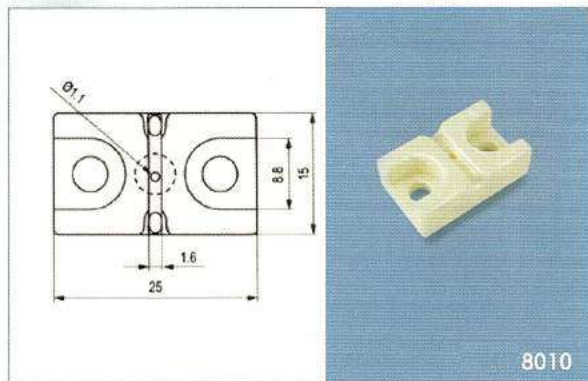
7093



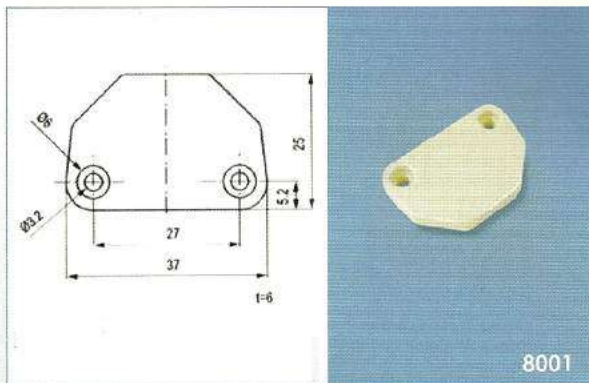
7094



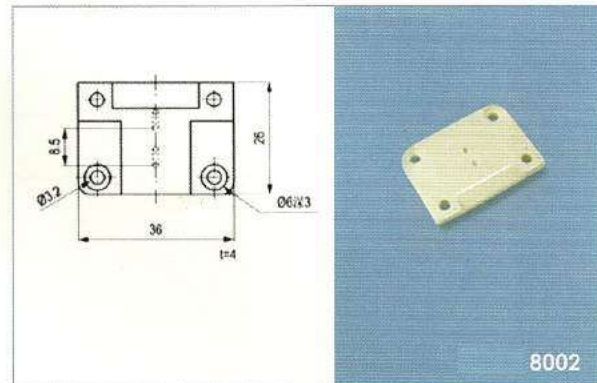
8009



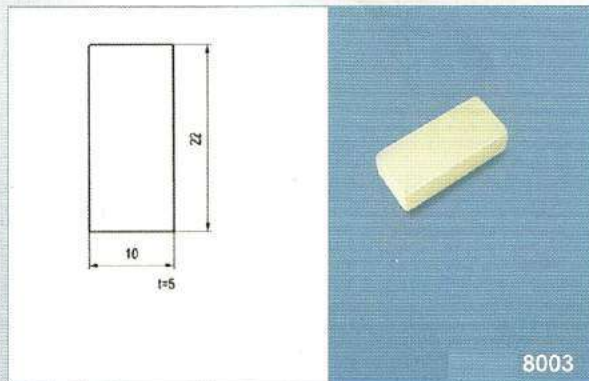
8010



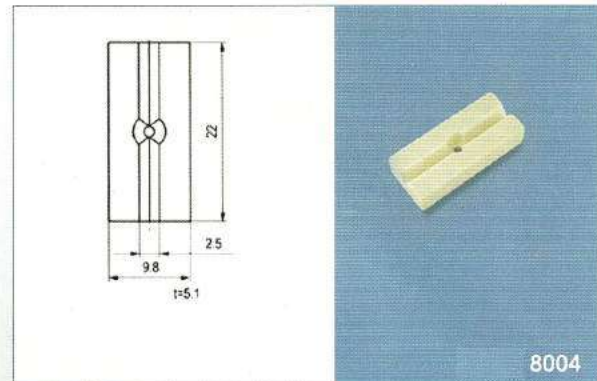
8001



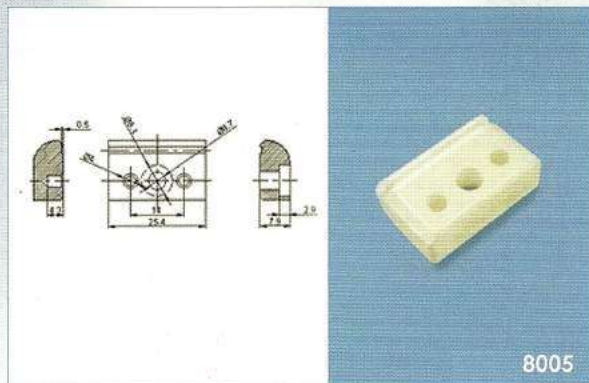
8002



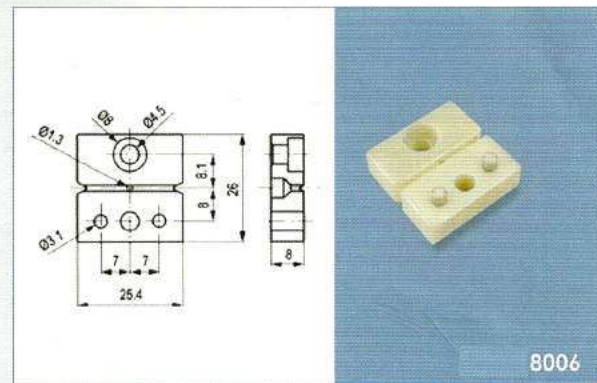
8003



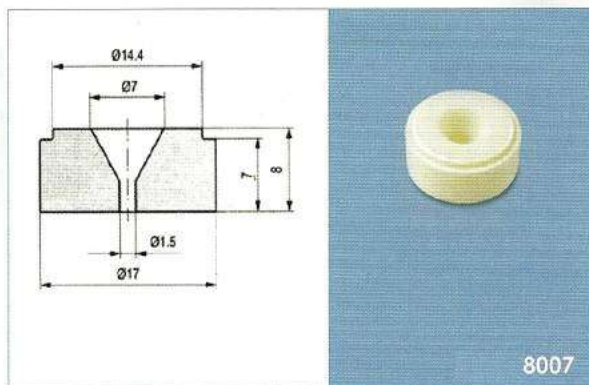
8004



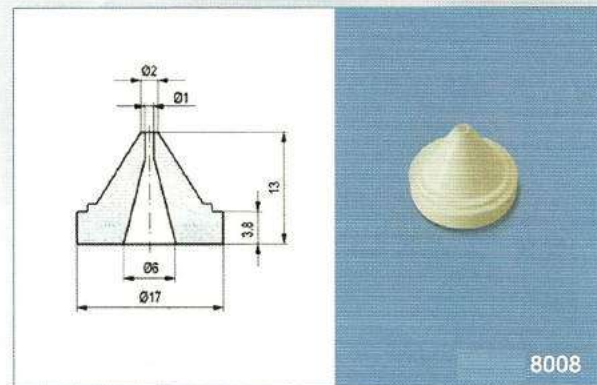
8005



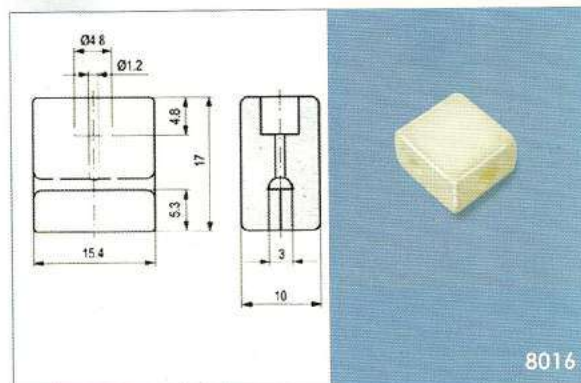
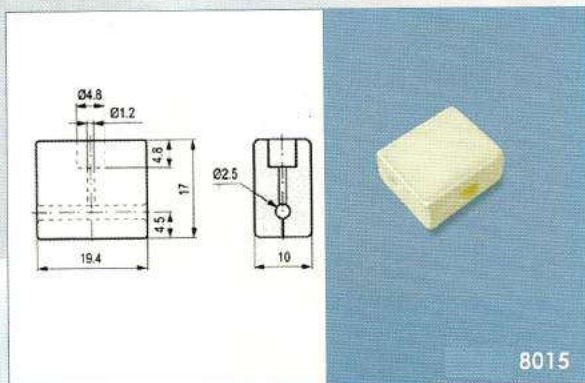
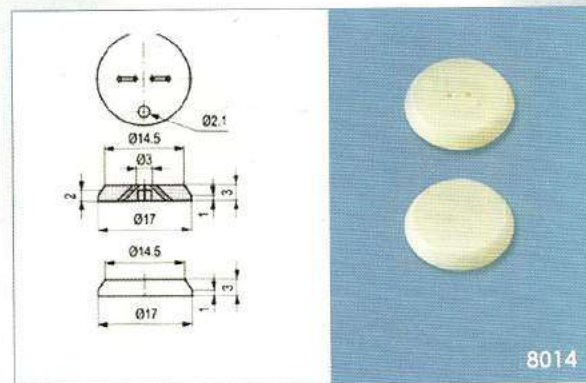
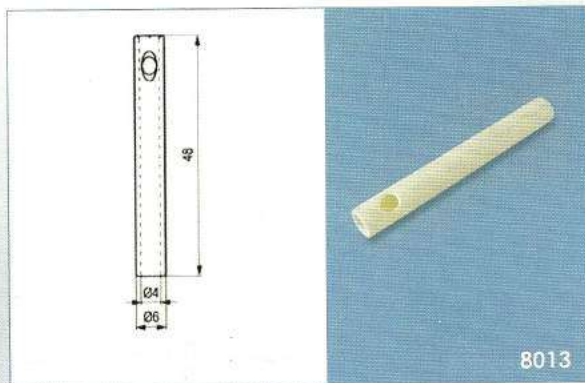
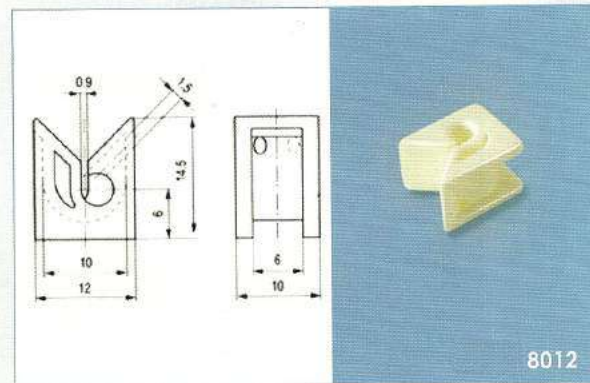
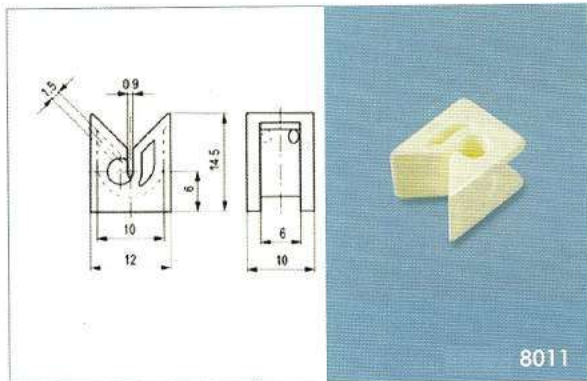
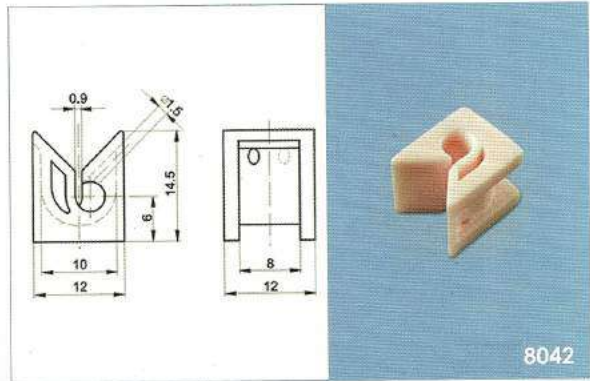
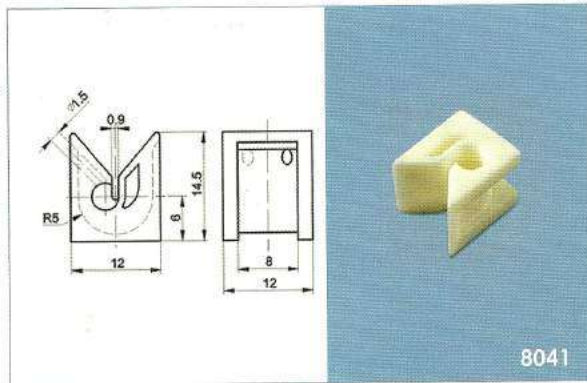
8006

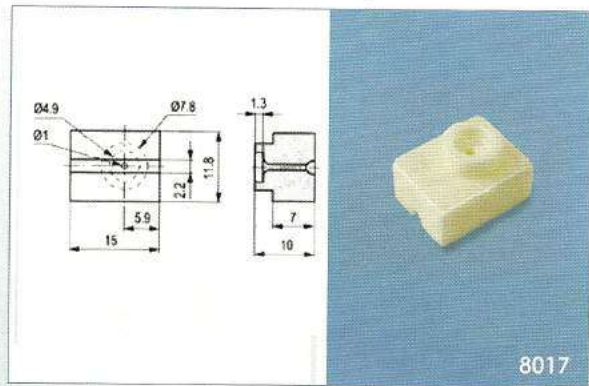


8007

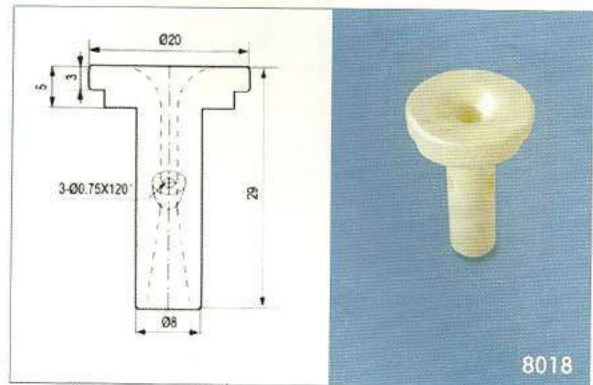


8008

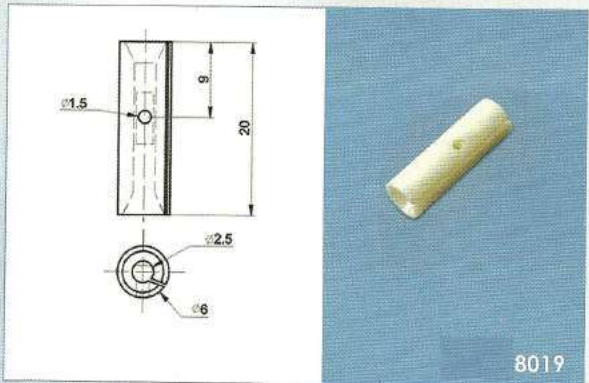




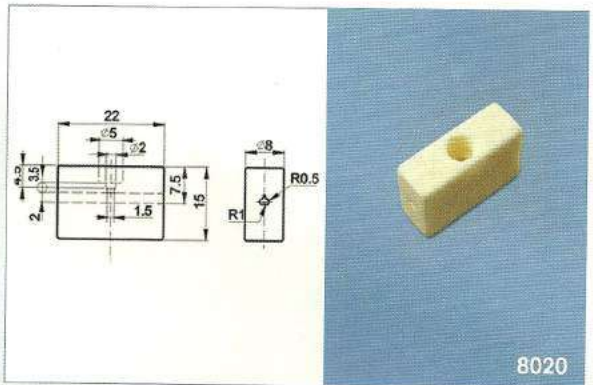
8017



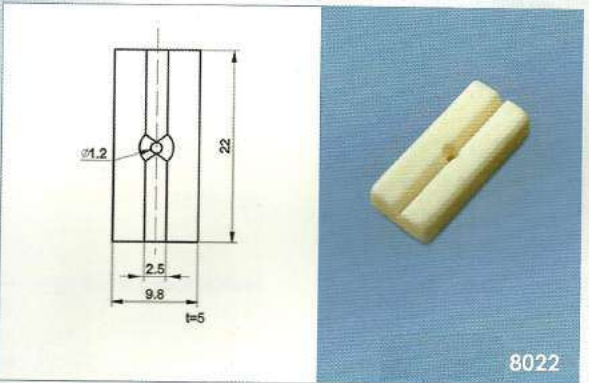
8018



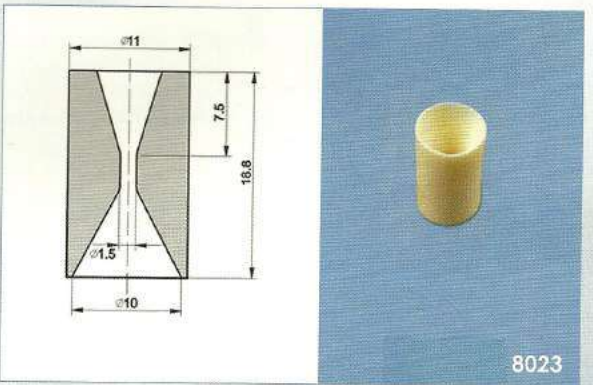
8019



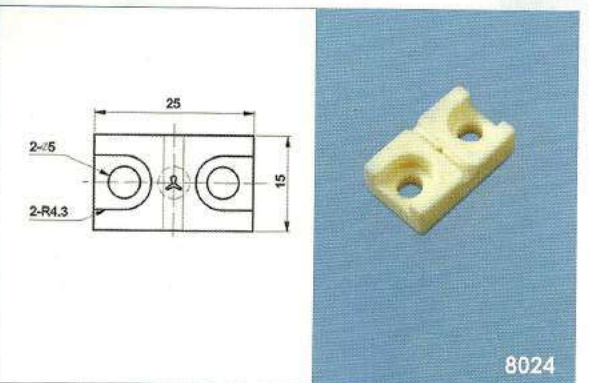
8020



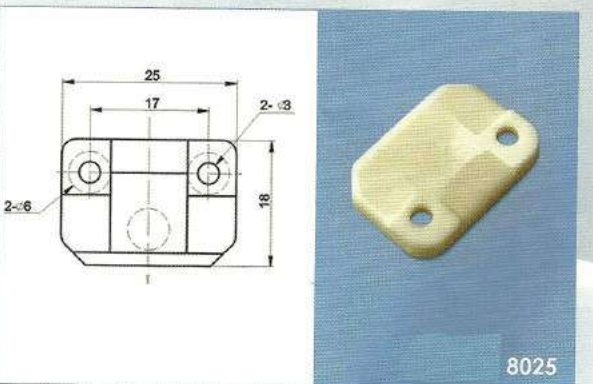
8022



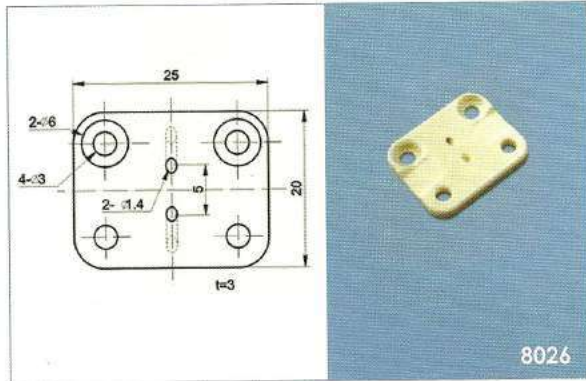
8023



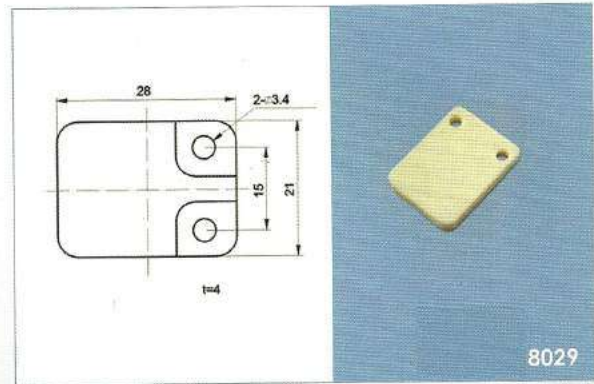
8024



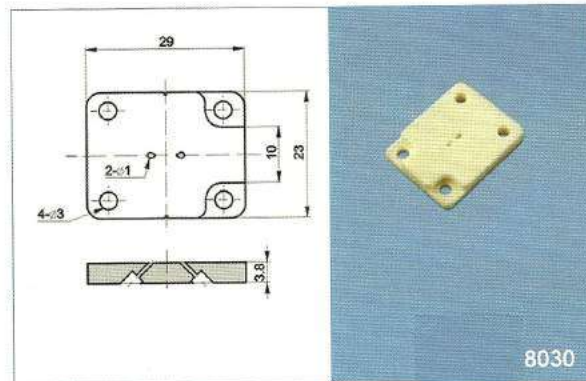
8025



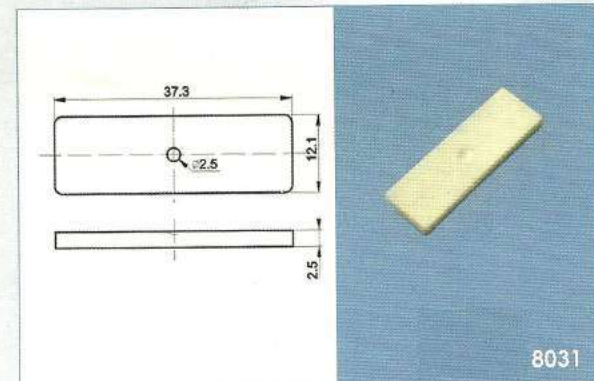
8026



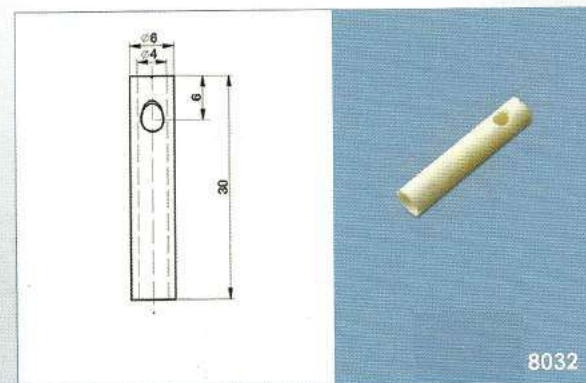
8029



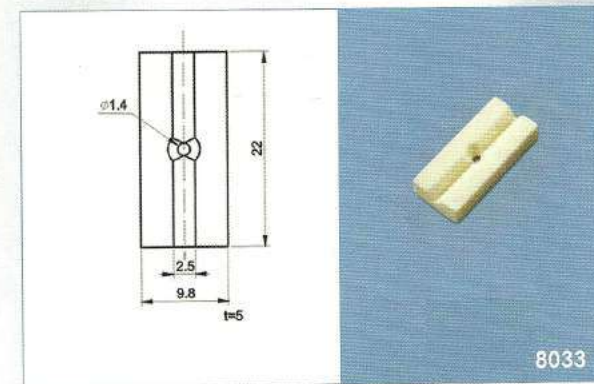
8030



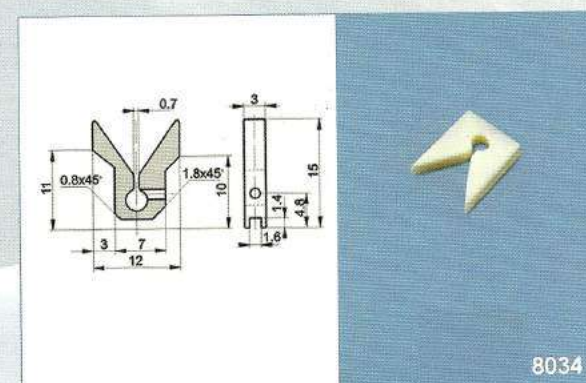
8031



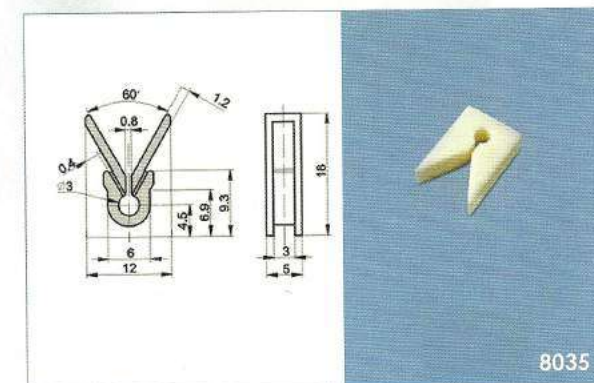
8032



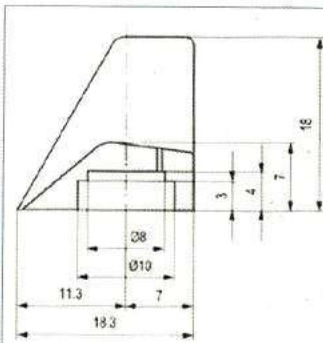
8033



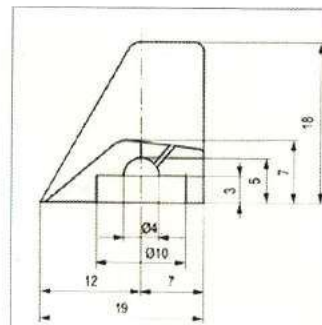
8034



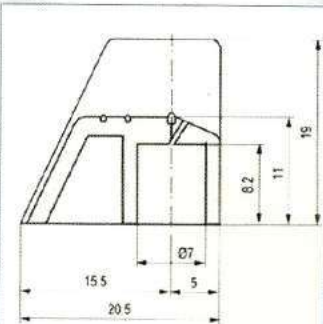
8035



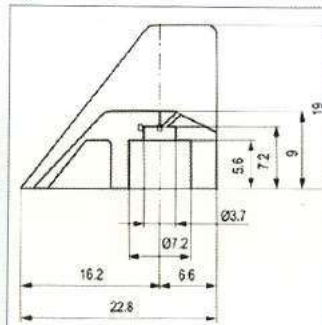
9001



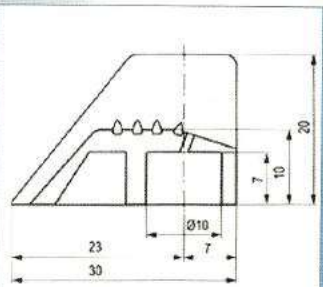
9002



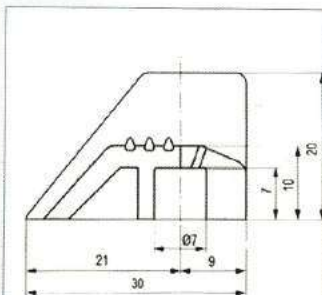
9003



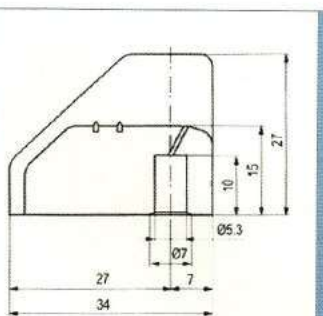
9004



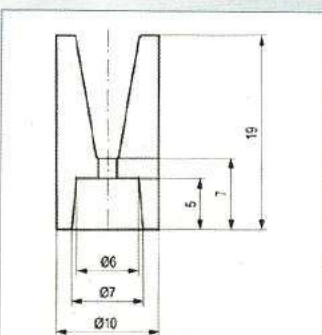
9005



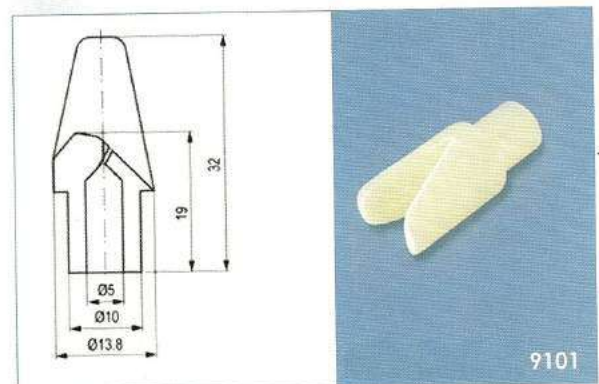
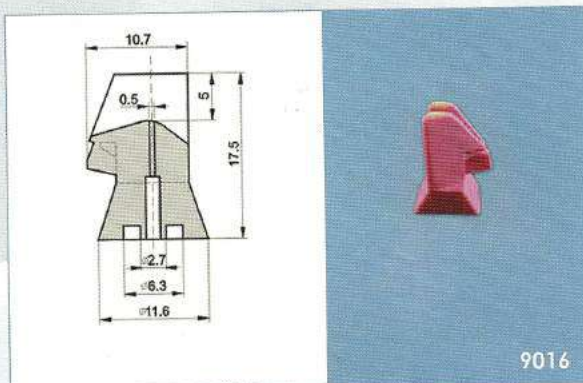
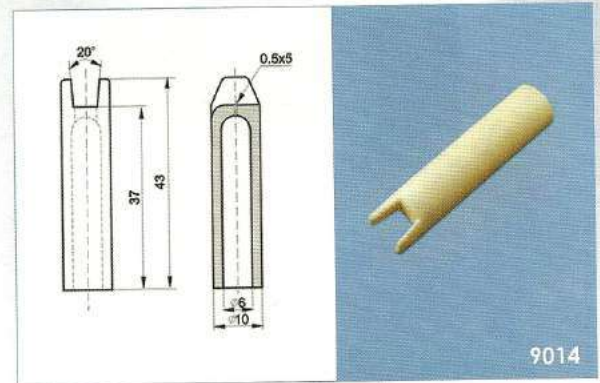
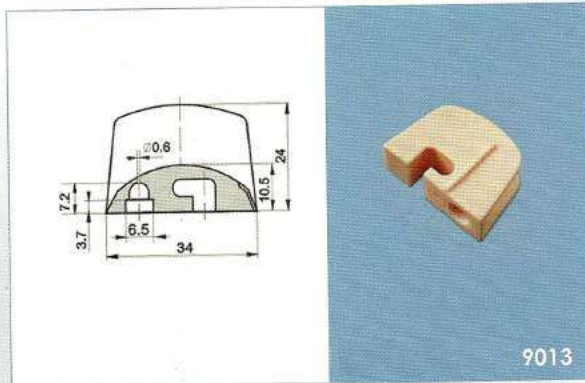
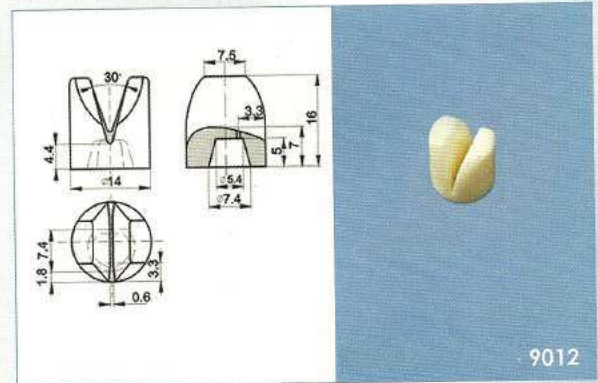
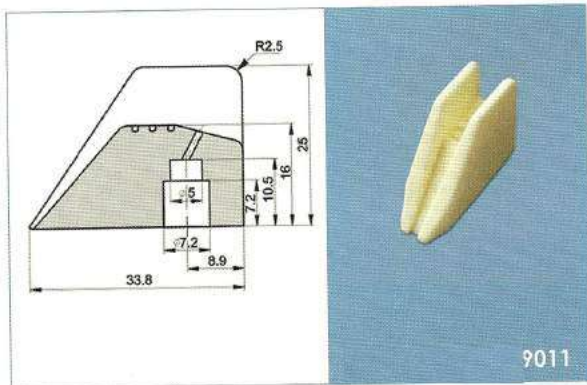
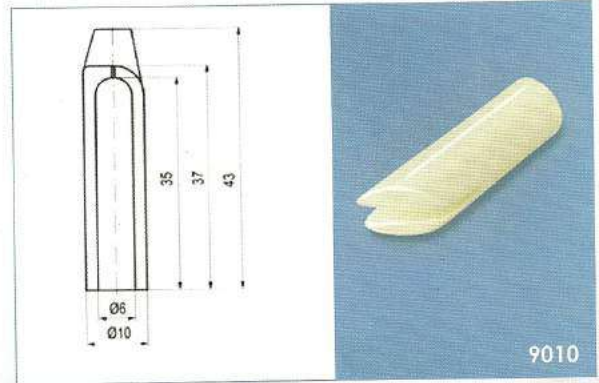
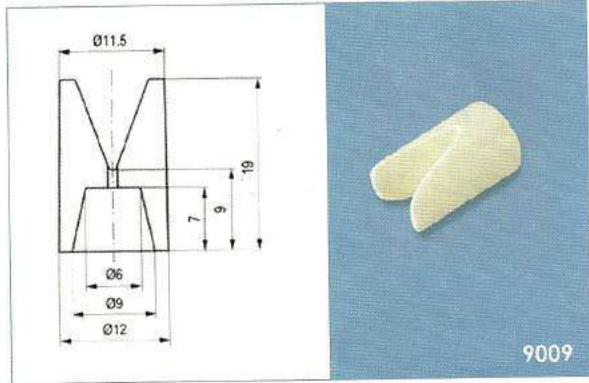
9006

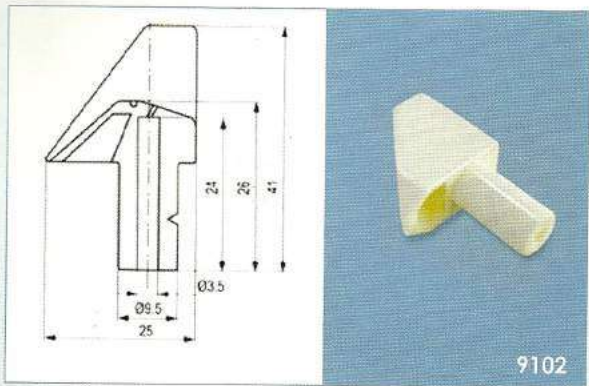


9007

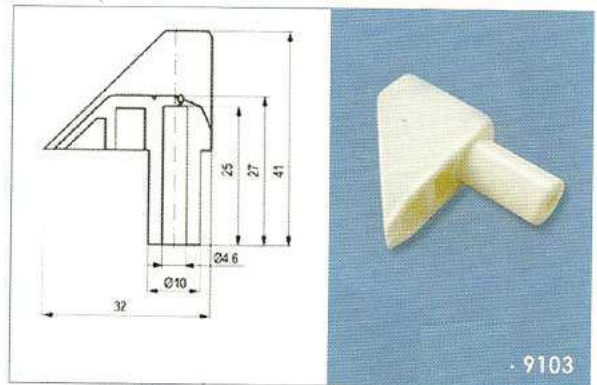


9008

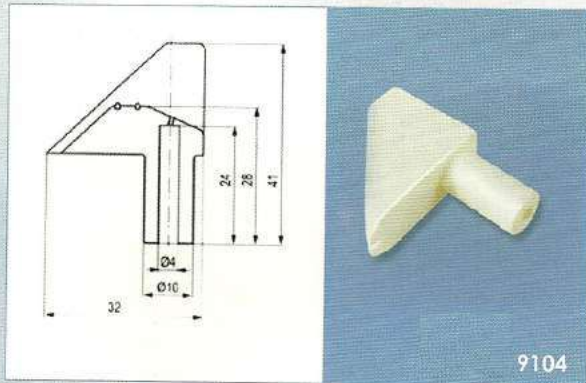




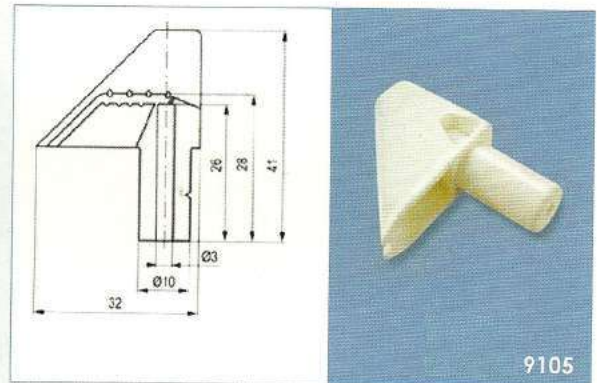
9102



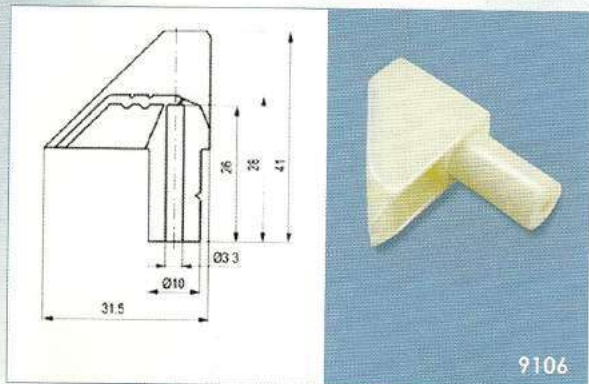
9103



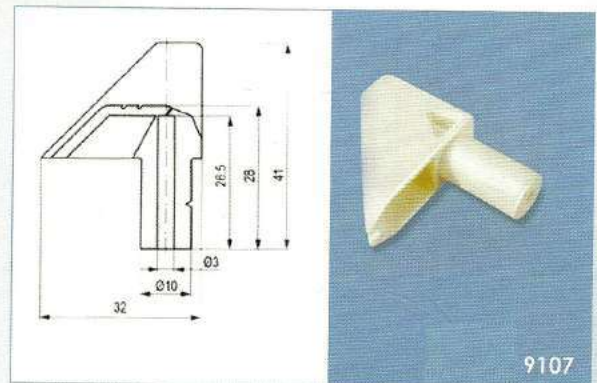
9104



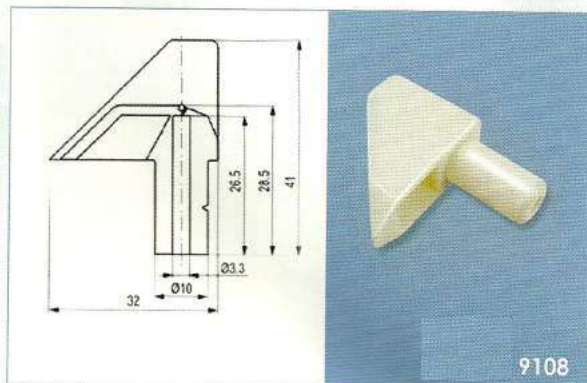
9105



9106



9107



9108

